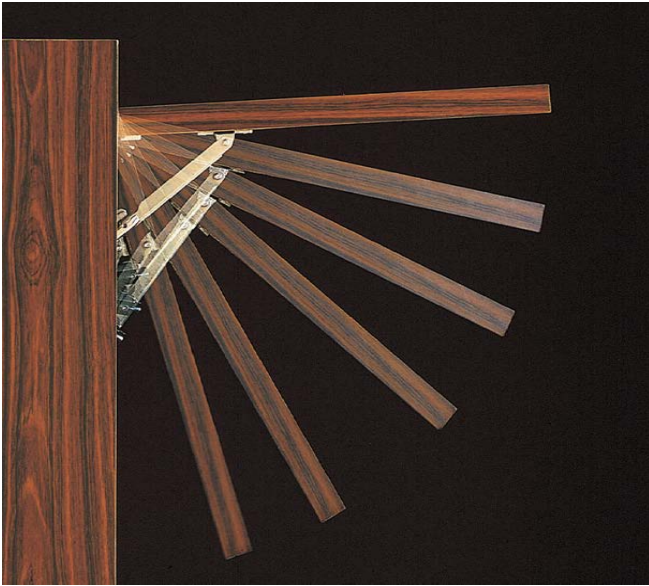


ADJUSTABLE SOFT-DOWN STAY



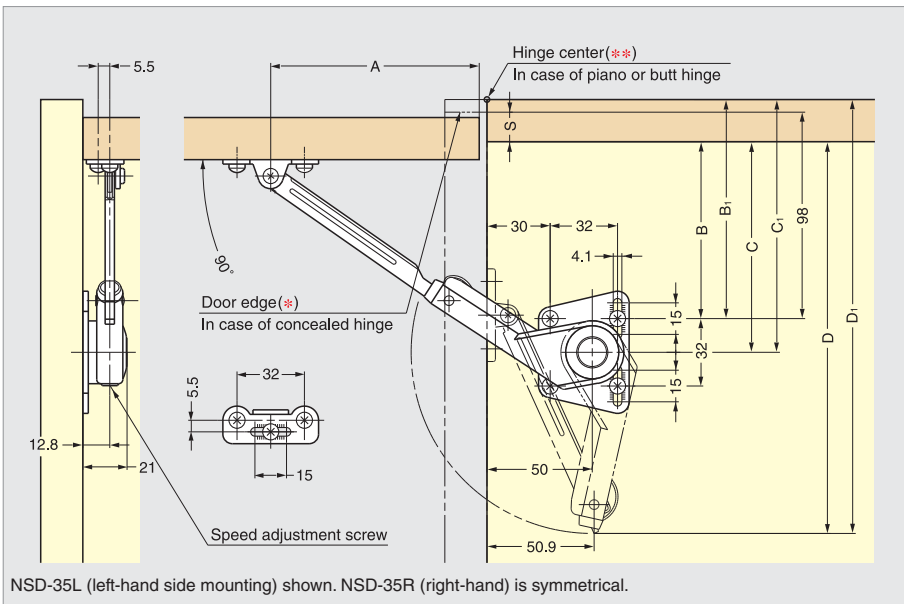
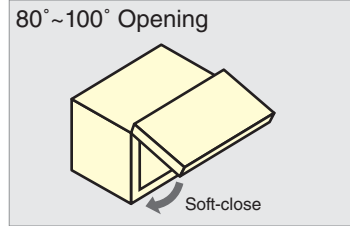
NSD-35



■ Features

- For upward-opening flap doors.
- Can be used with concealed, piano, or butt hinges.
- Opening angle adjustable from 80° to 100°.
- Designed to hold the door in fully opened position.
- Two stop version (holds the door at 65° and 90°) also available.
- Successfully passed for the 50,000 open/close private cycle test.
- Closing speed adjustable.
- Torque Calculation :
Torque = Door Height x 1/2 x Door Weight.
Per Piece : 20~70 kgf-cm.
Per Pair : 40~140 kgf-cm.

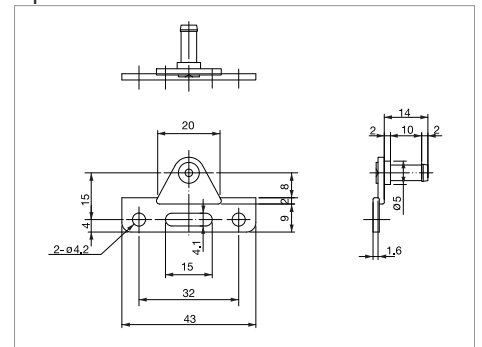
Material	Finish
Zinc Alloy, Steel	Bright Nickel



LID SUPPORTS

ADJUSTABLE SOFT-DOWN STAY

Optional Parts



NSDX-AZ (angle bracket) for 20 mm thickness aluminium frame.

Opening Angle	80°		90°		100°	
	Down		Middle		Up	
Position of Plates	Mounting Plate	Arm Bracket	Mounting Plate	Arm Bracket	Mounting Plate	Arm Bracket
For Hinge Center (Up) ↓ (Down)						

Hinge Type	A	B	C	D	B ₁	C ₁	D ₁
Concealed Hinge	99	98-S	114-S	200-S	-	-	-
Piano / Butt Hinge	93	-	-	-	92	108	194

Note: S = Overlay

Item Code	Item Name	Weight	Box	Carton
108-109-280	NSD-35R	210 g	20 pcs	80 pcs
108-109-279	NSD-35L	210 g	20 pcs	80 pcs

