

INSTALLATION INSTRUCTIONS

TOPAZ SLIMLINE DRAWER SYSTEM – H86

Australia

1800 008 591 ■ www.artia.com.au

VICTORIA:
235 Settlement Road,
Thomastown VIC 3074

NEW SOUTH WALES:
Unit 1/429 Victoria Street,
Wetherill Park NSW 2164

QUEENSLAND:
Building 2/660 MacArthur
Avenue, Pinkenba QLD 4008

SOUTH AUSTRALIA:
13 Rosberg Road,
Wingfield SA 5013

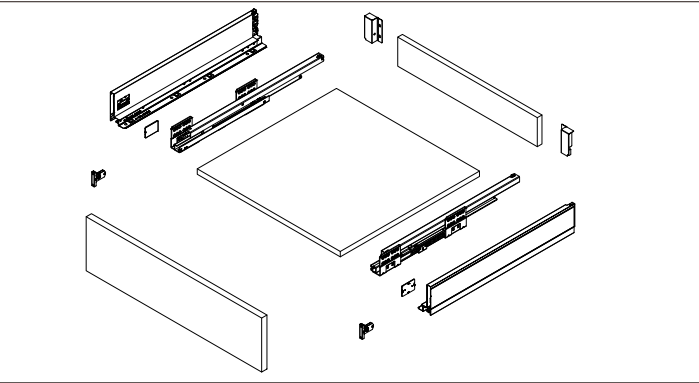
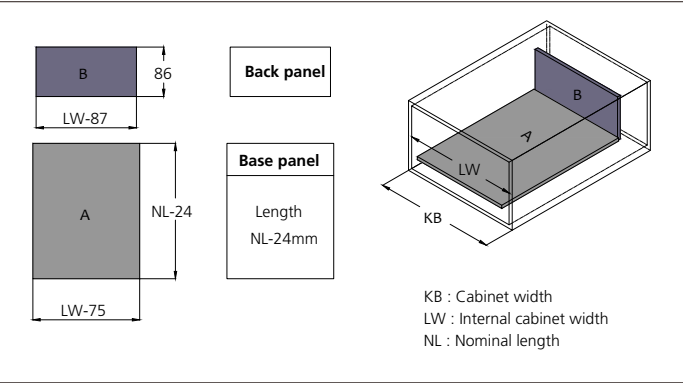
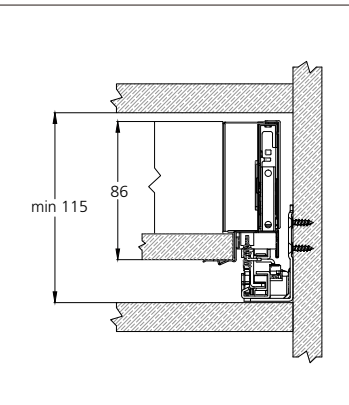
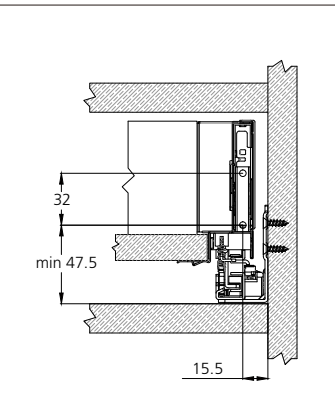
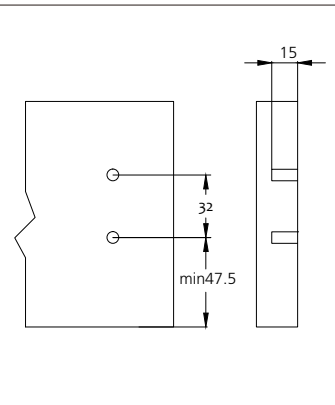
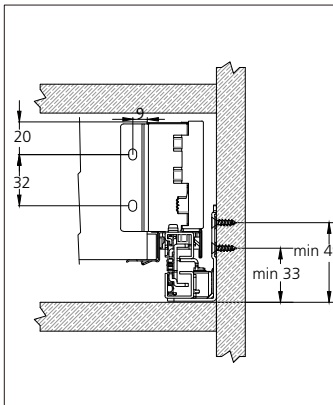
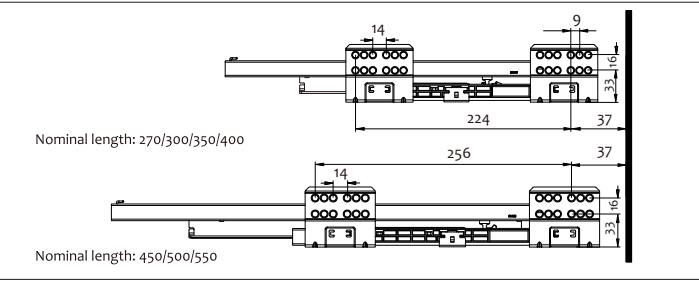
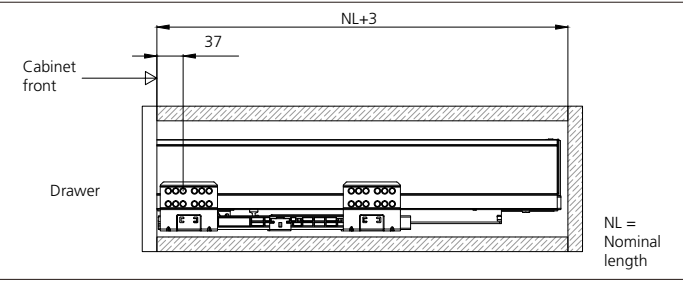
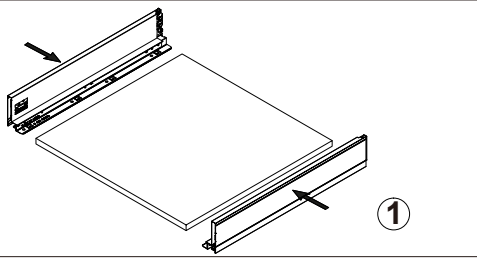
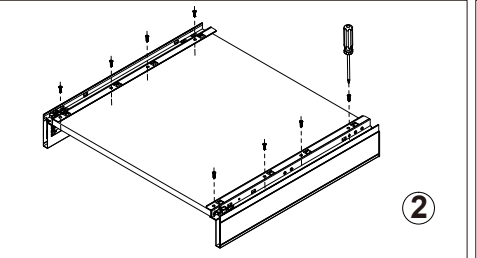
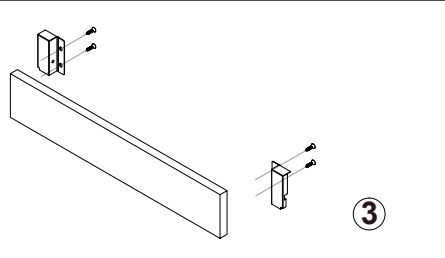
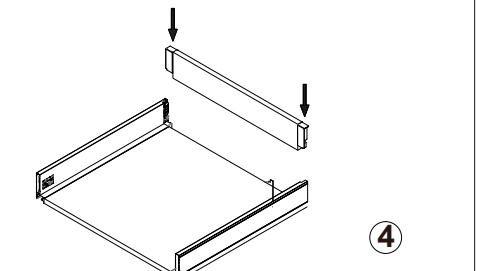
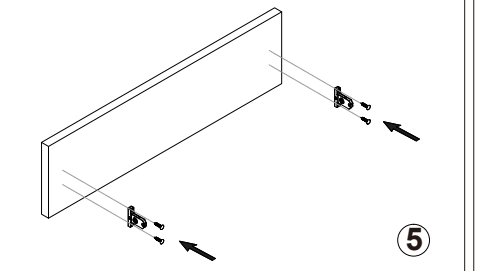
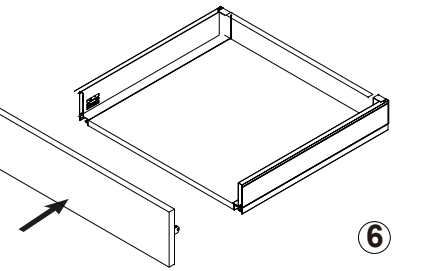
WESTERN AUSTRALIA:
Unit 1B/15 Hector Street,
Osborne Park WA 6017

New Zealand

0800 267 625 ■ www.artia.co.nz

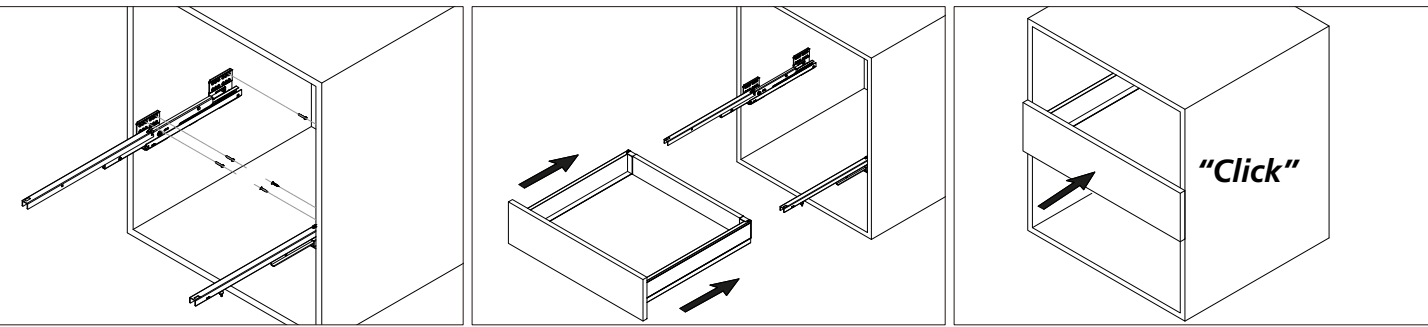
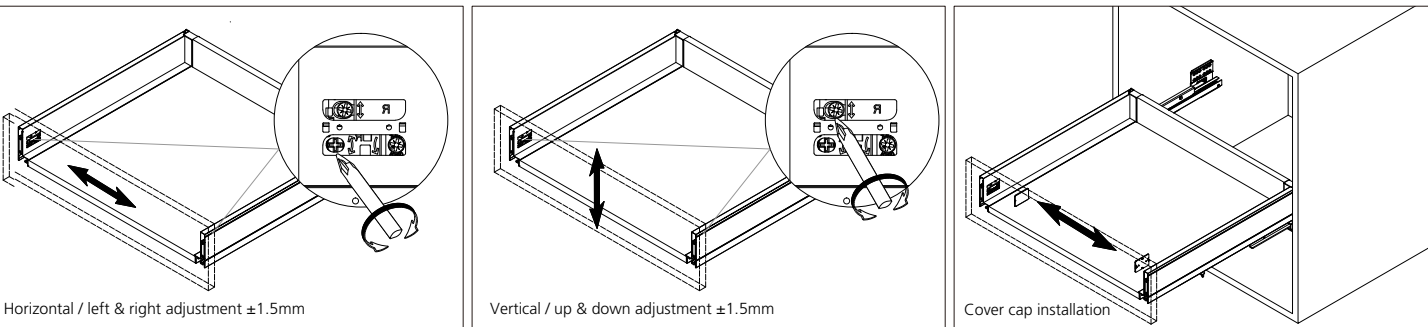
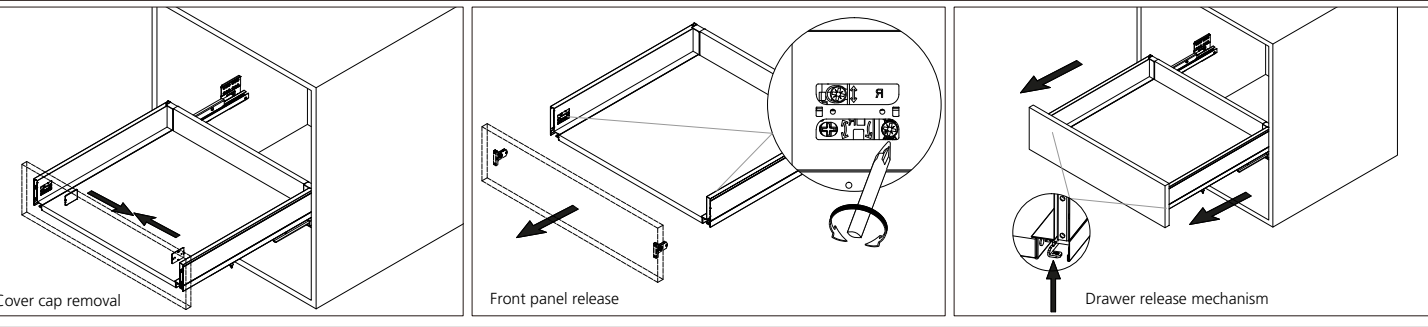
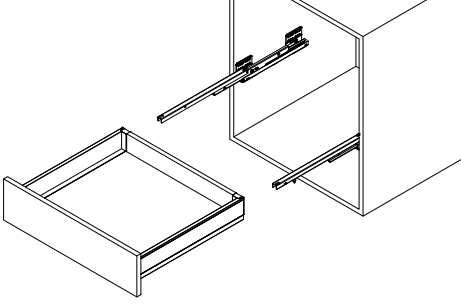
AUCKLAND:
11 Bruce Roderick Drive,
East Tamaki, Auckland 2013

CHRISTCHURCH:
117 Wrights Road,
Addington, Christchurch 8024

Basic components 		Cutting dimensions for 16mm board  <p>KB : Cabinet width LW : Internal cabinet width NL : Nominal length</p>	
Cabinet space requirements 	Mounting dimensions Front brackets 	Drilling dimensions Front panel 	Mounting dimensions Back panel 
Slide mounting hole distances 		Carcase mounting dimensions 	
Drawer assembly			
 <p>①</p>	 <p>②</p>	 <p>③</p>	 <p>④</p>
 <p>⑤</p>	 <p>⑥</p>		

KB = Cabinet width | LW = Internal cabinet width | NL = Nominal length

All dimensions in millimetres

Drawer installation 		
Drawer front adjustment  <p>Horizontal / left & right adjustment ±1.5mm Vertical / up & down adjustment ±1.5mm Cover cap installation</p>		
Drawer disassembly  <p>Cover cap removal Front panel release Drawer release mechanism</p>		
Drawer removal 		

Technical information only. Component parts for different drawer types or configurations to be ordered as required.



NZ: 0800 267 625 ■ www.artia.co.nz

AUS: 1800 008 591 ■ www.artia.com.au