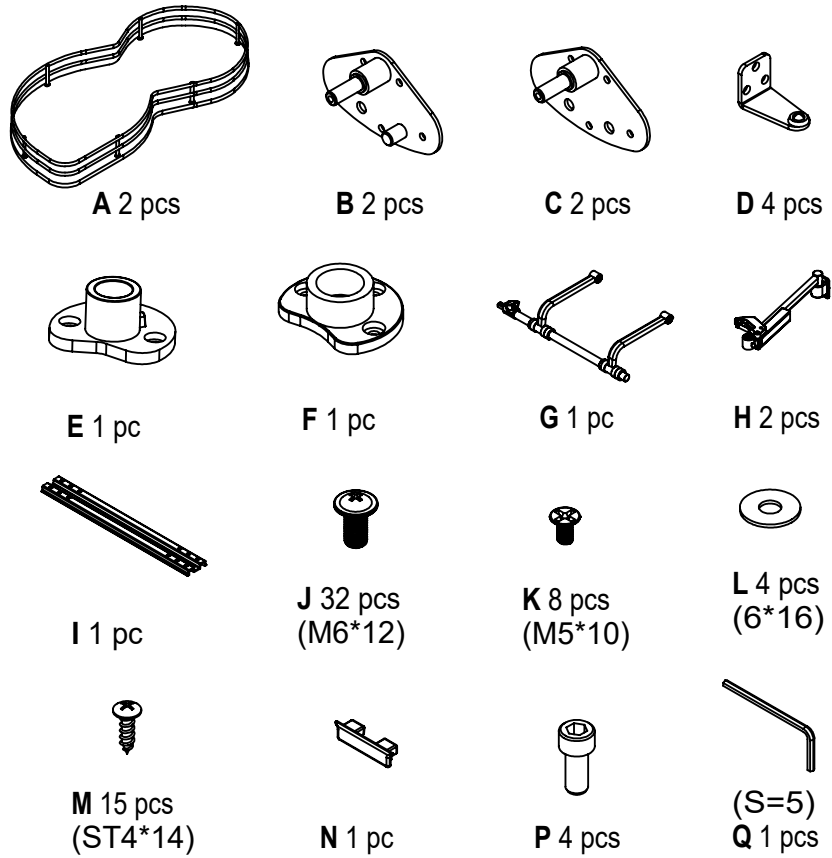
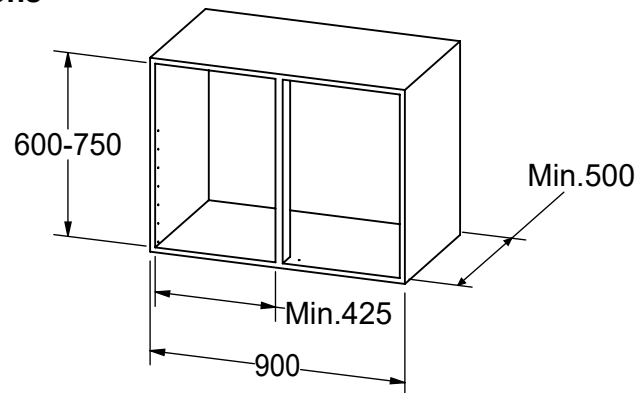


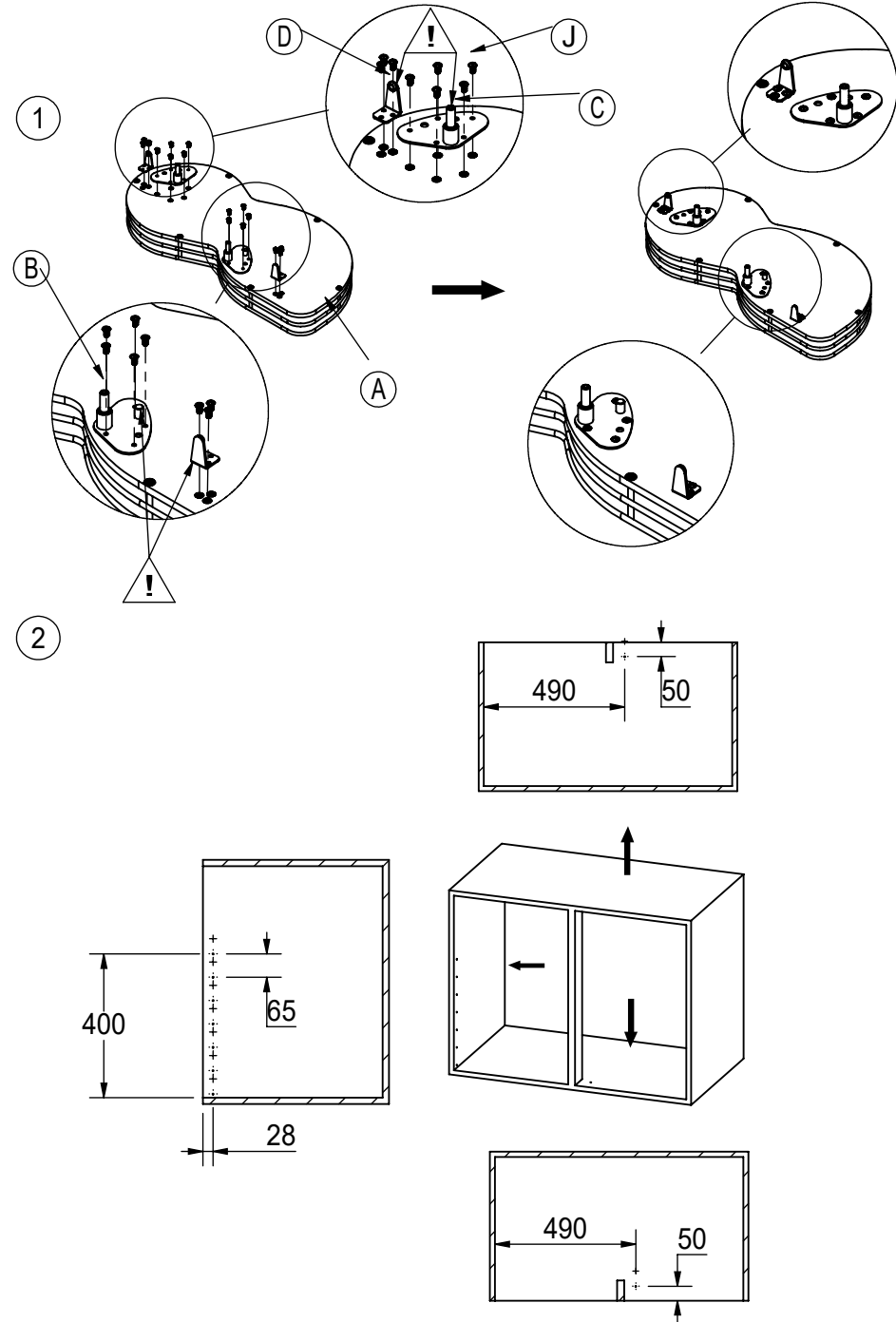
1. Components

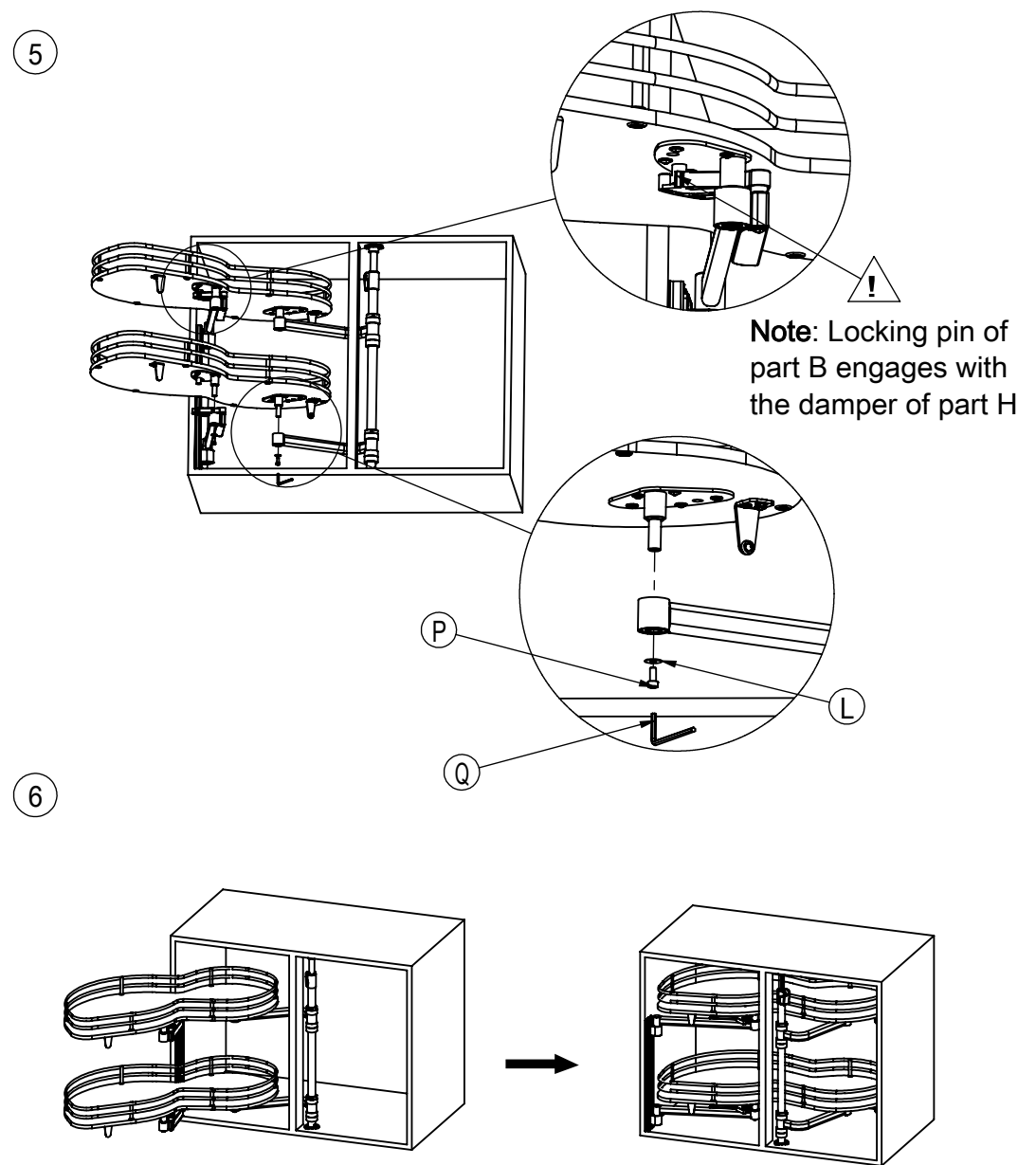
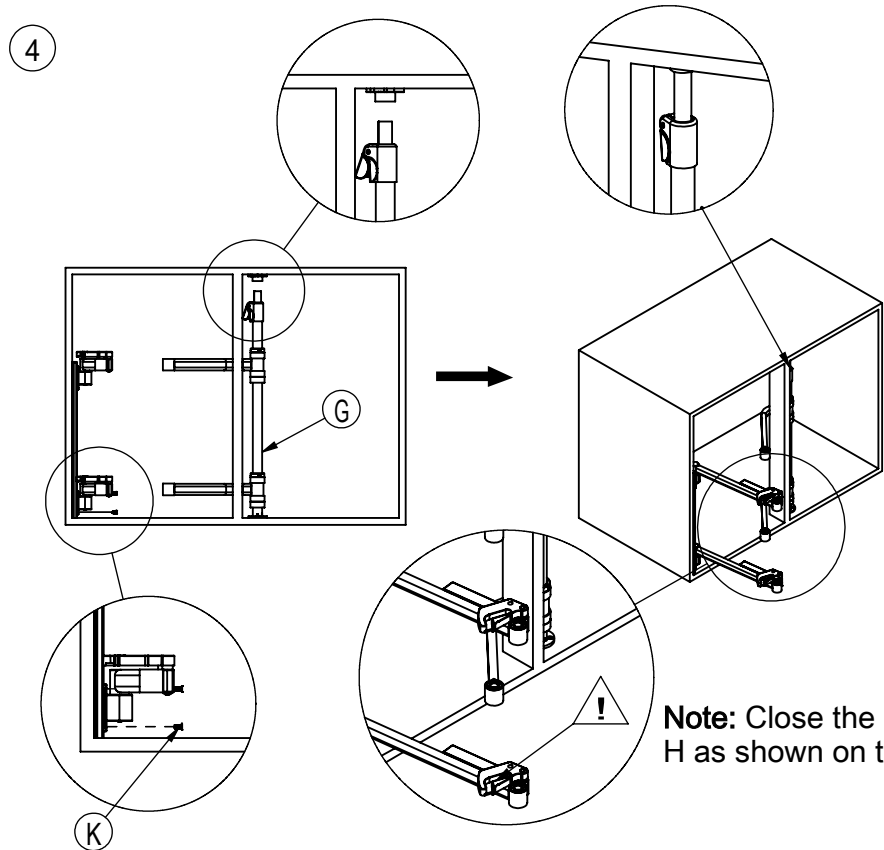
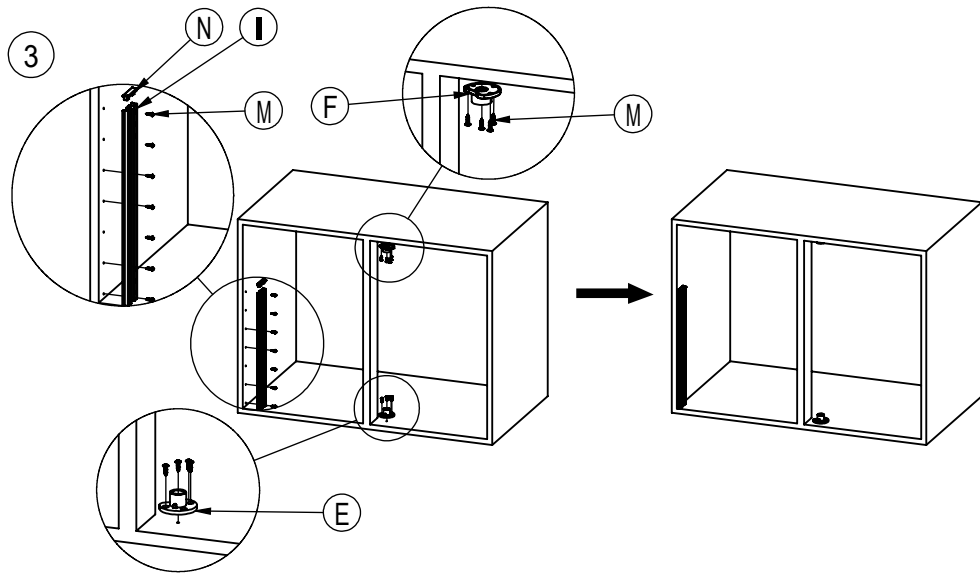


2. Dimensions



3. Installation





artia

CABINET HARDWARE SYSTEMS