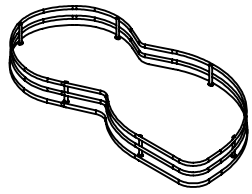
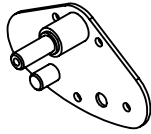


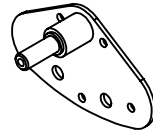
## 1. Components



**A** 2 pcs



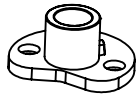
**B** 2 pcs



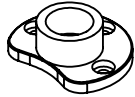
**C** 2 pcs



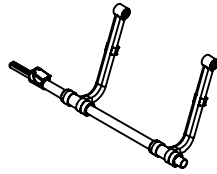
**D** 4 pcs



**E** 1 pc



**F** 1 pc



**G** 1 pc



**H** 2 pcs



**I** 1 pc



**J** 32 pcs  
(M6\*12)



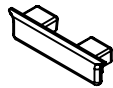
**K** 8 pcs  
(M5\*10)



**L** 4 pcs  
(6\*16)



**M** 15 pcs  
(ST4\*14)



**N** 1 pc

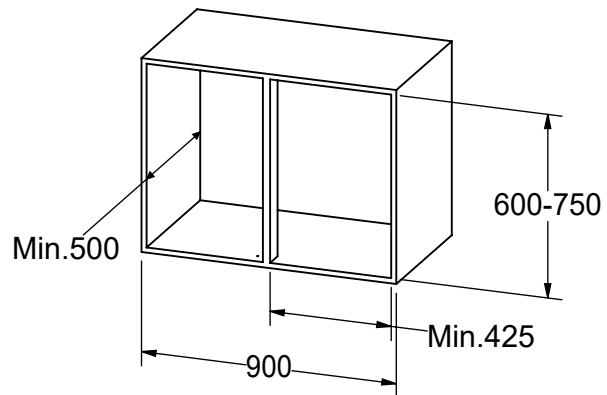


**P** 4 pcs

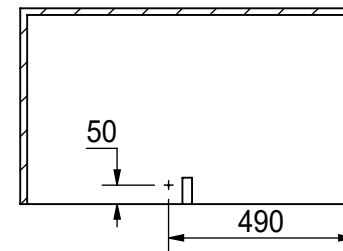
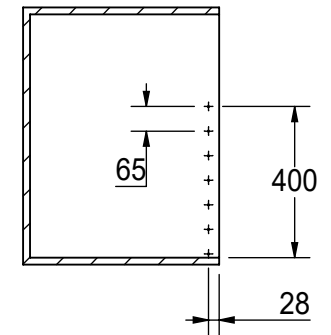
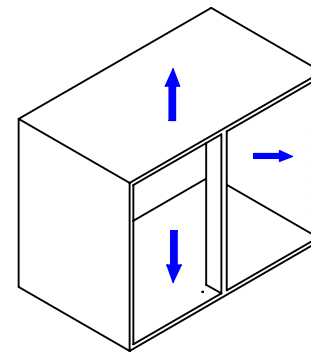
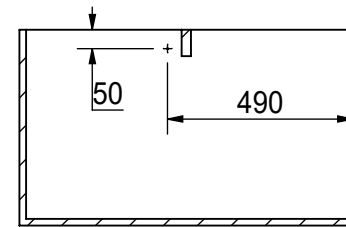
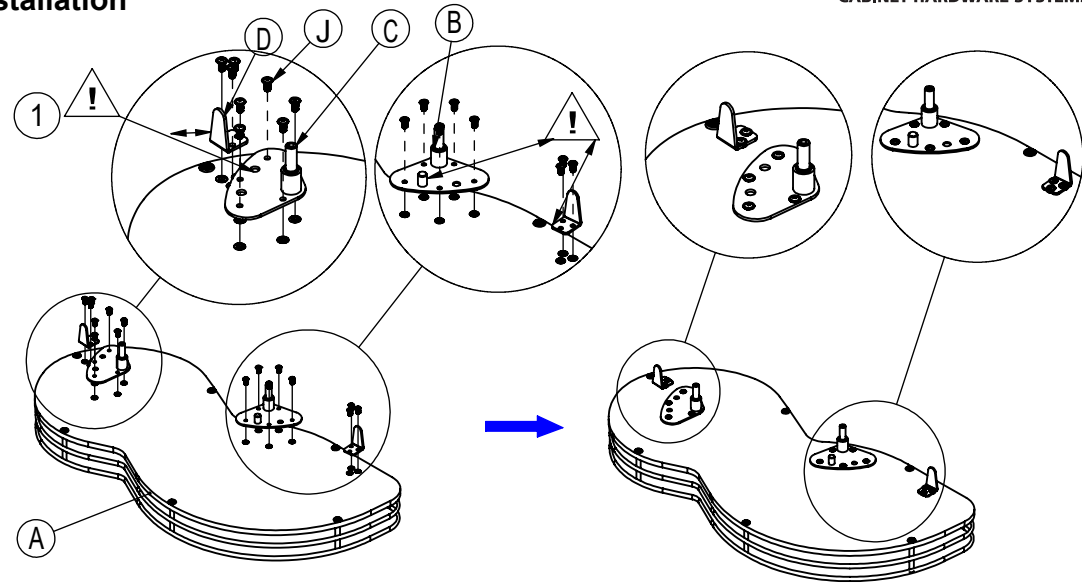


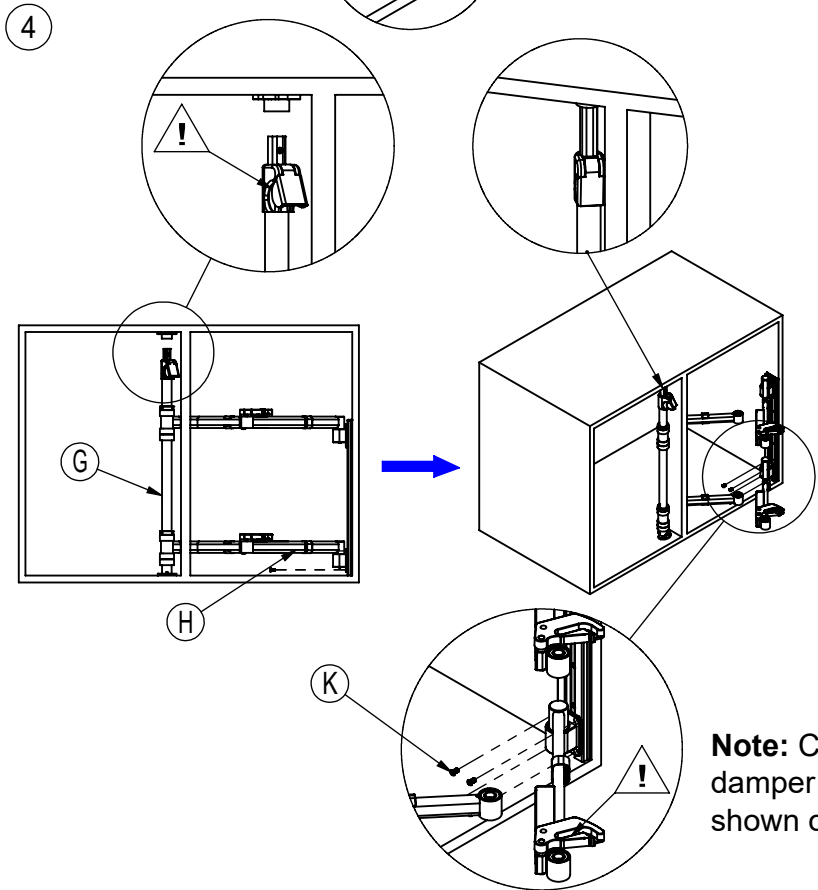
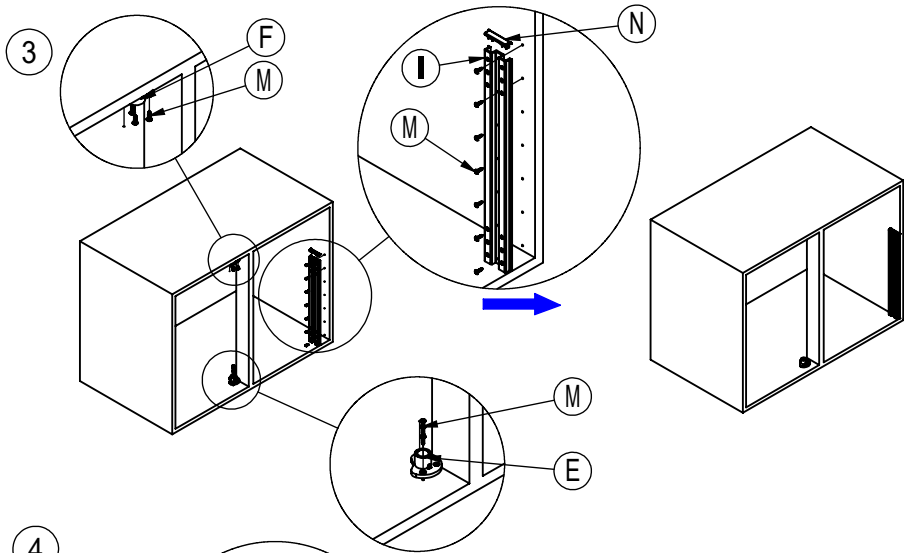
(S=5)  
**Q** 1 pc

## 2. Dimensions



## 3. Installation





**Note:** Close the damper of part H as shown on the left

