

INSTALLATION INSTRUCTIONS

ZAPPHYRE SOFT-CLOSE DRAWER SYSTEM

Australia

1800 008 591 ■ www.artia.com.au

VICTORIA:

235 Settlement Road,
Thomastown VIC 3074

NEW SOUTH WALES:

Unit 1/429 Victoria Street,
Wetherill Park NSW 2164

QUEENSLAND:

Building 2/660 MacArthur
Avenue, Pinkenba QLD 4008

SOUTH AUSTRALIA:

13 Rosberg Road,
Wingfield SA 5013

WESTERN AUSTRALIA:

Unit 1B/15 Hector Street,
Osborne Park WA 6017

New Zealand

0800 267 625 ■ www.artia.co.nz

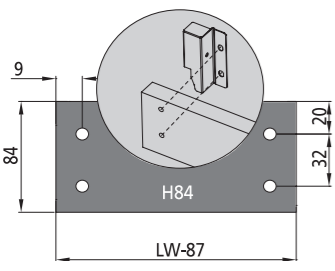
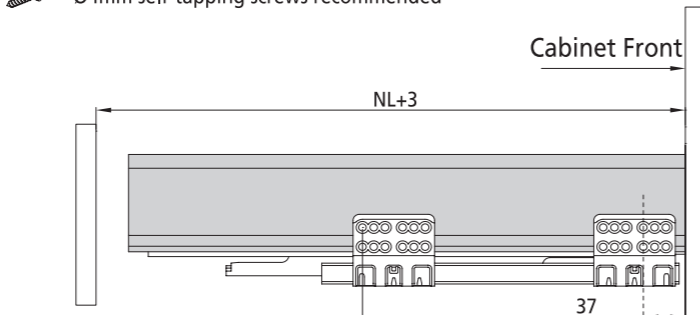
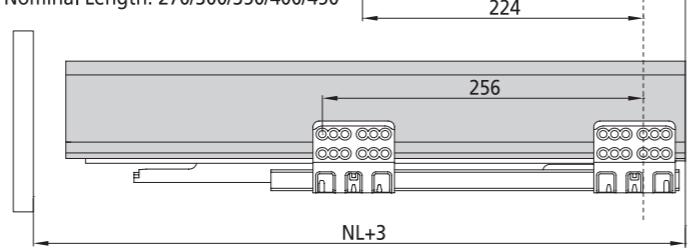
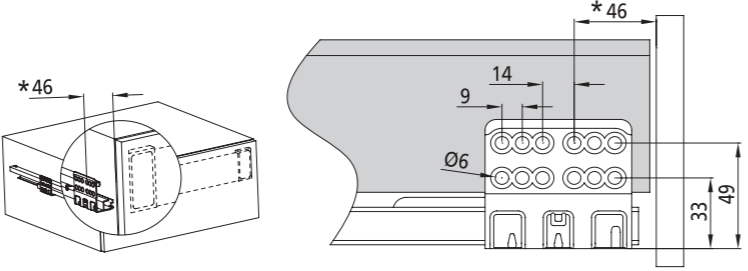
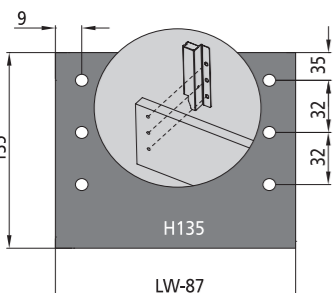
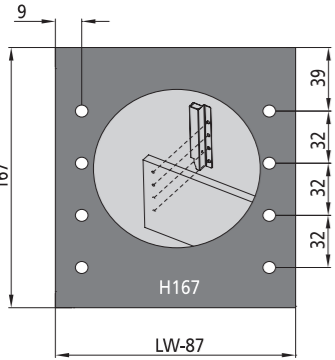
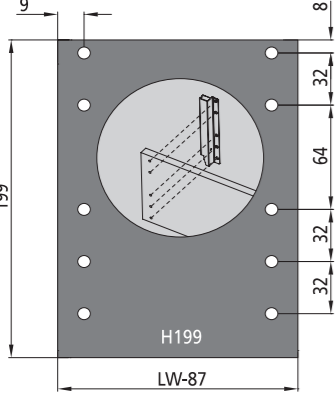
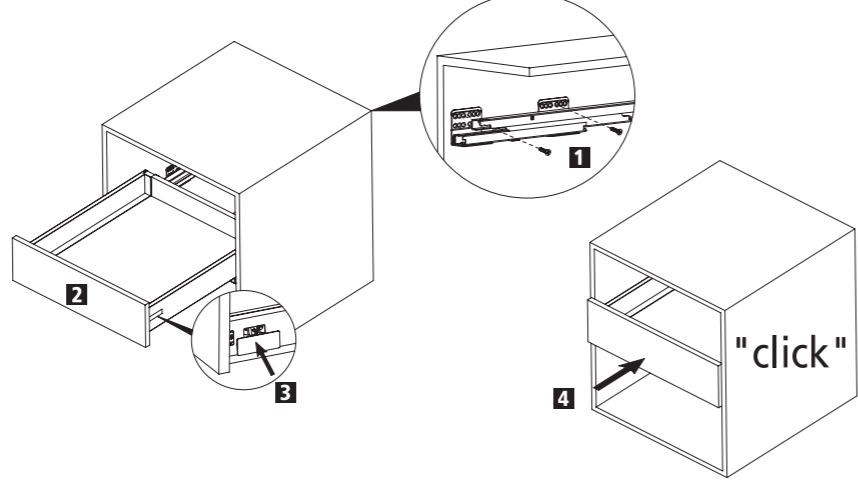
AUCKLAND:

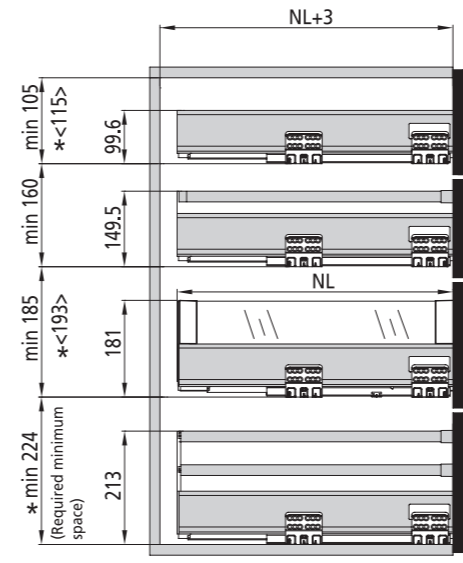
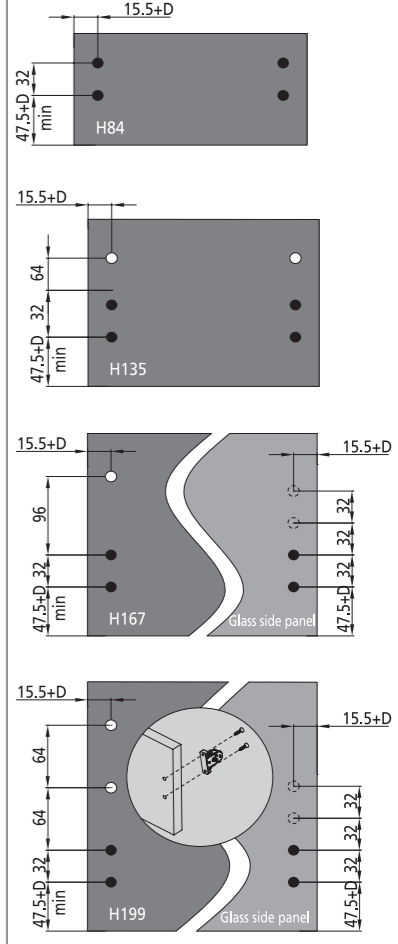
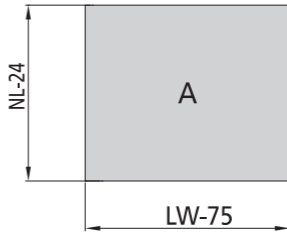
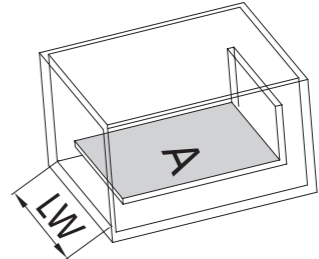
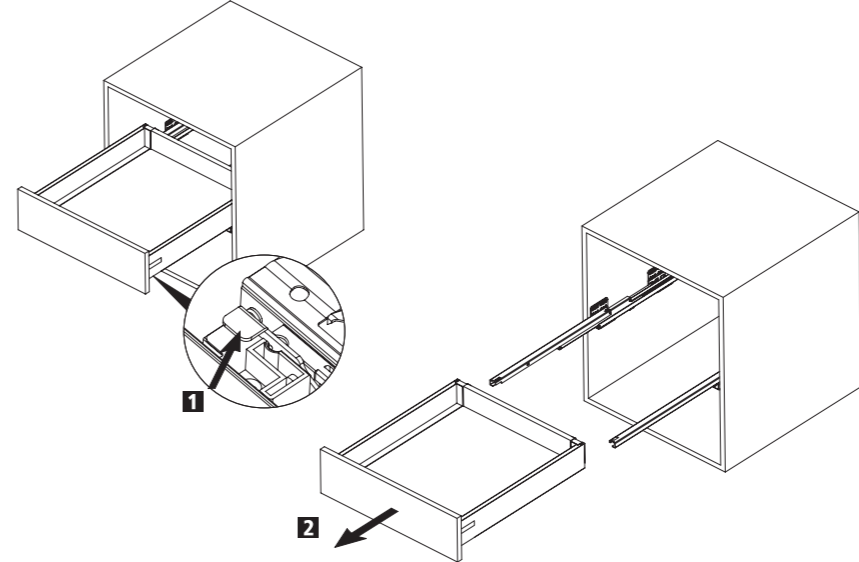
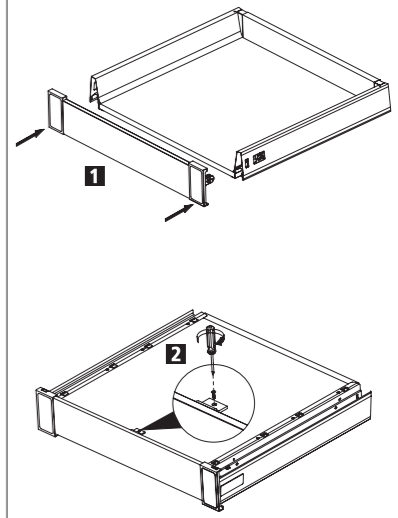
11 Bruce Roderick Drive,
East Tamaki, Auckland 2013

CHRISTCHURCH:

117 Wrights Road,
Addington, Christchurch 8024

Technical information only. Component parts for different drawer types or configurations to be ordered as required.

Back panel dimensions	Slide runner dimensions
 <p>H84 LW-87</p>	<p>• Ø4mm self-tapping screws recommended</p> <p>Cabinet Front</p>  <p>Nominal Length: 270/300/350/400/450</p> <p>224</p>  <p>Nominal Length: 500/550</p>  <p>* Dimensions for inner drawer installation</p>
 <p>H135 LW-87</p>	
 <p>H167 LW-87</p>	
 <p>H199 LW-87</p>	
<p>Back panel dimensions</p> <ul style="list-style-type: none"> • 16mm board • Width = LW-87mm • Height = As per above 	<p>Drawer installation</p>  <p>1. Insert slide runner into cabinet.</p> <p>2. Push drawer into cabinet.</p> <p>3. Push drawer until it clicks.</p> <p>4. "click"</p>

Cabinet space requirement	Front panel hole positions
 <p>NL Nominal Length (i.e. NL500) LW Internal cabinet width D Front panel coverage</p> <p>min 105 * <115 > 99.6 min 160 149.5 min 185 * <193 > 181 min 224 * (Required minimum space) 213</p> <p>* Minimum required space for inner drawers</p>	 <p>15.5+D 47.5+D min H84</p> <p>15.5+D 64 32 47.5+D min H135</p> <p>15.5+D 96 47.5+D min H167 Glass side panel</p> <p>15.5+D 64 64 47.5+D min H199 Glass side panel</p>
<p>Base panel dimensions</p> <ul style="list-style-type: none"> • 16mm board • Width = LW-75mm • Length = NL-24mm  	<p>Front panel hole positions</p> <ul style="list-style-type: none"> • Front fixing bracket ○ Railing bar clips ○ Glass connector clips
<p>Drawer removal</p>  <p>1. Push drawer out.</p> <p>2. Lift drawer out.</p>	<p>Inner drawer front panel installation</p>  <p>1. Insert front panel into drawer.</p> <p>2. Push front panel into drawer.</p>

INSTALLATION INSTRUCTIONS

ZAPPHYRE SOFT-CLOSE DRAWER SYSTEM

Australia

1800 008 591 ■ www.artia.com.au

VICTORIA:
235 Settlement Road,
Thomastown VIC 3074

NEW SOUTH WALES:
Unit 1/429 Victoria Street,
Wetherill Park NSW 2164

QUEENSLAND:
Building 2/660 MacArthur
Avenue, Pinkenba QLD 4008

SOUTH AUSTRALIA:
13 Rosberg Road,
Wingfield SA 5013

WESTERN AUSTRALIA:
Unit 1B/15 Hector Street,
Osborne Park WA 6017

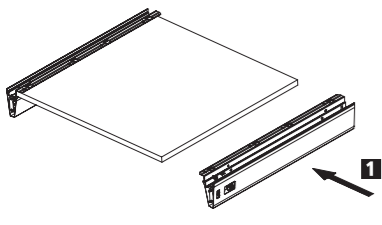
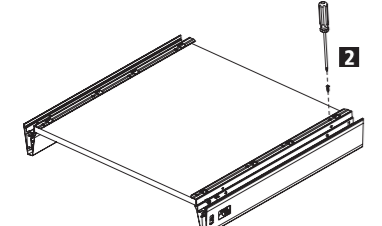
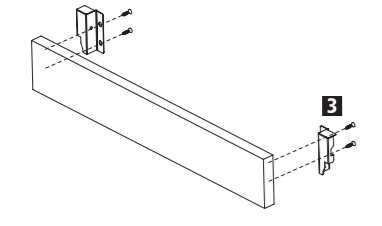
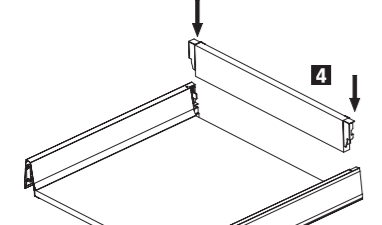
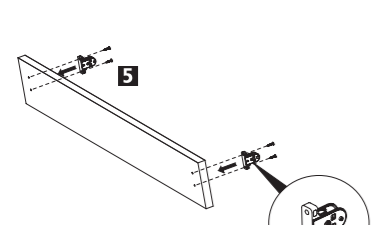
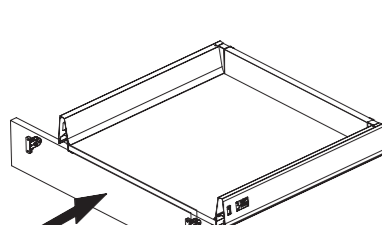
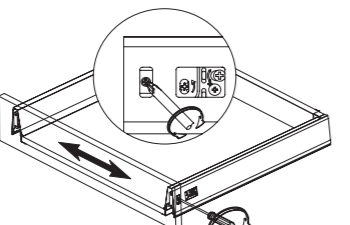
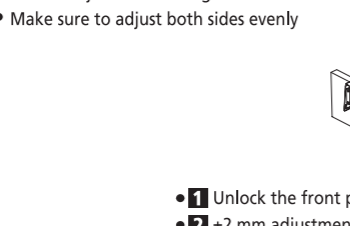
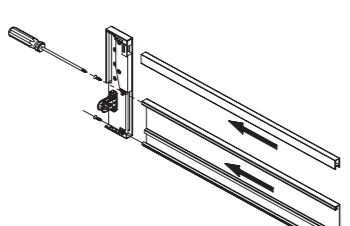
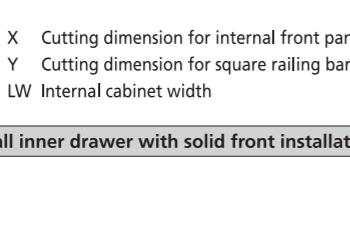
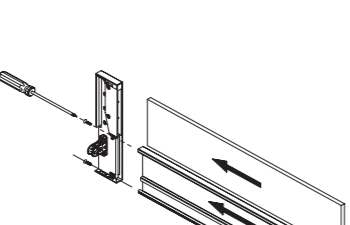
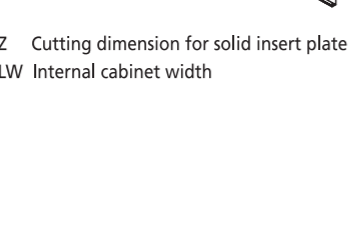
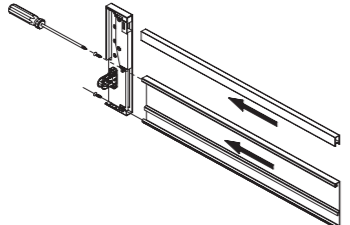
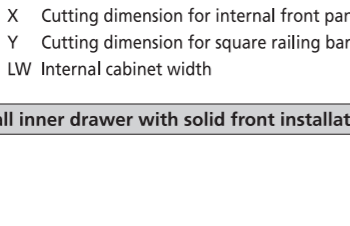
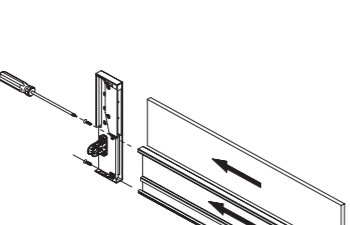
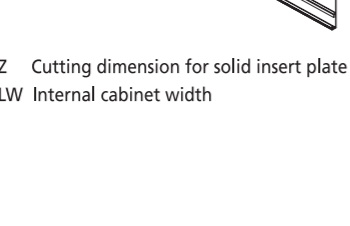
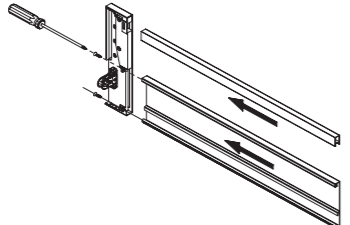
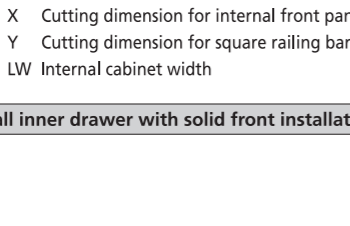
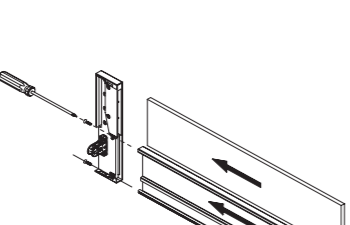
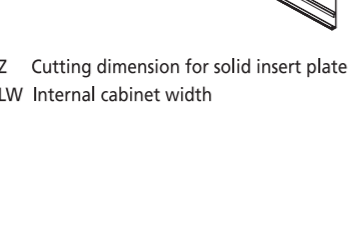
New Zealand

0800 267 625 ■ www.artia.co.nz

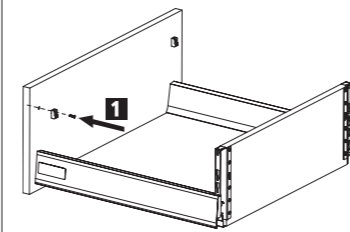
AUCKLAND:
11 Bruce Roderick Drive,
East Tamaki, Auckland 2013

CHRISTCHURCH:
117 Wrights Road,
Addington, Christchurch 8024

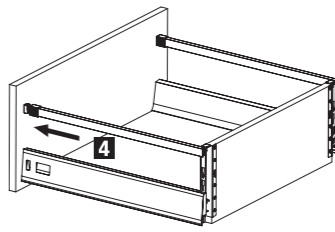
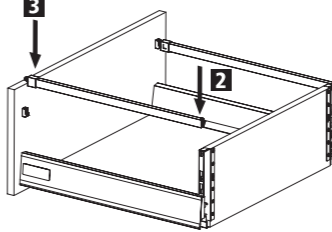
Technical information only. Component parts for different drawer types or configurations to be ordered as required.

Drawer installation	Adjustment
     	      <ul style="list-style-type: none"> • ±2 mm adjustment left/right • Make sure to adjust both sides evenly • 1 Unlock the front panel • 2 ±2 mm adjustment up/down • 3 After adjustment, ensure to lock the screws
<h4>Tall inner drawer with front railing bar installation</h4>     <p>X Cutting dimension for internal front panel = LW-90 Y Cutting dimension for square railing bar = LW-92 LW Internal cabinet width</p>	
<h4>Tall inner drawer with solid front installation</h4>     <p>Z Cutting dimension for solid insert plate = LW-98 LW Internal cabinet width</p>	

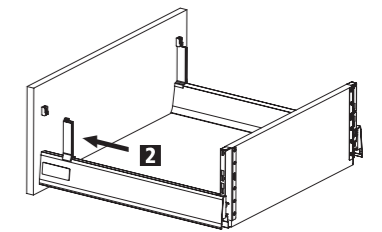
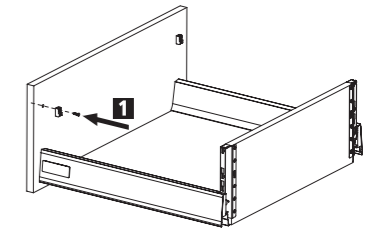
Side railing installation (round & square)



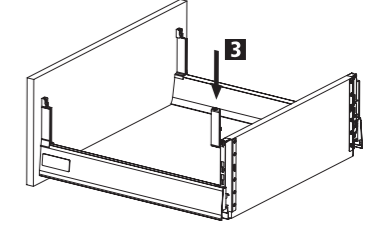
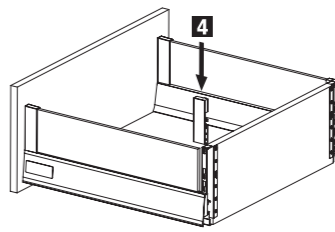
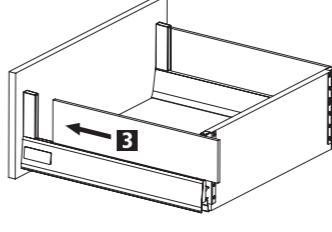
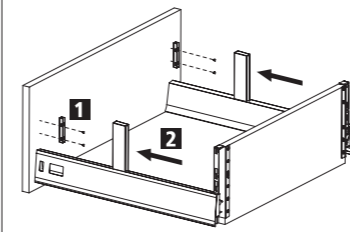
- Round railing with dowel at the front
- Square railing with screw-in clip



Glass sides with square bar installation



Glass side panel installation



Front panel removal

