

# ARTIA VIVID TALL PANTRY INSTALLATION GUIDE

300MM AND 400MM WIDE CABINETS AVAILABLE



## Australia

1800 008 591 • [www.artia.com.au](http://www.artia.com.au)

### VICTORIA:

235 Settlement Road,  
Thomastown VIC 3074

### NEW SOUTH WALES:

6 Nello Place  
Wetherill Park NSW 2164

### QUEENSLAND:

Building 2/660 MacArthur  
Avenue, Pinkenba QLD 4008

### SOUTH AUSTRALIA:

13 Rosberg Road,  
Wingfield SA 5013

### WESTERN AUSTRALIA:

Unit 5/1 Dellamarta Road,  
Wangara WA 6065

## New Zealand

0800 267 625 • [www.artia.co.nz](http://www.artia.co.nz)

### AUCKLAND:

11 Bruce Roderick Drive,  
East Tamaki, Auckland 2013

### CHRISTCHURCH:

117 Wrights Road,  
Addington, Christchurch 8024

## Pull-out Larder

### Height:

1850-2170mm 6 baskets

1550-1870mm 5 baskets

1250-1570mm 4 baskets

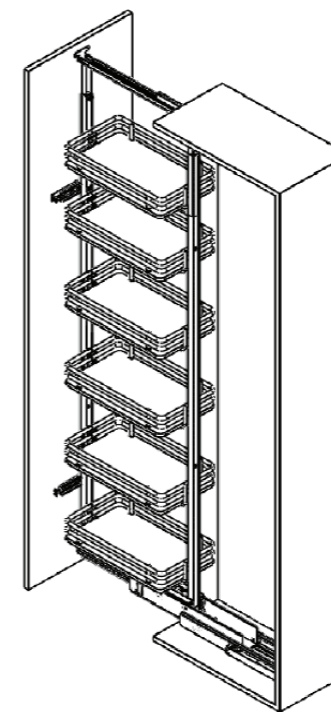
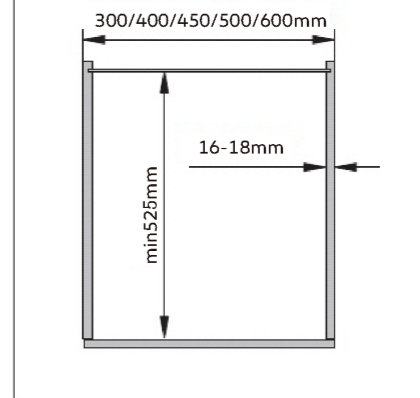
### Basket Size:

W=Cabinet Size-50mm

D=426mm

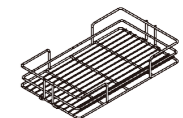
H=80mm

### Cabinet dimensions

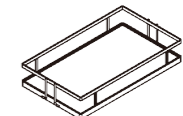


### Basket styles:

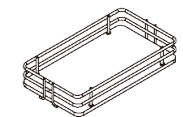
Wire



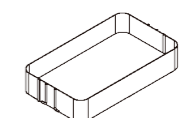
Flat



Oval



Panel



Q1601/01A1

**artia**  
CABINET HARDWARE SYSTEMS

# INSTALLATION GUIDE FOR VIVID PANTRY

## Australia

1800 008 591 • [www.artia.com.au](http://www.artia.com.au)

**VICTORIA:**  
235 Settlement Road,  
Thomastown VIC 3074

**NEW SOUTH WALES:**  
6 Nello Place  
Wetherill Park NSW 2164

**QUEENSLAND:**  
Building 2/660 MacArthur  
Avenue, Pinkenba QLD 4008

**SOUTH AUSTRALIA:**  
13 Rosberg Road,  
Wingfield SA 5013

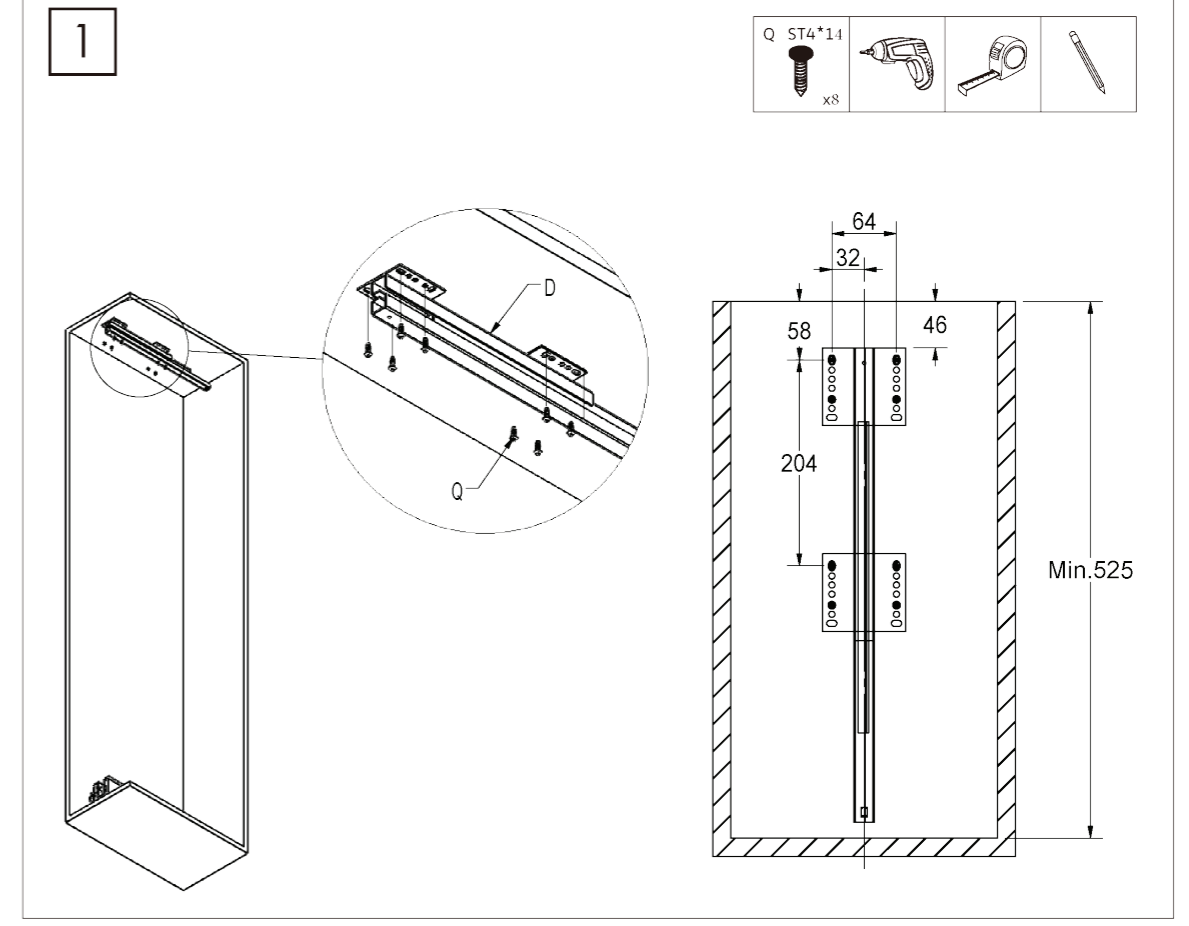
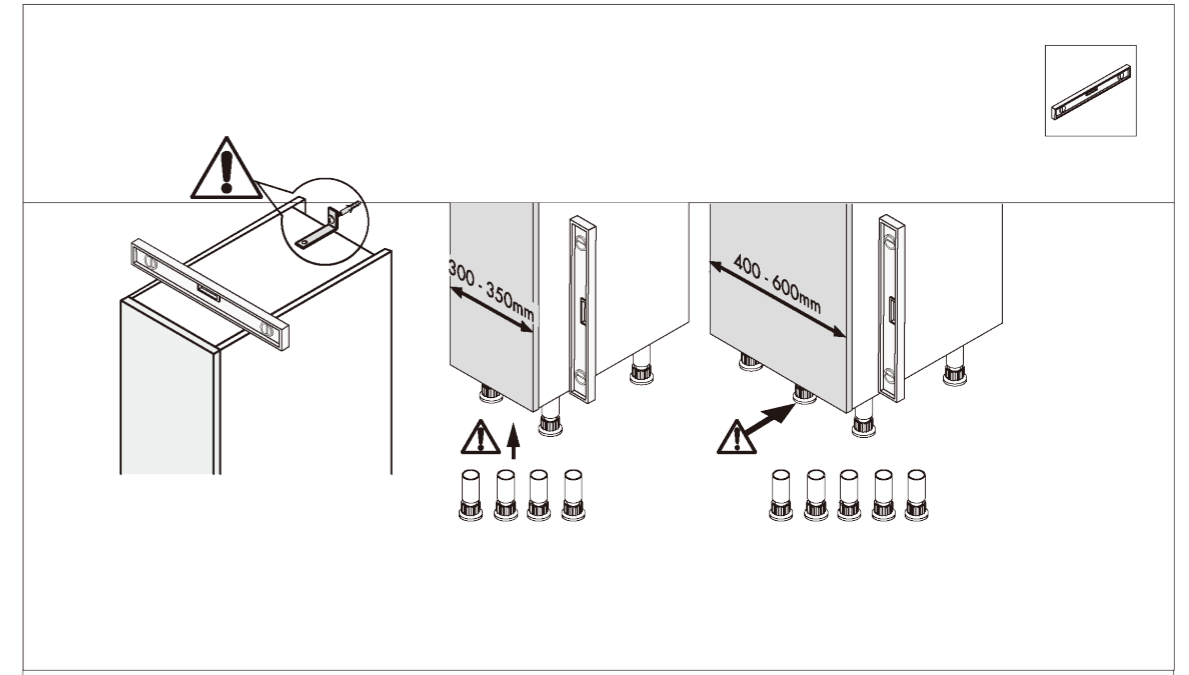
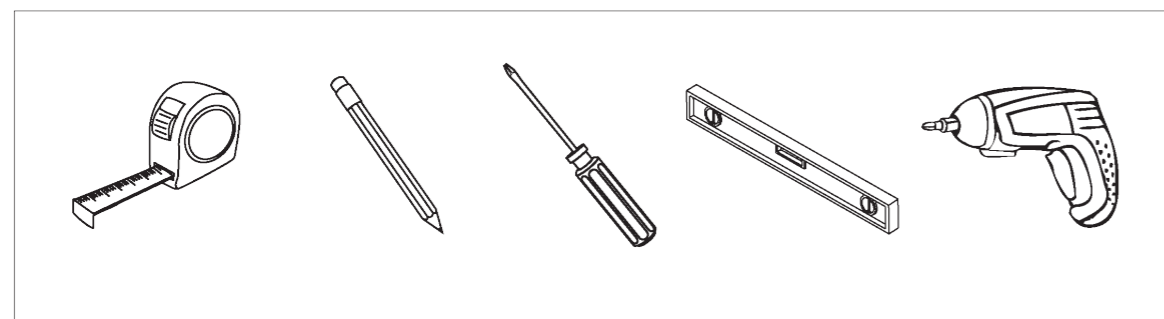
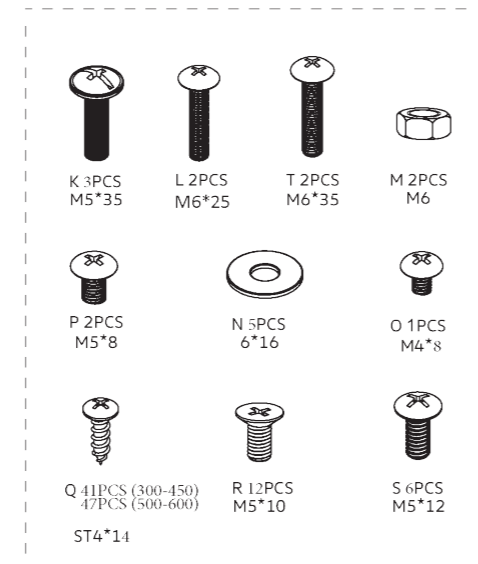
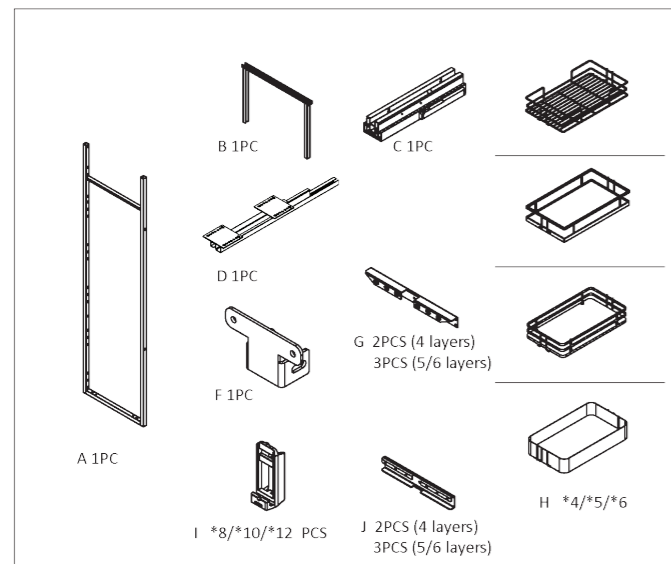
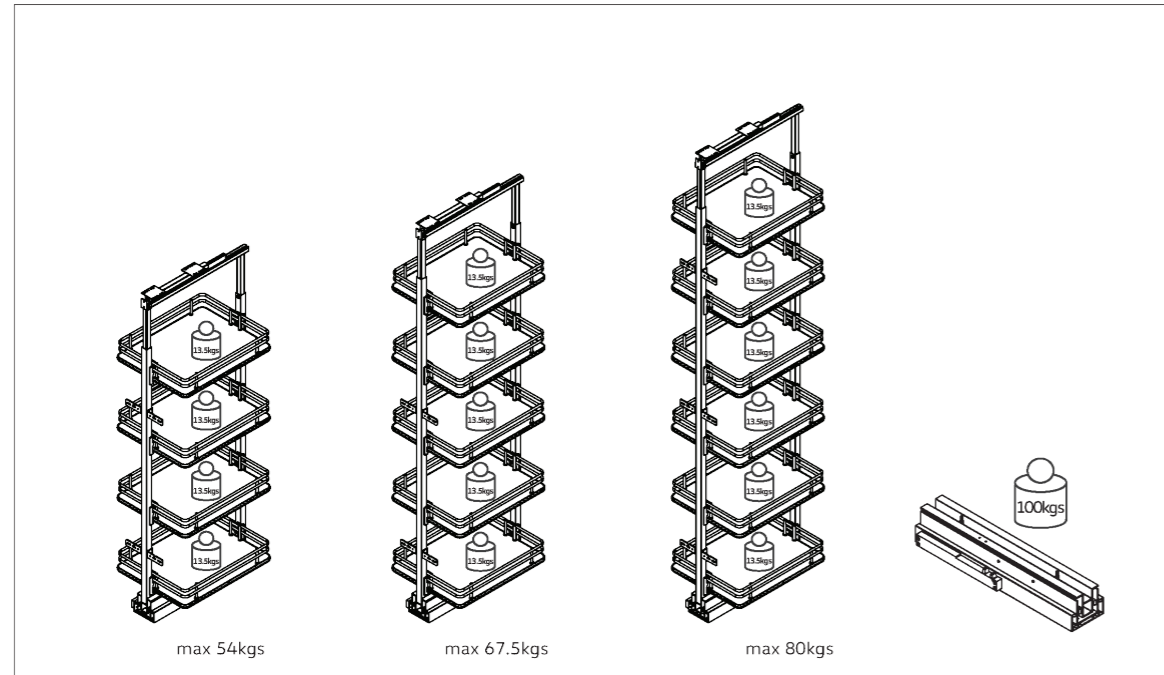
**WESTERN AUSTRALIA:**  
Unit 5/1 Dellamarta Road,  
Wangara WA 6065

## New Zealand

0800 267 625 • [www.artia.co.nz](http://www.artia.co.nz)

**AUCKLAND:**  
11 Bruce Roderick Drive,  
East Tamaki, Auckland 2013

**CHRISTCHURCH:**  
117 Wrights Road,  
Addington, Christchurch 8024



# INSTALLATION GUIDE FOR VIVID PANTRY

## Australia

1800 008 591 • [www.artia.com.au](http://www.artia.com.au)

**VICTORIA:**  
235 Settlement Road,  
Thomastown VIC 3074

**NEW SOUTH WALES:**  
6 Nello Place  
Wetherill Park NSW 2164

**QUEENSLAND:**  
Building 2/660 MacArthur  
Avenue, Pinkenba QLD 4008

**SOUTH AUSTRALIA:**  
13 Rosberg Road,  
Wingfield SA 5013

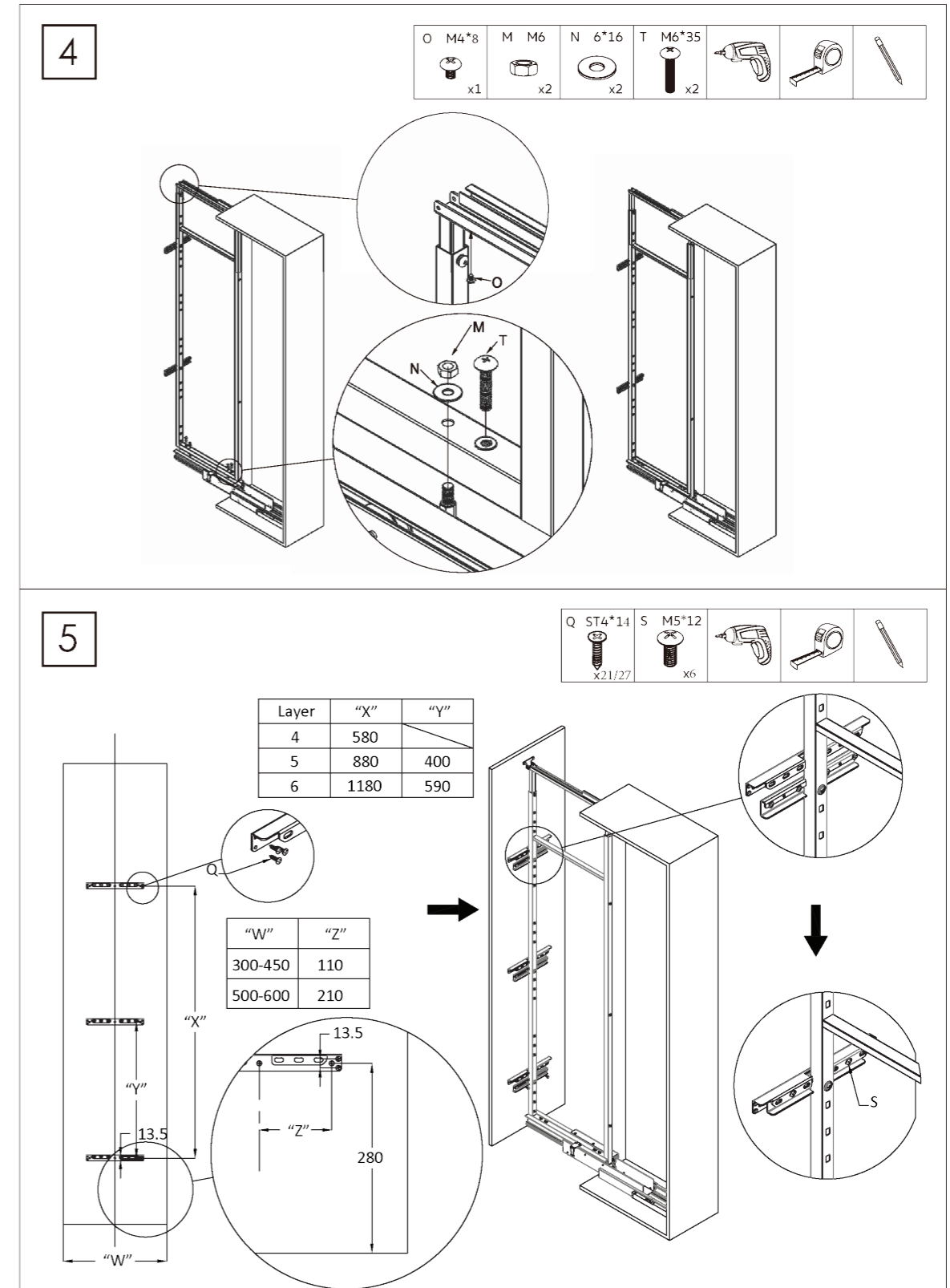
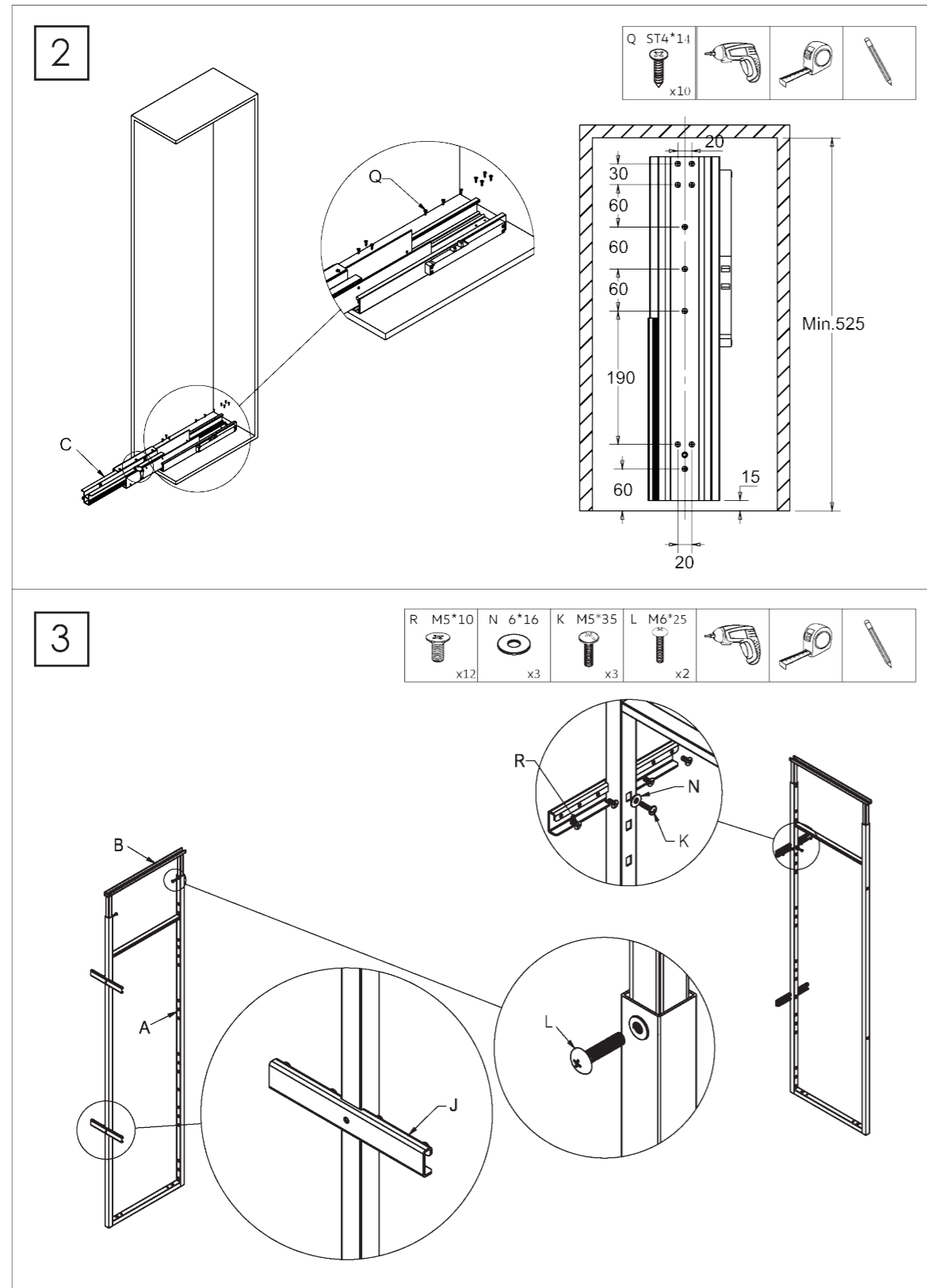
**WESTERN AUSTRALIA:**  
Unit 5/1 Dellamarta Road,  
Wangara WA 6065

## New Zealand

0800 267 625 • [www.artia.co.nz](http://www.artia.co.nz)

**AUCKLAND:**  
11 Bruce Roderick Drive,  
East Tamaki, Auckland 2013

**CHRISTCHURCH:**  
117 Wrights Road,  
Addington, Christchurch 8024



# INSTALLATION GUIDE FOR VIVID PANTRY

## Australia

1800 008 591 • [www.artia.com.au](http://www.artia.com.au)

**VICTORIA:**  
235 Settlement Road,  
Thomastown VIC 3074

**NEW SOUTH WALES:**  
6 Nello Place  
Wetherill Park NSW 2164

**QUEENSLAND:**  
Building 2/660 MacArthur  
Avenue, Pinkenba QLD 4008

**SOUTH AUSTRALIA:**  
13 Rosberg Road,  
Wingfield SA 5013

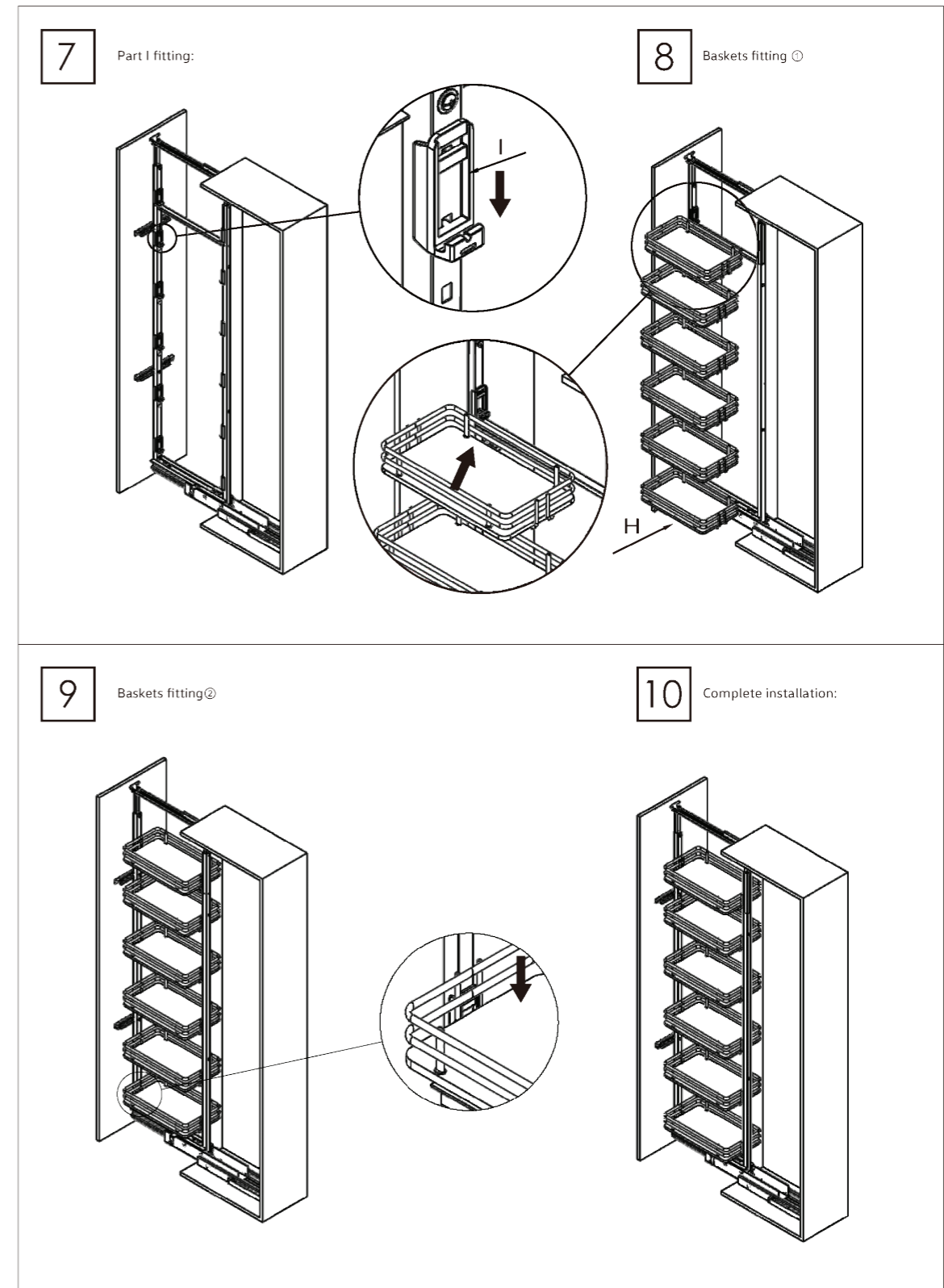
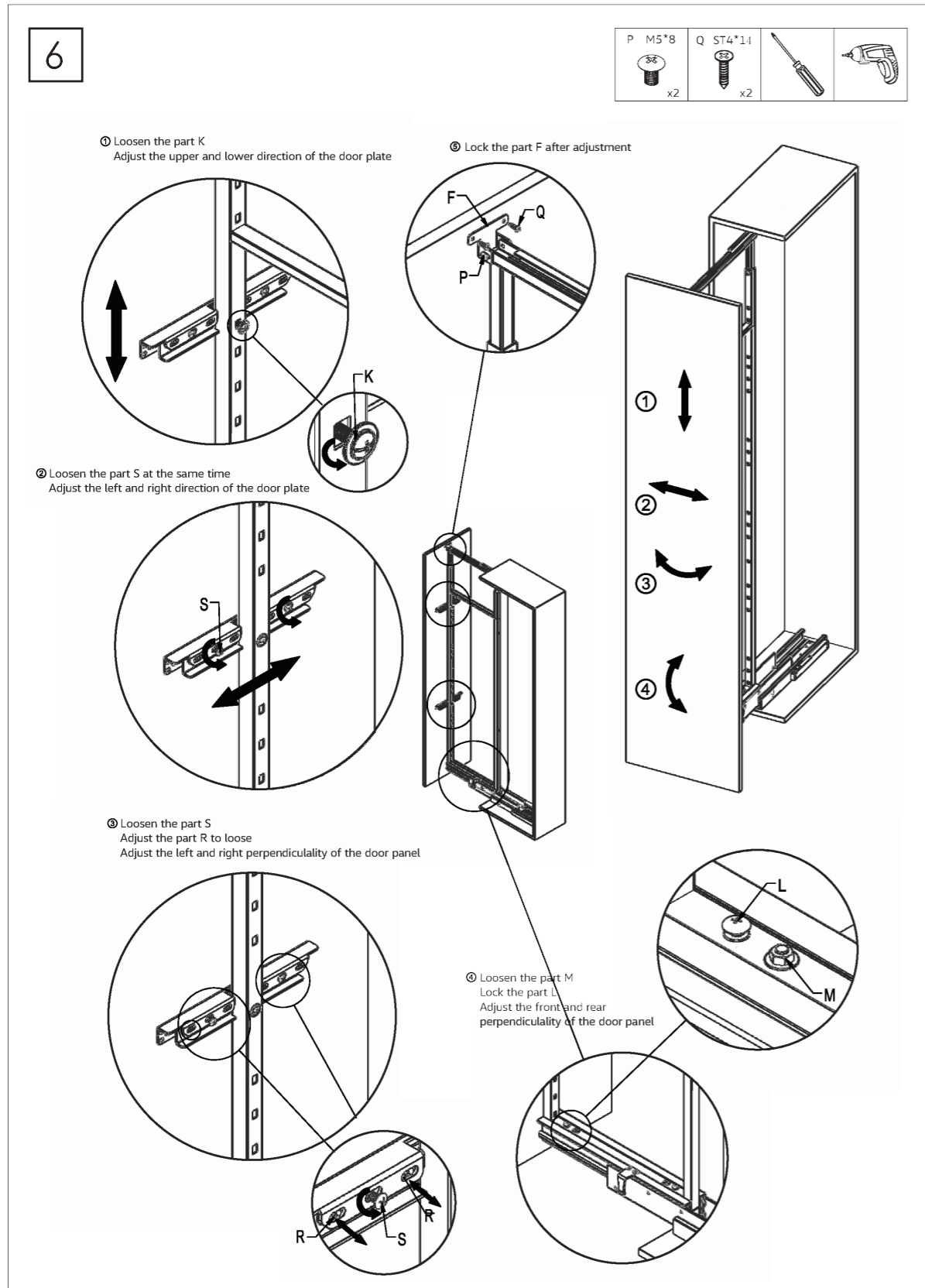
**WESTERN AUSTRALIA:**  
Unit 5/1 Dellamarta Road,  
Wangara WA 6065

## New Zealand

0800 267 625 • [www.artia.co.nz](http://www.artia.co.nz)

**AUCKLAND:**  
11 Bruce Roderick Drive,  
East Tamaki, Auckland 2013

**CHRISTCHURCH:**  
117 Wrights Road,  
Addington, Christchurch 8024



# INSTALLATION GUIDE FOR VIVID PANTRY

## Australia

1800 008 591 • [www.artia.com.au](http://www.artia.com.au)

### VICTORIA:

235 Settlement Road,  
Thomastown VIC 3074

### NEW SOUTH WALES:

6 Nello Place  
Wetherill Park NSW 2164

### QUEENSLAND:

Building 2/660 MacArthur  
Avenue, Pinkenba QLD 4008

### SOUTH AUSTRALIA:

13 Rosberg Road,  
Wingfield SA 5013

### WESTERN AUSTRALIA:

Unit 5/1 Delamarta Road,  
Wangara WA 6065

## New Zealand

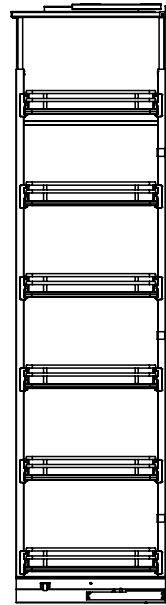
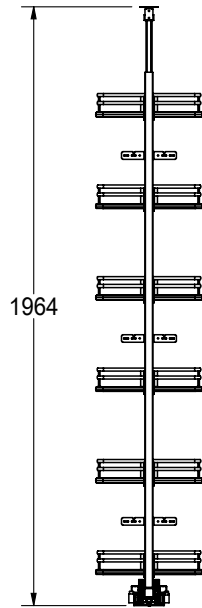
0800 267 625 • [www.artia.co.nz](http://www.artia.co.nz)

### AUCKLAND:

11 Bruce Roderick Drive,  
East Tamaki, Auckland 2013

### CHRISTCHURCH:

117 Wrights Road,  
Addington, Christchurch 8024



LAYER	HEIGHT
4	1250-1570
5	1550-1870
6	1850-2170

BASKET	
CABINET	WIDTH
300	240
400	340

