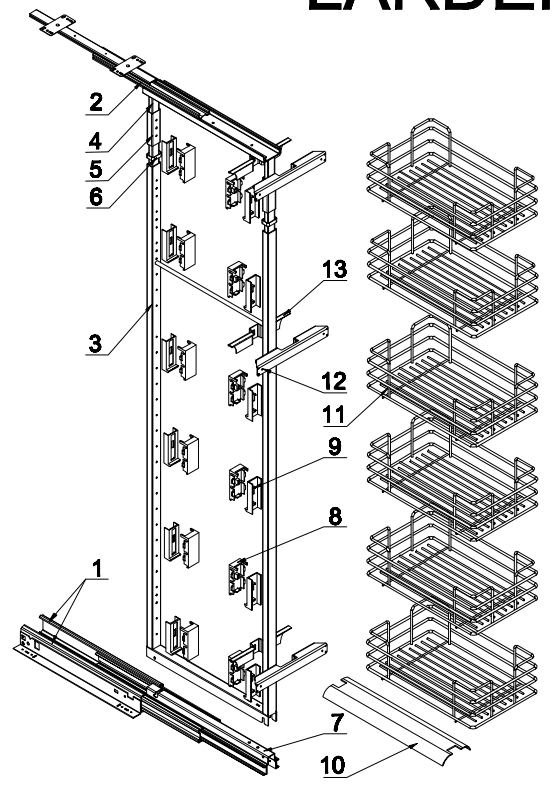


LARDER UNIT Assembly and Fitting Instructions

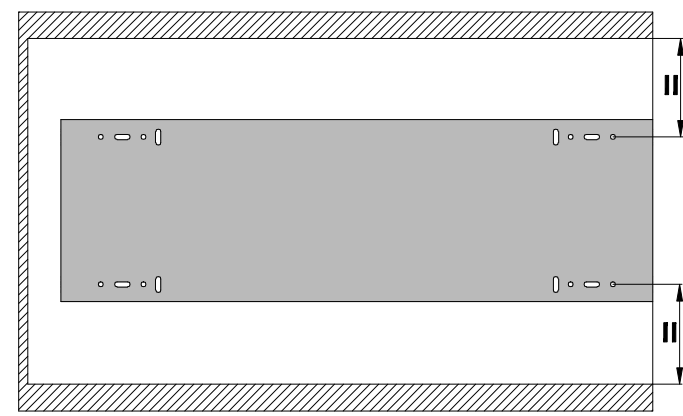
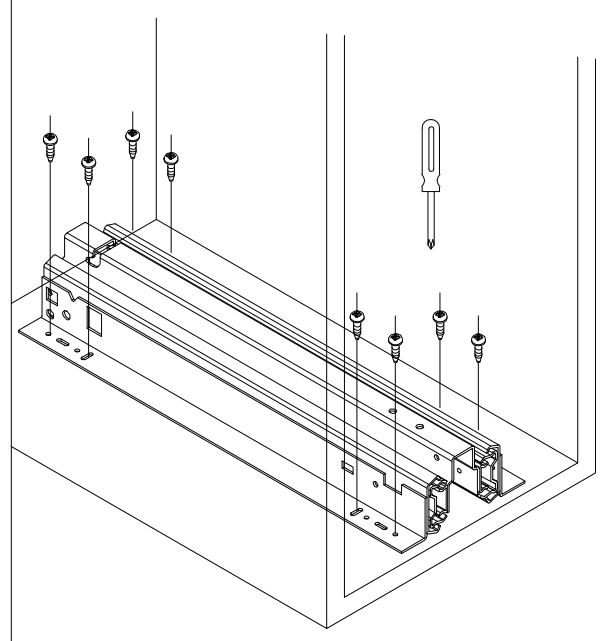


- 1-Bottom slide 1set
- 2-Upper slide 1set
- 3-Frame(big) 1pc
- 4-Frame(small) 1pc
- 5-Glide cover 2pcs
- 6-Protection ring 2pcs
- 7-Frame Base 1pc
- 8-Clip-on button II 8/10/12pcs
- 9-Clip-on button I 8/10/12pcs
- 10-Bottom cover 1pc
- 11-Basket 4/5/6pcs
- 12-Bracket II 2/3pcs
- 13-Bracket I 2/3pcs

! IMPORTANT:
Two different height frame.
2/3 sets brackets and 4/5/6 pcs basket to fit.

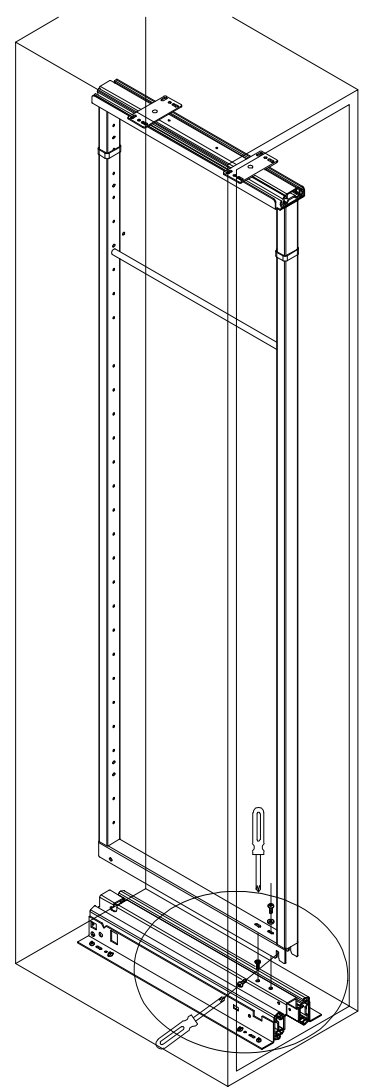
Net Height of Cabinet (mm)	Width of Cabinet (mm)	Net Depth of Cabinet (mm)	Basket (pcs)	Brackets (sets)
1190~1650	300	450	4	2
	400			
	450			
	600			
1680~2175	300	450	5/6	3
	400			
	450			
	600			

1 Fit the bottom side.

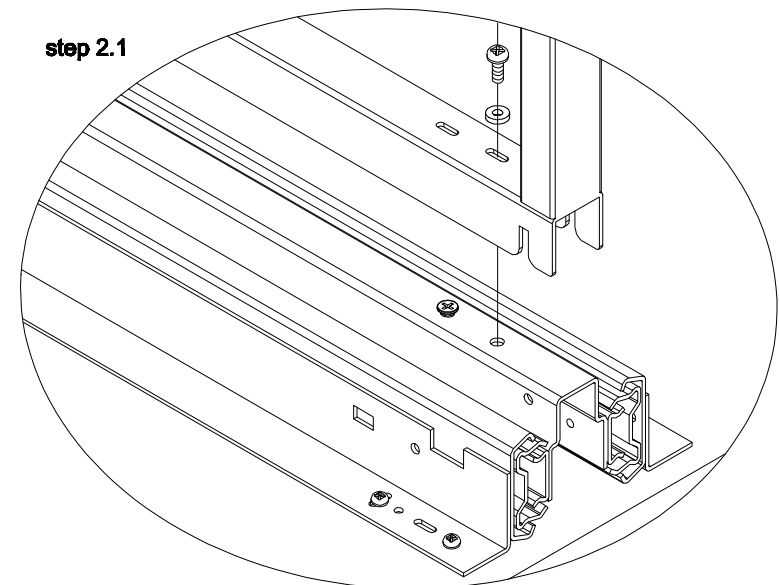


Adhibit the template 1 on the bottom of the cabinet ,and tighten the slides by screws.

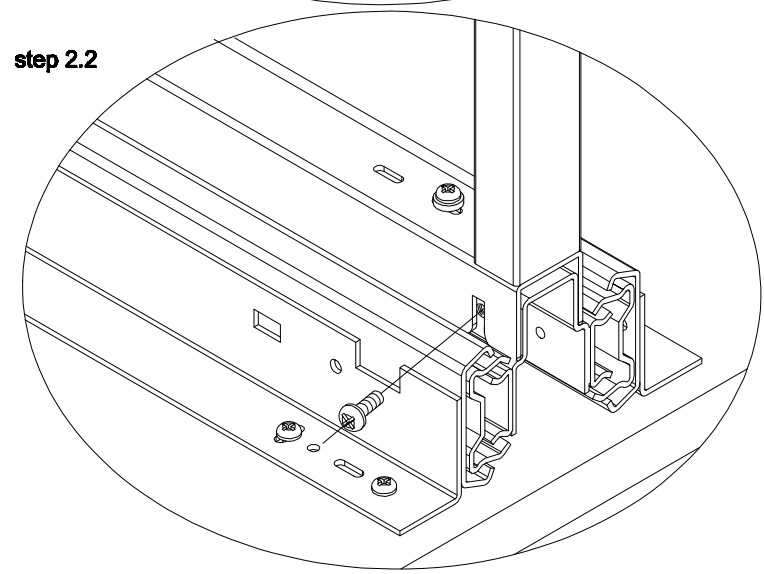
2 Install frame.



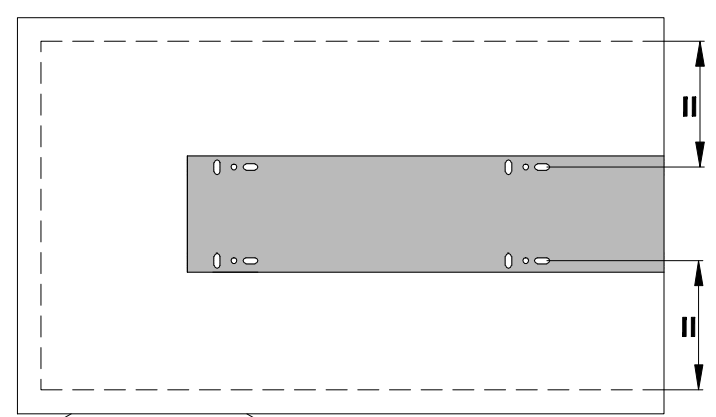
step 2.1



step 2.2



3 Install upper slide.



Adhibit the template 2 on the top of the cabinet ,tighten the slides by screws,and tighten the 2 frames by wrench.

