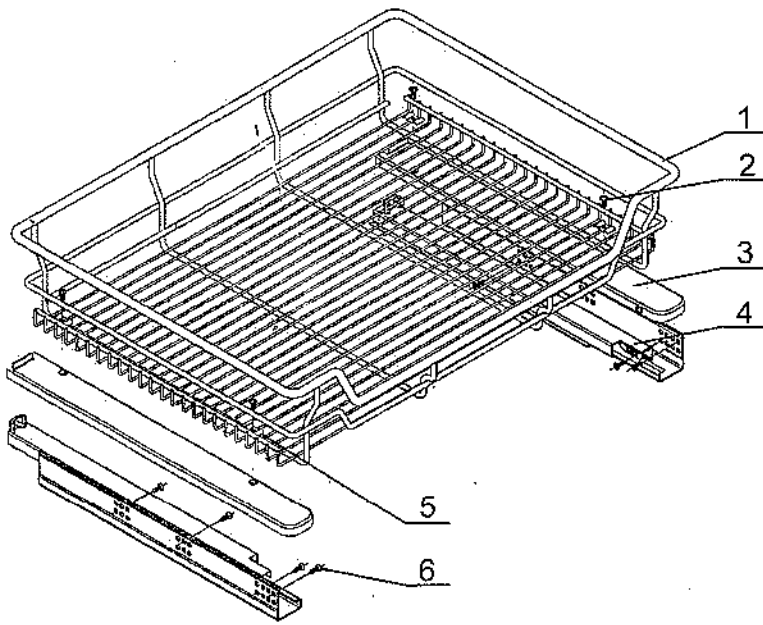
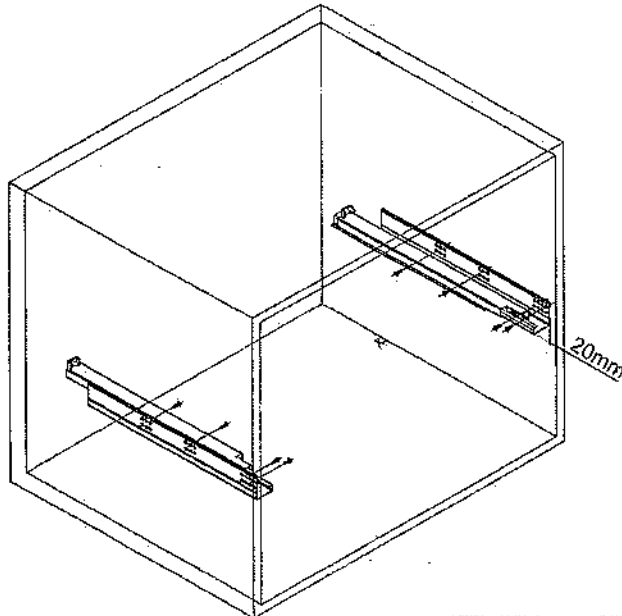


# Installation Instruction for Internal Pull-out Organizer Soft Close Option

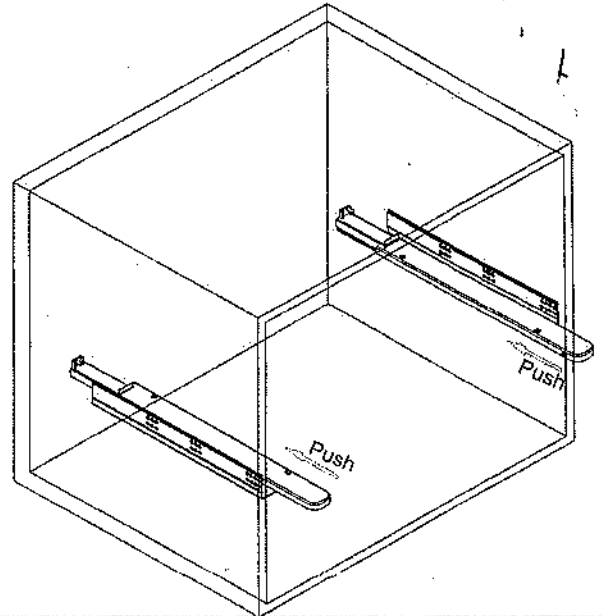


1-Basket	1pc
2-Screw (M5*8)	4pcs
3-Bracket	1set
4-Slide	1set
5-Clip	4pcs
6-Screw (ST4.2*16)	8pcs

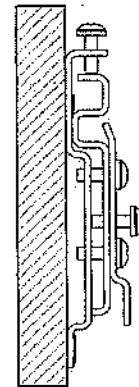
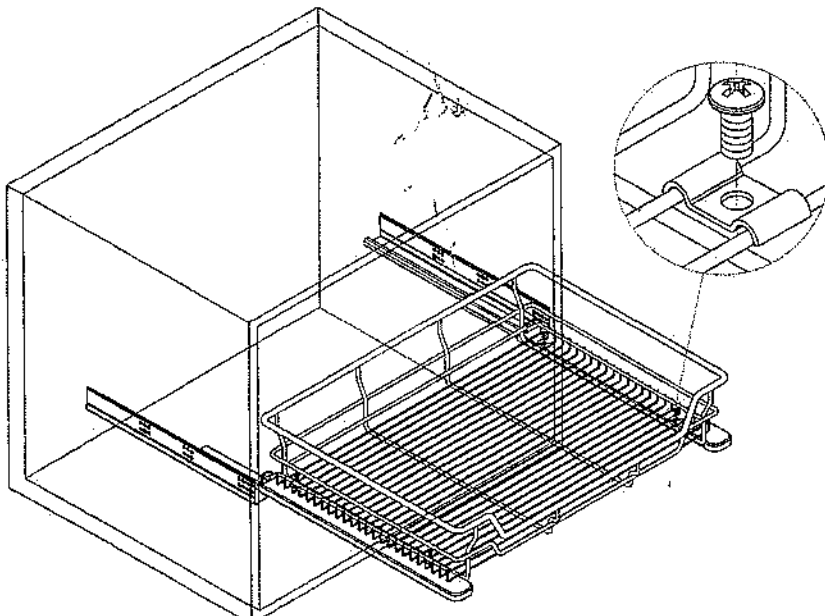
1, Fix the slides on the carcass.



2, Push the brackets on the slide.

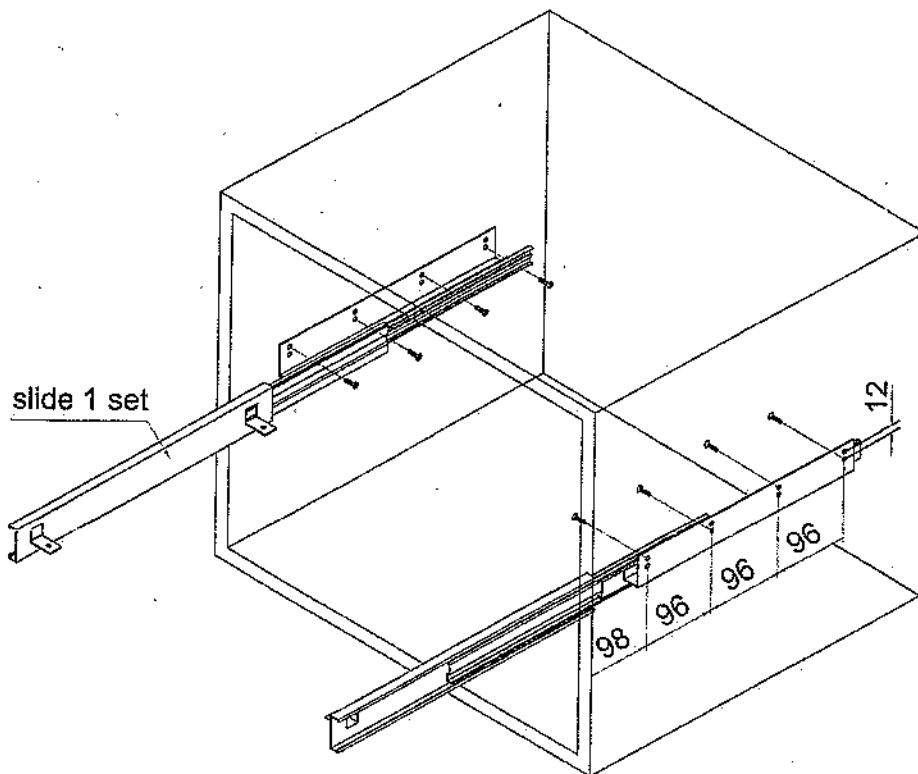


3, Put the basket on the slides and fix it with 4 sets of fitting & clips.



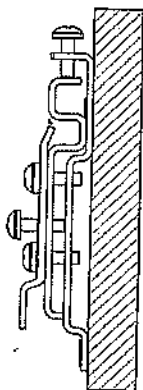
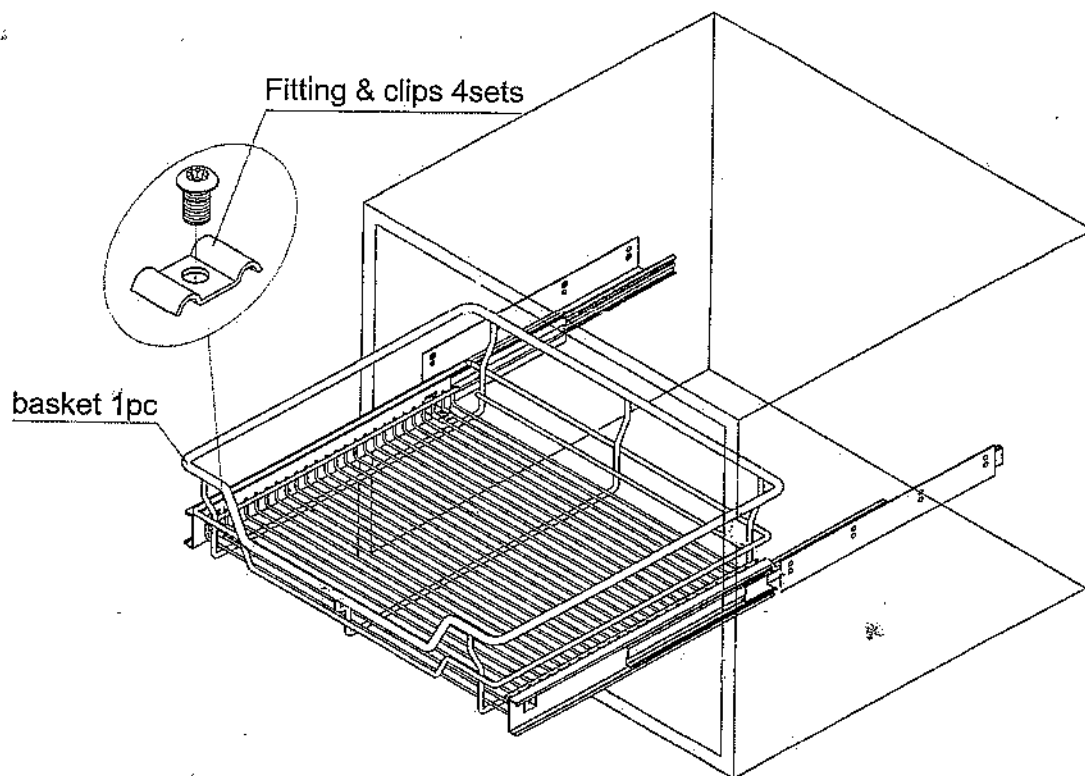
► Alternative Application: Drawer Front Fixing  
By using the drawer front fixing bracket standard drawer fronts can be attached to the basket. Brackets allow minor vertical & horizontal adjustment.

# Installation Instruction for Internal Pull-out Organizer Standard Option



1. Fix the slides on the carcass.

2. Put the basket on the slides and fix it with 4 sets of fitting & clips.



► Alternative Application: Drawer Front Fixing  
By using the drawer front fixing bracket  
standard drawer fronts can be attached to  
the basket. Brackets allow minor vertical &  
horizontal adjustment.