



CABINET HARDWARE SYSTEMS

TOPAZ SLIMLINE DRAWER SYSTEM

#DSY-TSL

Australia

1800 008 591 | www.artia.com.au

VICTORIA:

235 Settlement Road,
Thomastown VIC 3074

NEW SOUTH WALES:

6 Nello Place,
Wetherill Park NSW 2164

QUEENSLAND:

Building 2/660 MacArthur
Avenue, Pinkenba QLD 4008

SOUTH AUSTRALIA:

13 Rosberg Road,
Wingfield SA 5013

WESTERN AUSTRALIA:

Unit 5/1 Dellamarta Road,
Wangara WA 6065

New Zealand

0800 267 625 | www.artia.co.nz

AUCKLAND:

11 Bruce Roderick Drive,
East Tamaki, Auckland 2013

CHRISTCHURCH:

117 Wrights Road,
Addington, Christchurch 8024

TOPAZ SLIMLINE DRAWER SYSTEM

CONTENTS

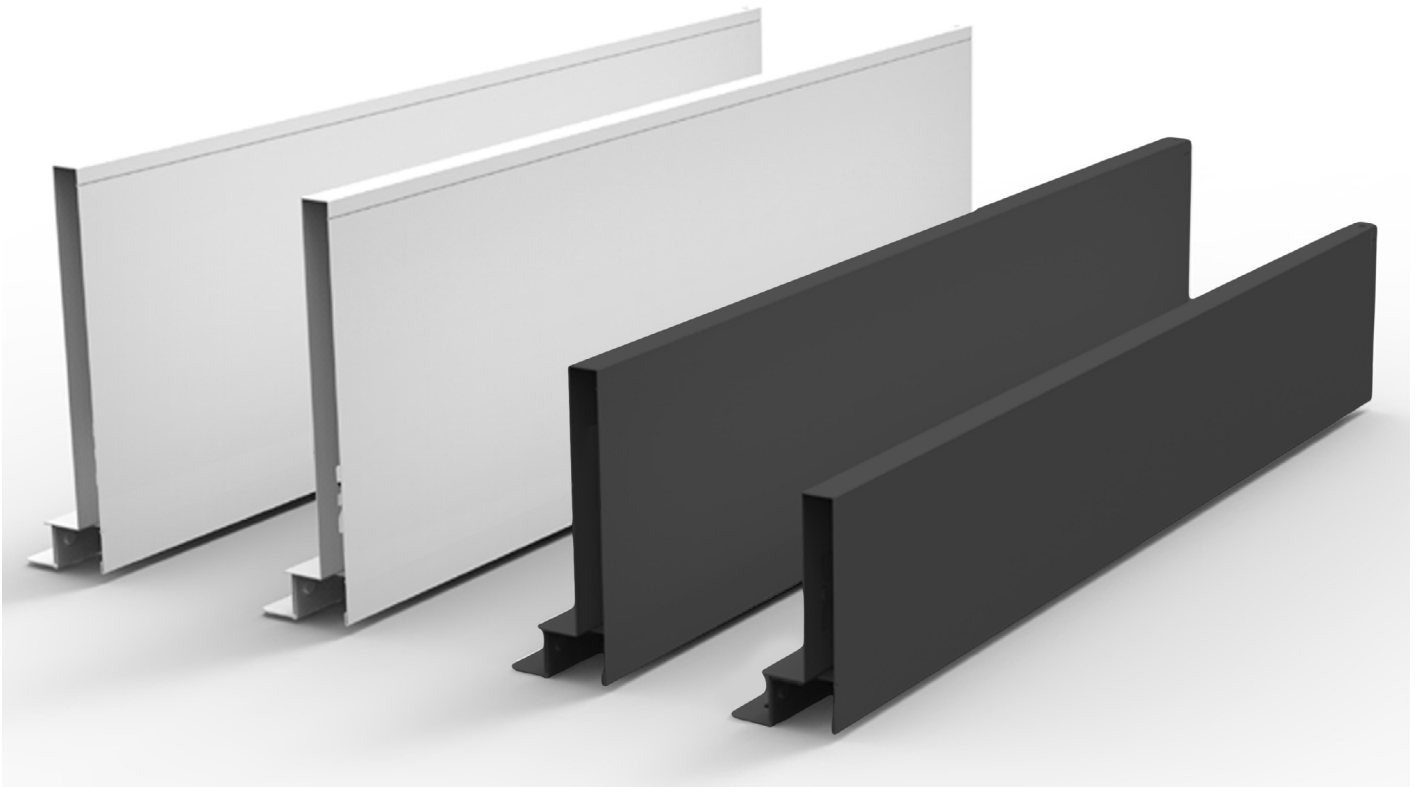
- TOPAZ SLIMLINE DRAWER H86 4
 - H86 Standard, 86mm high 4
 - H86 Drawer Configuration 4
 - H86 Technical Information 5
- TOPAZ SLIMLINE DRAWER H118 6
 - H118 Maxi drawer, 118mm high 6
 - H118 Drawer Configuration 6
 - H118 Technical Information 7
- TOPAZ SLIMLINE DRAWER H167 8
 - H167 Mid-height drawer, 167mm high 8
 - H167 Drawer Configuration 8
 - H167 Technical Information 9
- TOPAZ SLIMLINE DRAWER H199 10
 - H199 Tall drawer, 199mm high 10
 - H199 Drawer Configuration 10
 - H199 Technical Information 11
- INDEX PART NUMBERS 12

TOPAZ SLIMLINE DRAWER SYSTEM



TOPAZ
Slimline Drawer System

TOPAZ SLIMLINE DRAWER SYSTEM



ELEGANT FUNCTIONALITY

12.9mm slim sidewalls add a touch of light elegance to your cabinetry. Tall sidewalls ensure that nothing gets lost.

OPTIMUM SPACE UTILISATION

With right angles inside and out, the slimline profile maximises internal drawer space.

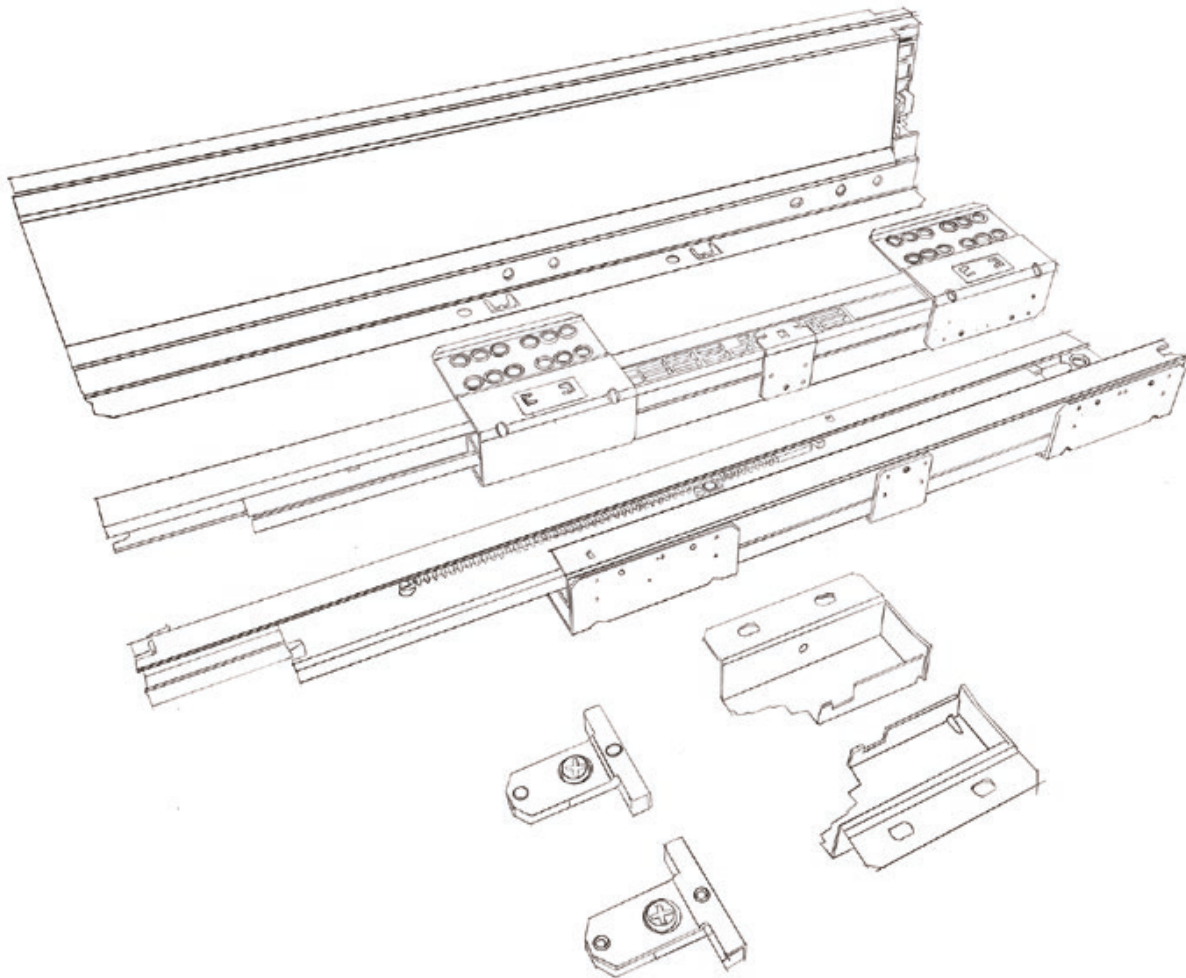
ALL BASES COVERED

Four different heights H86, H118, H167 and H199.

Six drawer lengths NL270 to NL550.

Available in white or dark grey to suit a wide range of cabinet styles.

TOPAZ SLIMLINE DRAWER SYSTEM



SMOOTH

Synchronised runners ensure that even wide drawers run without hiccup. The soft-close feature adds the finishing touch.

STRONG

The 40kg load capacity ensures that the TOPAZ Slimline Drawer System is up to the job, all day everyday.

TRIED AND TESTED

Quality as proven with 80,000 opening and closing cycles.

PLANNING FLEXIBILITY

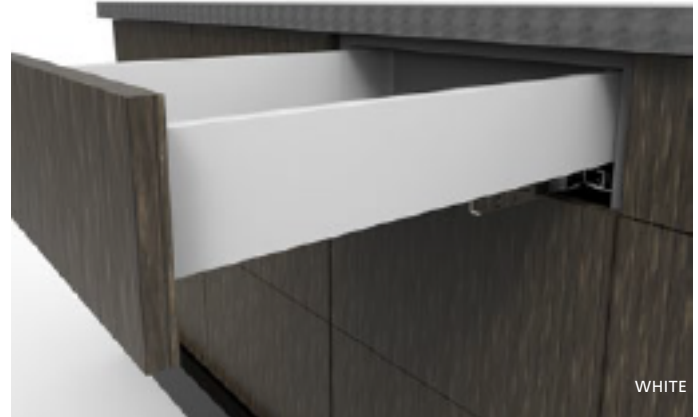
Modular system for optimum stock planning and ability to react to short-term specification changes.

TOPAZ SLIMLINE DRAWER SYSTEM

TOPAZ SLIMLINE DRAWER H86

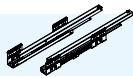
► H86 Standard, 86mm high

- Standard height 86mm, perfect for a bank of five standard drawers
- Synchronised soft-closing slide runners
- 40 kg load capacity
- Full range of drawer lengths NL270 to NL550mm
- 3D drawer front adjustment, up & down ± 1.5 mm, left & right ± 1.5 mm
- Choice of screw-fix or expanding dowel front brackets
- Available in white (full range) and dark grey (select drawers)



► H86 Drawer Configuration

A TSL1 Soft-closing drawer slides (pair)



LENGTH	CODE
NL270	TSL1.NL270.SC
NL350	TSL1.NL350.SC
NL400	TSL1.NL400.SC
NL450	TSL1.NL450.SC
NL500	TSL1.NL500.SC
NL550	TSL1.NL550.SC

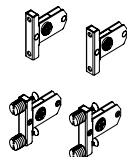
B TSL2 H86 Drawer sides, 86mm high (pair)



LENGTH	WHITE	DARK GREY
NL270	TSL2.H86.270.W	#
NL350	TSL2.H86.350.W	#
NL400	TSL2.H86.400.W	TSL2.H86.400.DG
NL450	TSL2.H86.450.W	#
NL500	TSL2.H86.500.W	TSL2.H86.500.DG
NL550	TSL2.H86.550.W	#

C TSL3 H86 Front connector brackets for H86 drawers (pair)

TYPE	CODE
SCREW-FIX H86	TSL3.FB86.S
EXPANDING DOWEL H86	TSL3.FB86.D

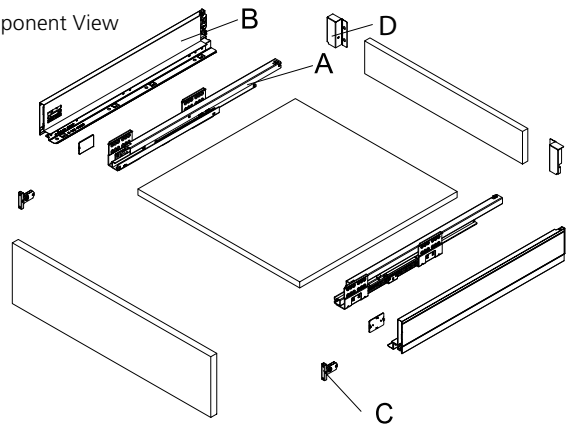


D TSL4 Rear brackets for H86 drawers (pair)



TYPE	WHITE	DARK GREY
H86	TSL4.RB86.W	TSL4.RB86.DG

Component View



DARK GREY

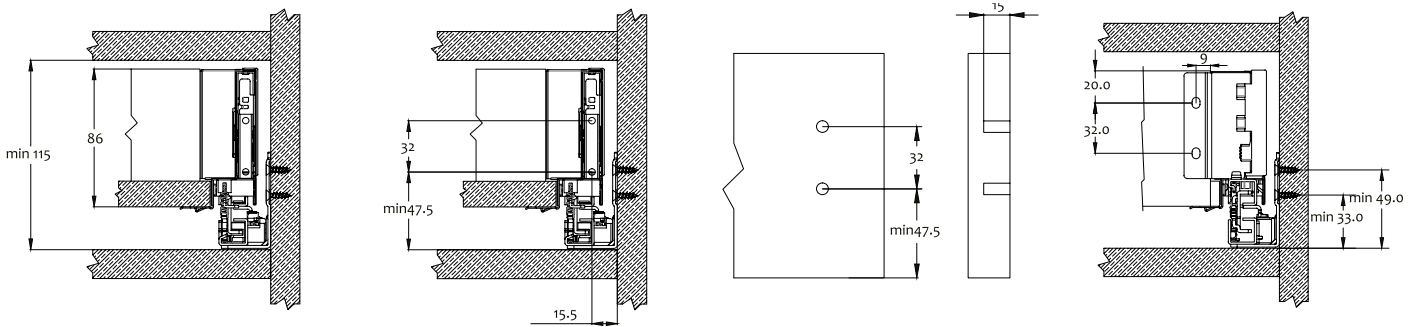


#Available as special order with extended lead times and minimum quantity commitments of 200 per SKU

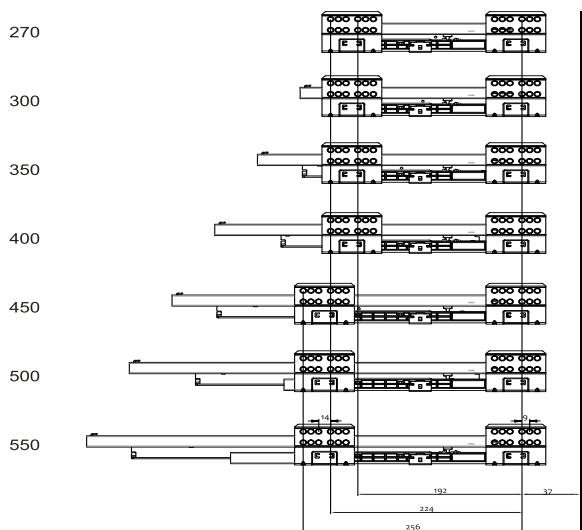
TOPAZ SLIMLINE DRAWER SYSTEM

TOPAZ SLIMLINE DRAWER H86

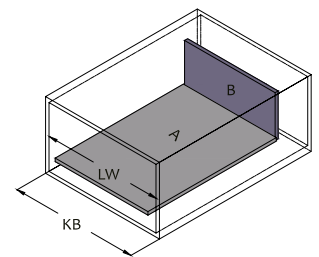
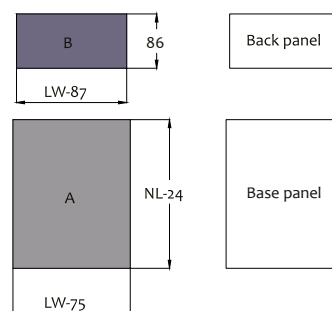
► H86 Technical Information



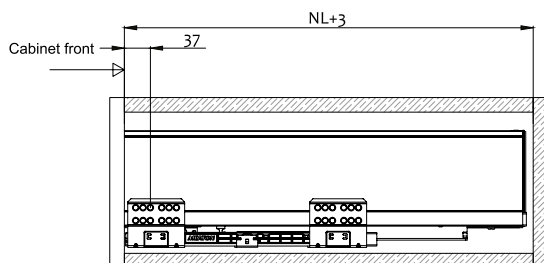
DRAWER SLIDE DIMENSIONS



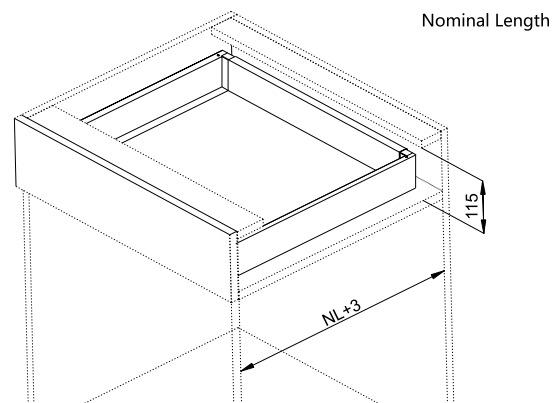
CUTTING DIMENSIONS



KB : Cabinet width
LW : Internal cabinet width
NL : Nominal length



SPACE REQUIREMENTS

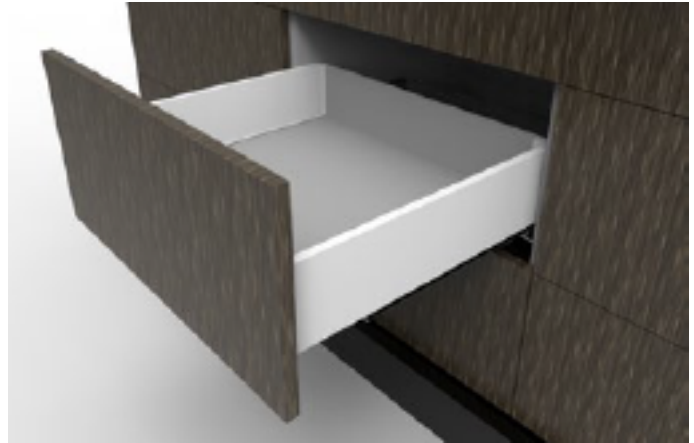


TOPAZ SLIMLINE DRAWER SYSTEM

TOPAZ SLIMLINE DRAWER H118

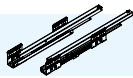
► H118 Maxi drawer, 118mm high

- Maxi height 118mm, ideal for a bank of four added height standard drawers
- Synchronised soft-closing slide runners
- 40 kg load capacity
- Wide range of drawer lengths NL350 to NL550mm
- 3D drawer front adjustment, up & down ± 1.5 mm, left & right ± 1.5 mm
- Choice of screw-fix or expanding dowel front brackets
- Available in white (core range) and dark grey (select drawers)



► H118 Drawer Configuration

A TSL1 Soft-closing drawer slides (pair)



LENGTH	CODE
NL270	TSL1.NL270.SC
NL350	TSL1.NL350.SC
NL400	TSL1.NL400.SC
NL450	TSL1.NL450.SC
NL500	TSL1.NL500.SC
NL550	TSL1.NL550.SC

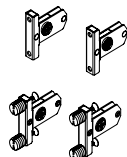
B TSL2 Drawer sides, 118mm high (pair)



LENGTH	WHITE	DARK GREY
NL270	#	#
NL350	TSL2.H118.350.W	#
NL400	TSL2.H118.400.W	#
NL450	TSL2.H118.450.W	#
NL500	TSL2.H118.500.W	TSL2.H118.500.DG
NL550	TSL2.H118.550.W	#

C TSL3 Front connector brackets for H118 drawers (pair)

TYPE	CODE
SCREW-FIX H118	TSL3.FB118.S
EXPANDING DOWEL H118	TSL3.FB118.D

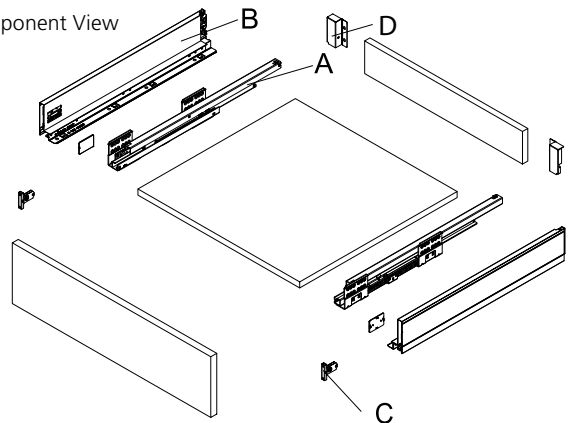


D TSL4 Rear brackets for H118 drawers (pair)

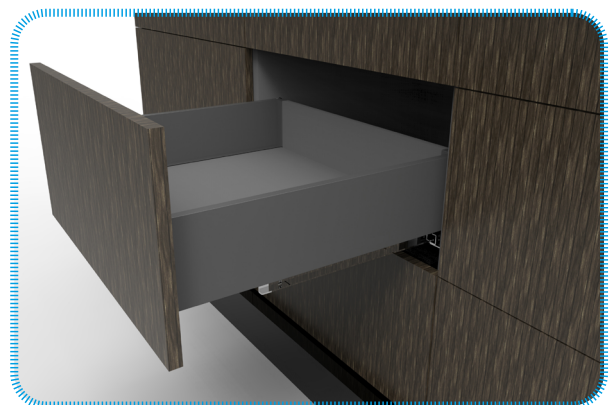


TYPE	WHITE	DARK GREY
H118	TSL4.RB118.W	TSL4.RB118.DG

Component View



DARKGREY



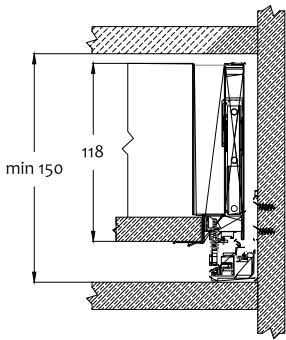
#Available as special order with extended lead times and minimum quantity commitments of 200 per SKU

TOPAZ SLIMLINE DRAWER SYSTEM

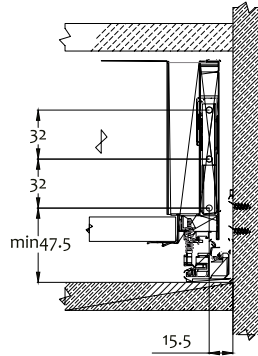
TOPAZ SLIMLINE DRAWER H118

► H118 Technical Information

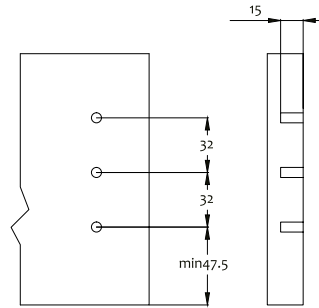
Cabinet space requirement



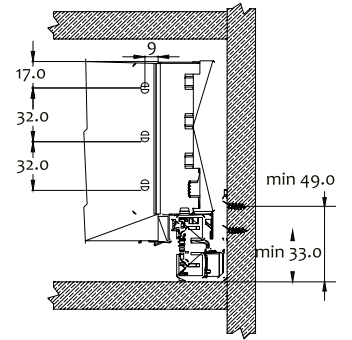
Mounting dimensions
Front brackets



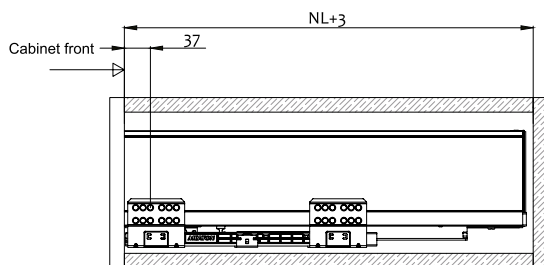
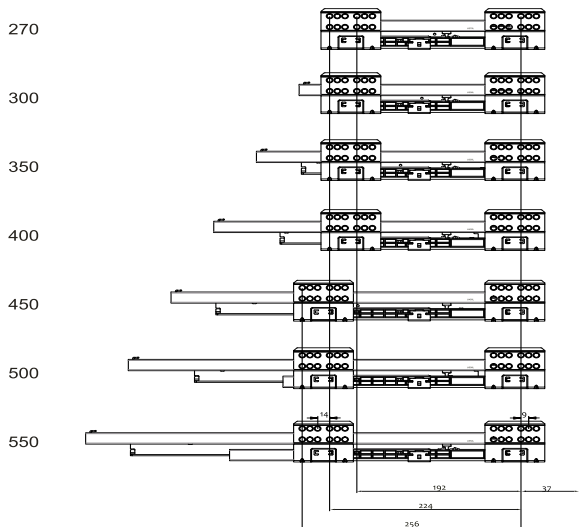
Drilling dimensions
Front panel



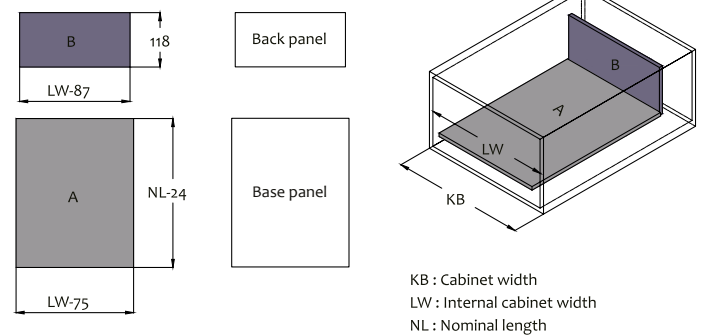
Mounting dimensions
Back panel



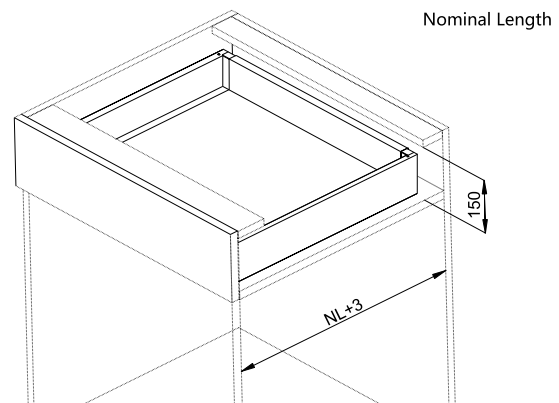
DRAWER SLIDE DIMENSIONS



CUTTING DIMENSIONS



SPACE REQUIREMENTS

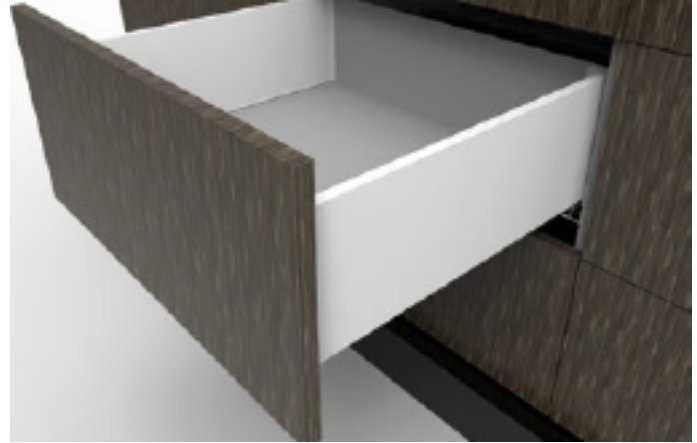


TOPAZ SLIMLINE DRAWER SYSTEM

TOPAZ SLIMLINE DRAWER H167

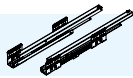
► H167 Mid-height drawer, 167mm high

- Mid-height 167mm, perfect for wardrobes
- Synchronised soft-closing slide runners
- 40 kg load capacity
- Full range of drawer lengths NL270 to NL550mm
- 3D drawer front adjustment, up & down ± 1.5 mm, left & right ± 1.5 mm
- Choice of screw-fix or expanding dowel front brackets
- Available in white (full-range) and dark grey (select drawers)



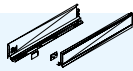
► H167 Drawer Configuration

A TSL1 Soft-closing drawer slides (pair)



LENGTH	CODE
NL270	TSL1.NL270.SC
NL350	TSL1.NL350.SC
NL400	TSL1.NL400.SC
NL450	TSL1.NL450.SC
NL500	TSL1.NL500.SC
NL550	TSL1.NL550.SC

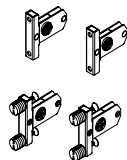
B TSL2 Drawer sides, 167mm high (pair)



LENGTH	WHITE	DARK GREY
NL270	TSL2.H167.270.W	#
NL350	TSL2.H167.350.W	#
NL400	TSL2.H167.400.W	TSL2.H167.400.DG
NL450	TSL2.H167.450.W	#
NL500	TSL2.H167.500.W	TSL2.H167.500.DG
NL550	TSL2.H167.550.W	#

C TSL3 Front connector brackets for H167 drawers (pair)

TYPE	CODE
SCREW-FIX H167/199	TSL3.FB167.199.S
EXPANDING DOWEL H167/199	TSL3.FB167.199.D

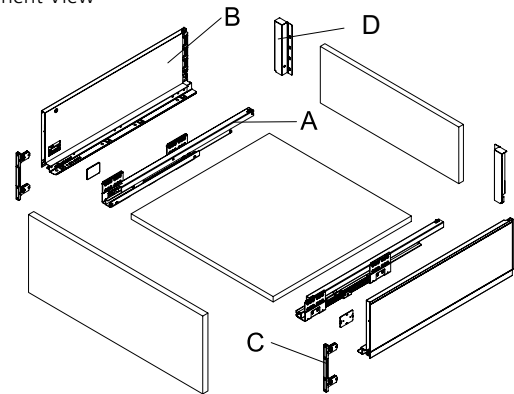


D TSL4 Rear brackets for H167 drawers (pair)

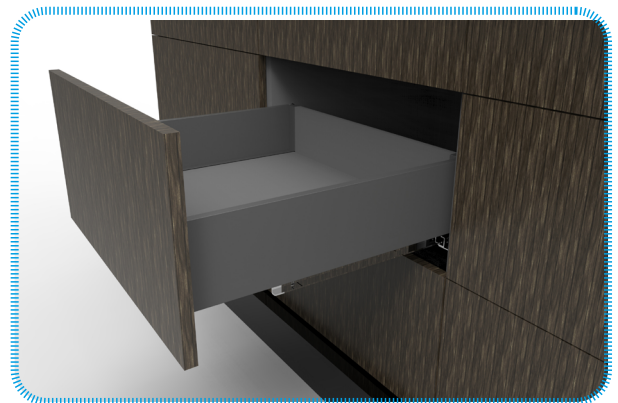


TYPE	WHITE	DARK GREY
H167	TSL4.RB167.W	TSL4.RB167.DG

Component View



DARKGREY



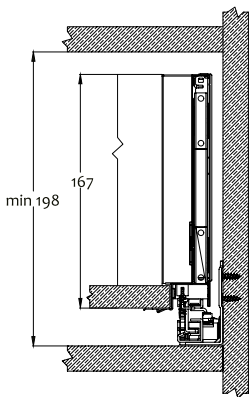
#Available as special order with extended lead times and minimum quantity commitments of 200 per SKU

TOPAZ SLIMLINE DRAWER SYSTEM

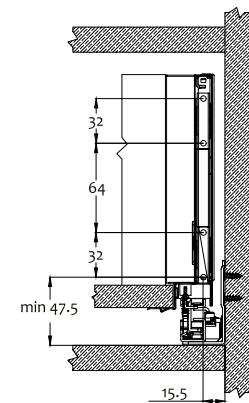
TOPAZ SLIMLINE DRAWER H167

► H167 Technical Information

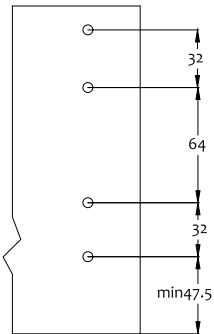
Cabinet space requirement



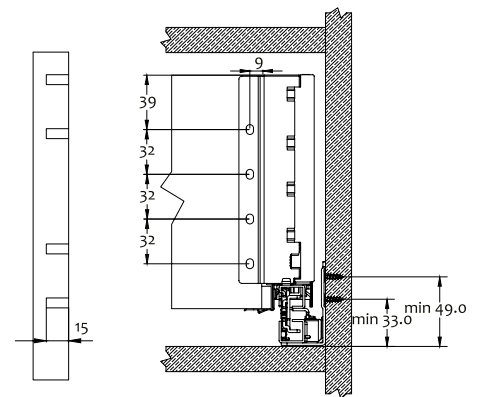
Mounting dimensions
Front brackets



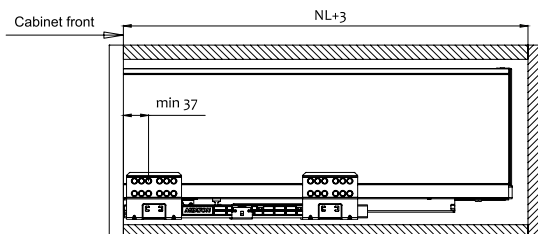
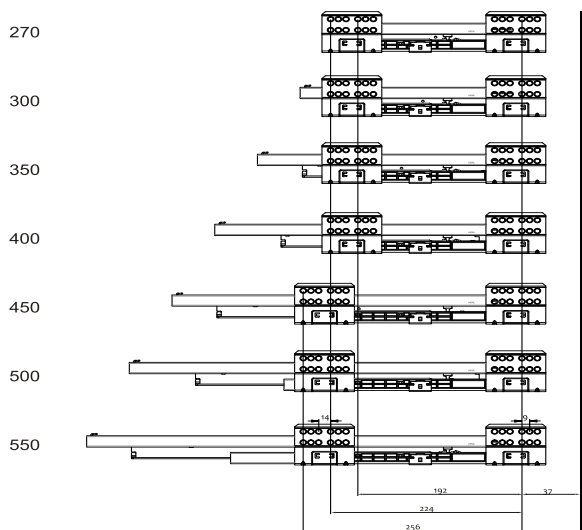
Drilling dimensions
Front panel



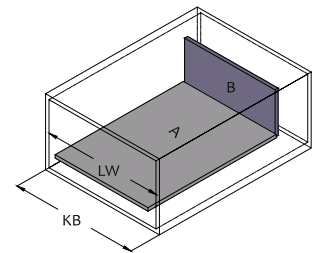
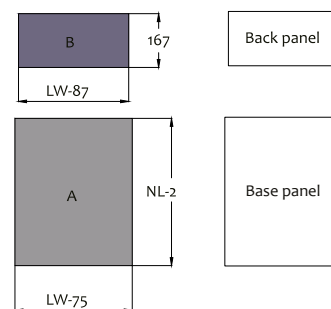
Mounting dimensions
Back panel



DRAWER SLIDE DIMENSIONS

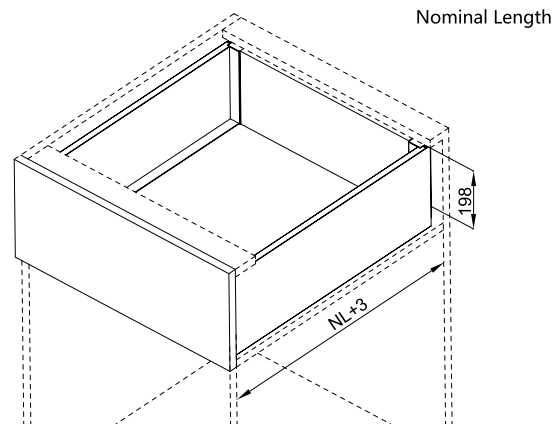


CUTTING DIMENSIONS



KB : Cabinet width
LW : Internal cabinet width
NL : Nominal length

SPACE REQUIREMENTS

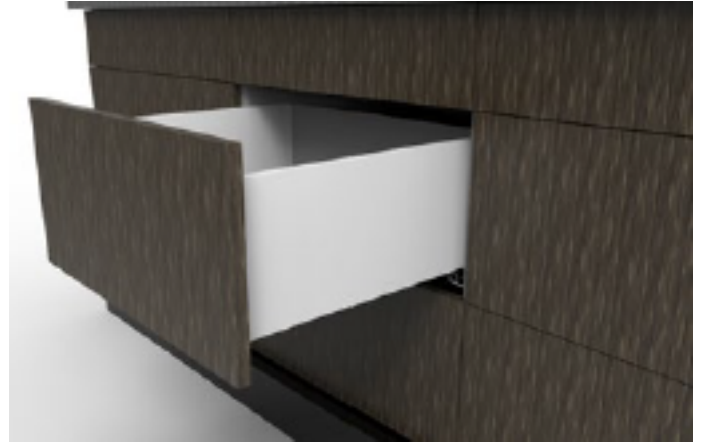


TOPAZ SLIMLINE DRAWER SYSTEM

TOPAZ SLIMLINE DRAWER H199

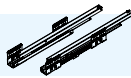
▶ H199 Tall drawer, 199mm high

- Tall 199mm, ideal for pot drawers or as deep drawers in wardrobes
- Synchronised soft-closing slide runners
- 40 kg load capacity
- Wide range of drawer lengths NL350 to NL550mm
- 3D drawer front adjustment, up & down ± 1.5 mm, left & right ± 1.5 mm
- Choice of screw-fix or expanding dowel front brackets
- Available in white (core range) and dark grey (select drawers)



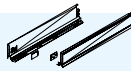
▶ H199 Drawer Configuration

A TSL1 Soft-closing drawer slides (pair)



LENGTH	CODE
NL270	TSL1.NL270.SC
NL350	TSL1.NL350.SC
NL400	TSL1.NL400.SC
NL450	TSL1.NL450.SC
NL500	TSL1.NL500.SC
NL550	TSL1.NL550.SC

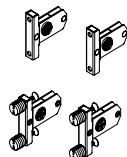
B TSL2 Drawer sides, 199mm high (pair)



LENGTH	WHITE	DARK GREY
NL270	#	#
NL350	TSL2.H199.350.W	#
NL400	TSL2.H199.400.W	#
NL450	TSL2.H199.450.W	#
NL500	TSL2.H199.500.W	TSL2.H199.500.DG
NL550	TSL2.H199.550.W	#

C TSL3 Front connector brackets for H199 drawers (pair)

TYPE	CODE
SCREW-FIX H167/99	TSL3.FB167.199.S
EXPANDING DOWEL H167/199	TSL3.FB167.199.D

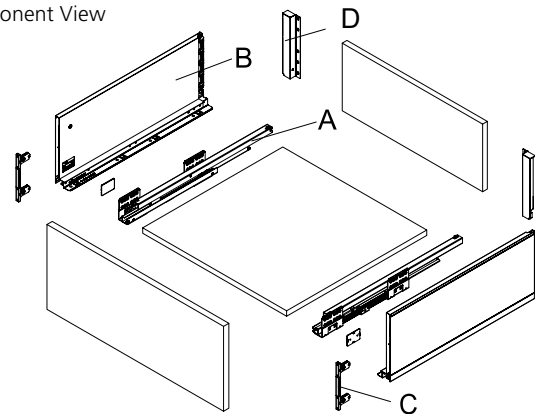


D TSL4 Rear brackets for H199 drawers (pair)

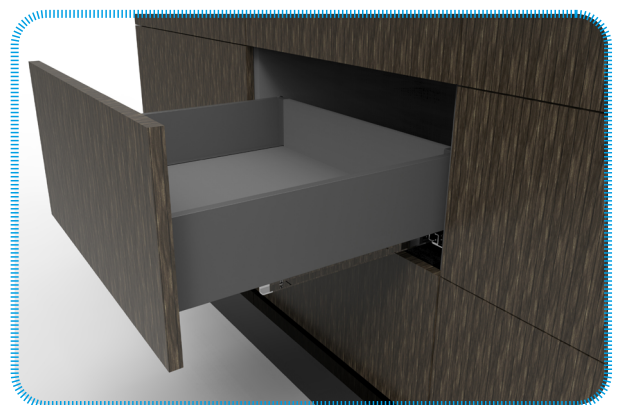


TYPE	WHITE	DARK GREY
H199	TSL4.RB199.W	TSL4.RB199.DG

Component View



DARKGREY



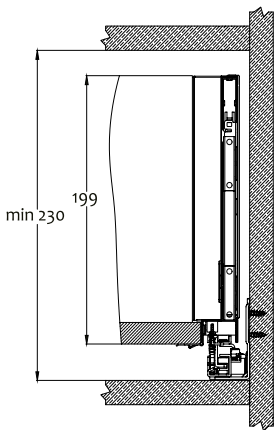
#Available as special order with extended lead times and minimum quantity commitments of 200 per SKU

TOPAZ SLIMLINE DRAWER SYSTEM

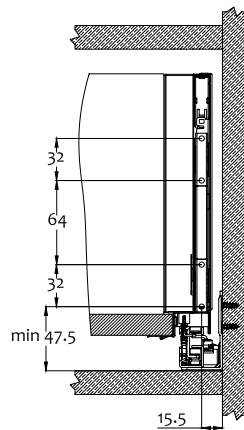
TOPAZ SLIMLINE DRAWER H199

► H199 Technical Information

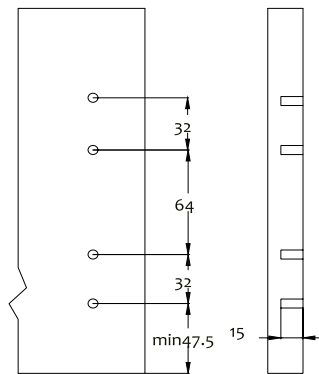
Cabinet space requirement



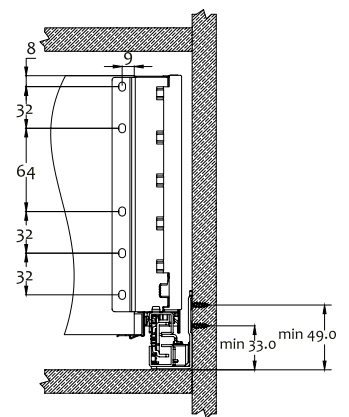
Mounting dimensions
Front brackets



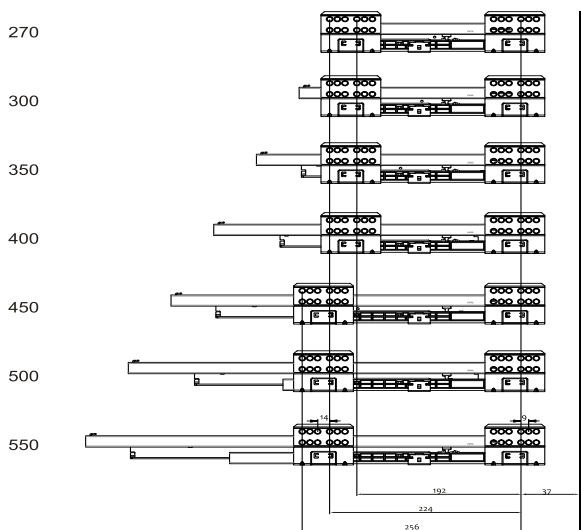
Drilling dimensions
Front panel



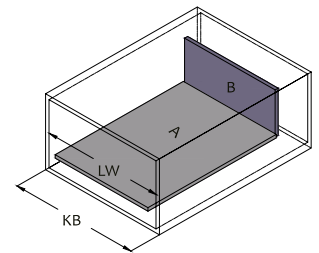
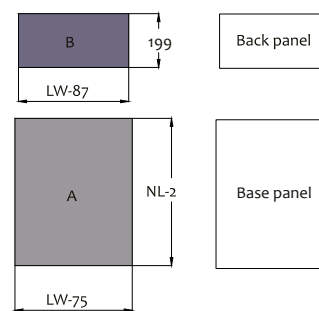
Mounting dimensions
Back panel



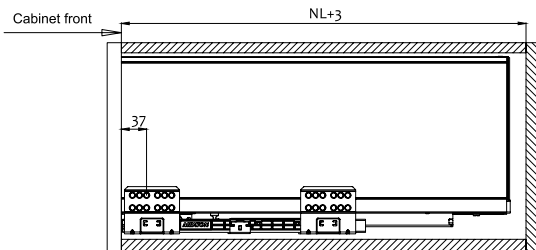
DRAWER SLIDE DIMENSIONS



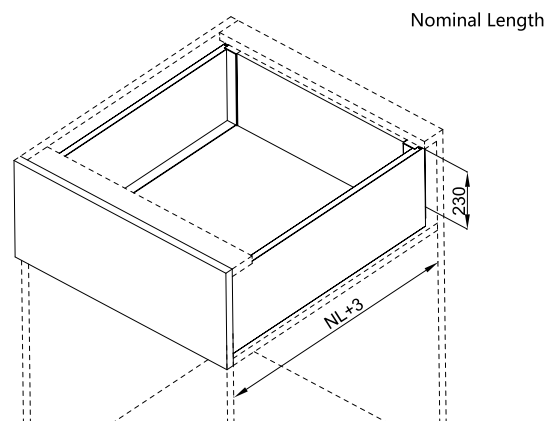
CUTTING DIMENSIONS



KB : Cabinet width
LW : Internal cabinet width
NL : Nominal length



SPACE REQUIREMENTS



TOPAZ SLIMLINE DRAWER SYSTEM

INDEX PART NUMBERS

INDEX PART NUMBER	Page
H86	6
H118	8
H167	10
H199	12
TSL1.NL270.SC	6.8.10.12
TSL1.NL350.SC	6.8.10.12
TSL1.NL400.SC	6.8.10.12
TSL1.NL450.SC	6.8.10.12
TSL1.NL500.SC	6.8.10.12
TSL1.NL550.SC	6.8.10.12
TSL2.H86.270.W	6
TSL2.H86.350.W	6
TSL2.H86.400.DG	6
TSL2.H86.400.W	6
TSL2.H86.450.W	6
TSL2.H86.500.DG	6
TSL2.H86.500.W	6
TSL2.H86.550.W	6
TSL2.H118.350.W	8
TSL2.H118.400.W	8
TSL2.H118.450.W	8
TSL2.H118.500.DG	8
TSL2.H118.500.W	8
TSL2.H118.550.W	8
TSL2.H167.270.W	10
TSL2.H167.350.W	10
TSL2.H167.400.DG	10
TSL2.H167.400.W	10
TSL2.H167.450.W	10
TSL2.H167.500.DG	10
TSL2.H167.500.W	10
TSL2.H167.550.W	10
TSL2.H199.350.W	12
TSL2.H199.400.W	12
TSL2.H199.450.W	12
TSL2.H199.500.DG	12
TSL2.H199.500.W	12
TSL2.H199.550.W	12
TSL3.FB86.D	6
TSL3.FB86.S	6
TSL3.FB118.D	8
TSL3.FB118.S	8
TSL3.FB167.199.D	10.12
TSL3.FB167.199.S	10.12
TSL4.RB86.DG	6
TSL4.RB86.W	6
TSL4.RB118.DG	8
TSL4.RB118.W	8
TSL4.RB167.DG	10
TSL4.RB167.W	10
TSL4.RB199.DG	12
TSL4.RB199.W	12



CABINET HARDWARE SYSTEMS

TOPAZ SLIMLINE DRAWER SYSTEM

Version 2.0

Australia

1800 008 591 □ www.artia.com.au

VICTORIA:

235 Settlement Road,
Thomastown VIC 3074

NEW SOUTH WALES:

6 Nello Place,
Wetherill Park NSW 2164

QUEENSLAND:

Building 2/660 MacArthur
Avenue, Pinkenba QLD 4008

SOUTH AUSTRALIA:

13 Rosberg Road,
Wingfield SA 5013

WESTERN AUSTRALIA:

Unit 5/1 Dellamarta Road,
Wangara WA 6065

New Zealand

0800 267 625 □ www.artia.co.nz

AUCKLAND:

11 Bruce Roderick Drive,
East Tamaki, Auckland 2013

CHRISTCHURCH:

117 Wrights Road,
Addington, Christchurch 8024