



CABINET HARDWARE SYSTEMS

BMB LOCKS

#BMB-L

Australia

1800 008 591 ■ www.artia.com.au

VICTORIA:

235 Settlement Road,
Thomastown VIC 3074

NEW SOUTH WALES:

Unit 1/429 Victoria Street,
Wetherill Park NSW 2164

QUEENSLAND:

Building 2/660 MacArthur
Avenue, Pinkenba QLD 4008

SOUTH AUSTRALIA:

13 Rosberg Road,
Wingfield SA 5013

WESTERN AUSTRALIA:

Unit 1B/15 Hector Street,
Osborne Park WA 6017

New Zealand

0800 267 625 ■ www.artia.co.nz

AUCKLAND:

11 Bruce Roderick Drive,
East Tamaki, Auckland 2013

CHRISTCHURCH:

117 Wrights Road,
Addington, Christchurch 8024

ARTIA'S BRANCH NETWORK

The Artia network has seven branches spanning both Australia and New Zealand. This allows us to offer an extensive range of products as well as expert advice and service to manufacturers and suppliers involved in the cabinet and furniture industries.

Our Customer Service teams are available to take your orders and answer your queries in Australia on 1800 008 591 or New Zealand on 0800 267 625 (both numbers are toll free), or visit www.artia.com.au or www.artia.co.nz





P10



P10



P11



P11



P13



P12



P21



P18



P20



P23



P22



P14



P15



P24



P24



P25



P30



P30



P46



P34 P36



P41



P31 P43



P42



P38



P28



P43



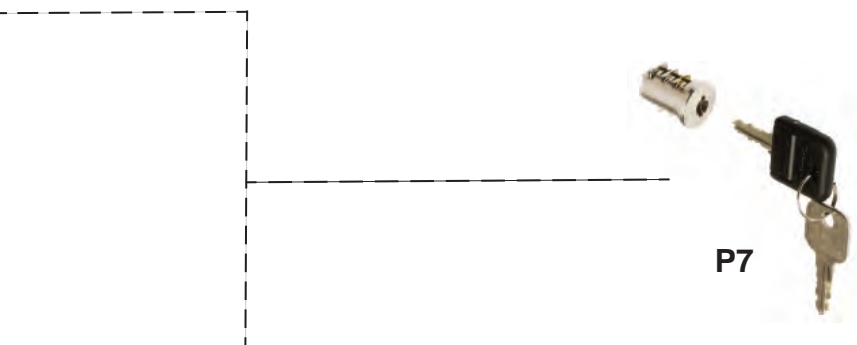
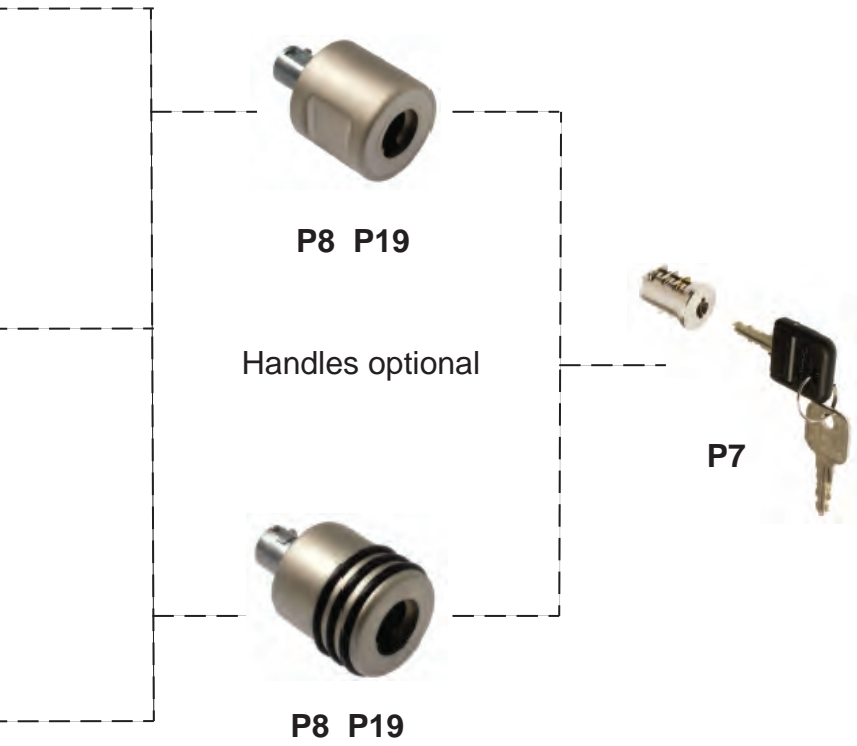
P47



P48



P49

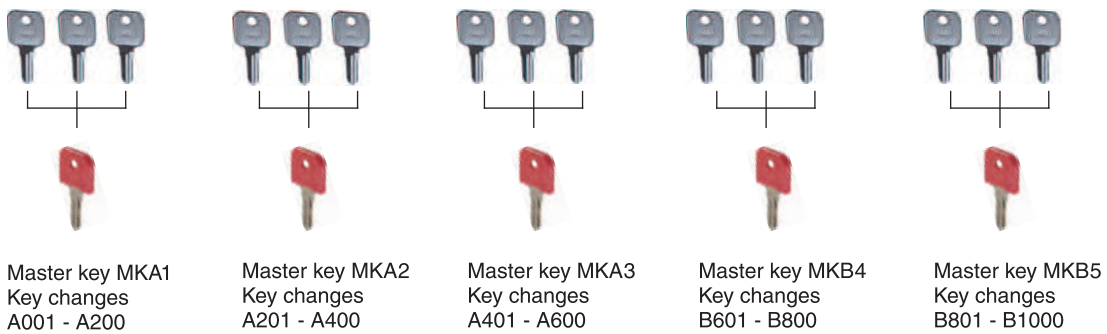


Master key systems with wafer cylinder Modul 1000

Master key and General master key system

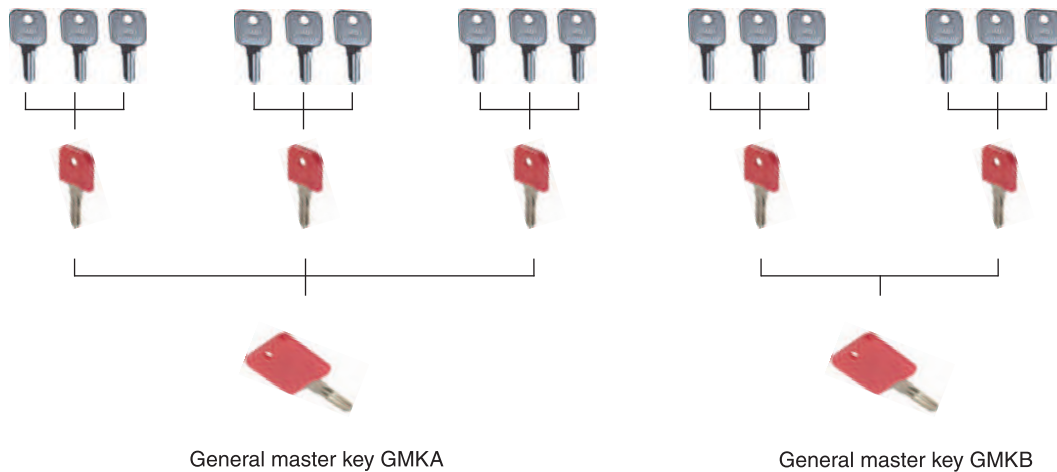
- 1000 different key changes available
- 5 Master keys in groups of 200 different key changes
- 1 general master key for 600 key changes
A001 - A600
- 1 general master key for 400 key changes
B601 - B1000

Master key system Modul 1000



(Master key and General Master key range MKB not available through the open market)

General master key system Modul 1000





Changing key with yellow cover cap

 1

For	Mark	Art. No.
A001-A600	IKA	326801



General master key GMK with large cover cap

 1

For	Mark	Art. No.
A001-A600	GMKA	326800



Master key MK with red cover cap

Material: brass nickel pl.

 1

For	Mark	Art. No.
A001-A200	MKA1	326802
A201-A400	MKA2	326803
A401-A600	MKA3	326804

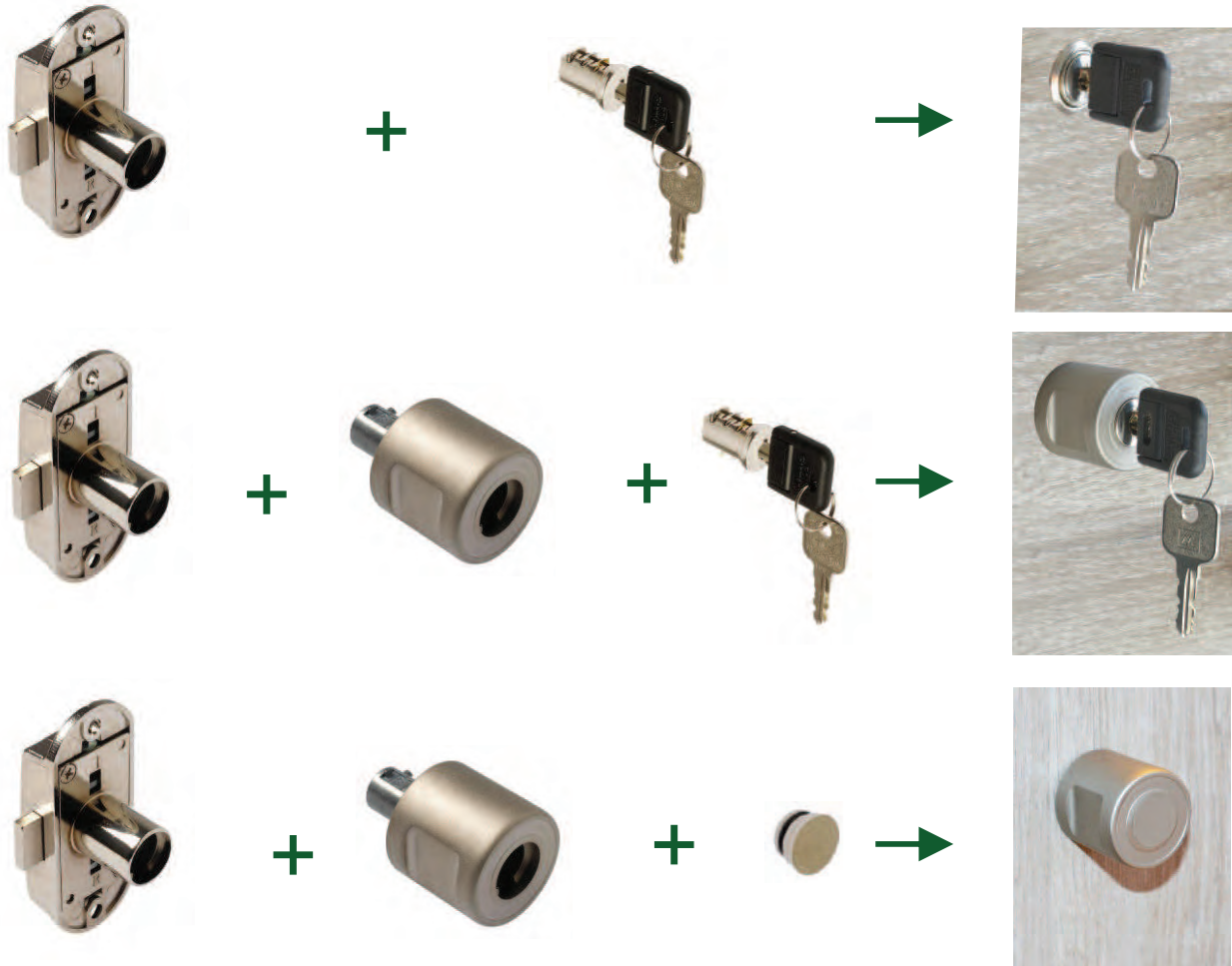


Key blank
Not suitable for master or changing key

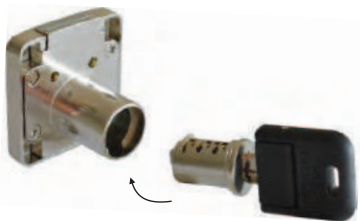
 100

For	Art. No.
A001-A200	326808
A201-A400	326807
A401-A600	326806

Possible options:

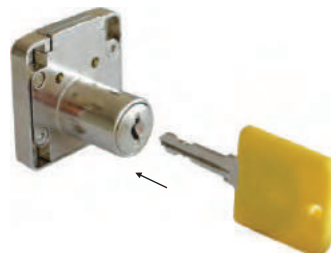


Installation



1. Using the original key, the cylinder core can be easily inserted directly into the lock housing.

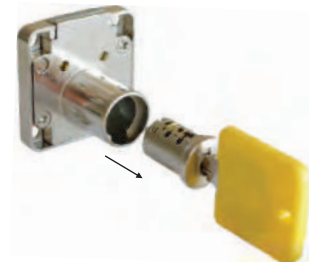
Removal



1. Insert the changing key into the cylinder.

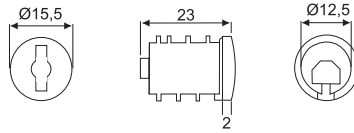


2. This releases the cylinder core from the housing.



3. Remove the cylinder core with the changing key from the housing.

Dimensions not binding



For all MODUL 1000 locks and turn handles, with 1x flap key, black and 1x standard key

Material:

Core in zinc alloy, keys in brass nickel plated

1 / 50

The key code is marked on keys and on cylinder core

Keys to differ

Art. No.

A 001- 200	326200
A 201- 400	326204
A 401- 600	326206

* Additional keys to differ, please contact Artia for details. Minimum Order quantity and extended lead time may apply.



The key code is marked on keys and on cylinder core.

For all MODUL 1000 locks and turn handles, with 1x flap key, black and 1x standard key

Material:

Core in zinc alloy, keys in brass nickel plated

1 / 50

Keyed alike

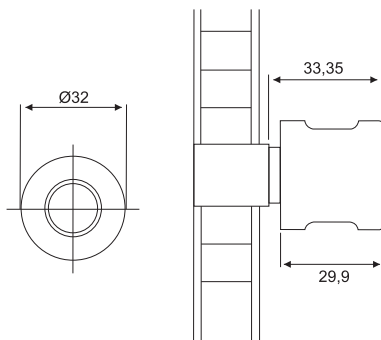
Art. No.

A 001	326001
A 002	326002
A 003	326003
A 004	326004
A 005	326005
A 006	326006
A 007	326007
A 008	326008
A 009	326009
A 010	326010
A 011	326011
A 012	326012
A 013	326013
A 014	326014
A 015	326015
A 016	326016
A 017	326017
A 018	326018
A 019	326019
A 020	326020
A 021	326021
A 022	326022
A 023	326023
A 024	326024
A 025	326025
A 026	326026
A 027	326027
A 028	326028
A 029	326029
A 030	326030

* Additional keyed alike, please contact Artia for details. Minimum order quantity and extended lead time may apply.



The flap key: The flap part flexes to both sides to minimise damage to the inserted key, and therefore also reduces the risk of injury.



Lockable turn handle
for cylinder cores Modul 1000

For board thickness up to: **22mm**

Accessories:
1 x Cover cap
1 x Release pin

Material: Zinc alloy
Finish: Nickel plated matt

20

Art. No.
326856

Cover cap

The cover cap has to be inserted to cover the cylinder housing



Release pin

To remove the turn knob from the lock housing.

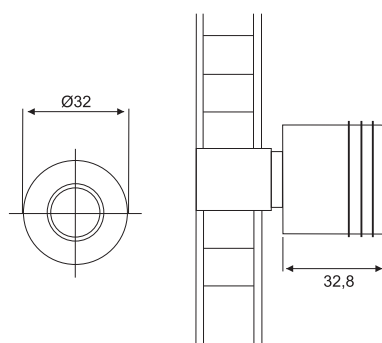
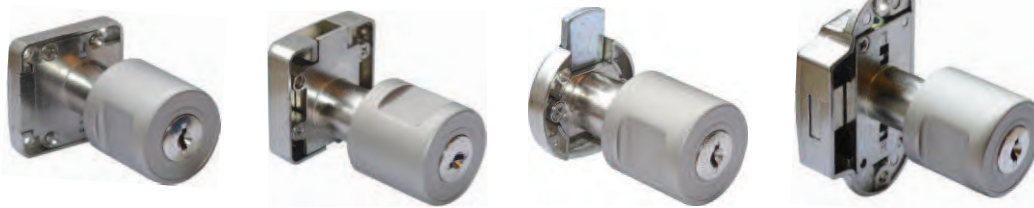


with Cover cap



with Cylinder core

Example of use:



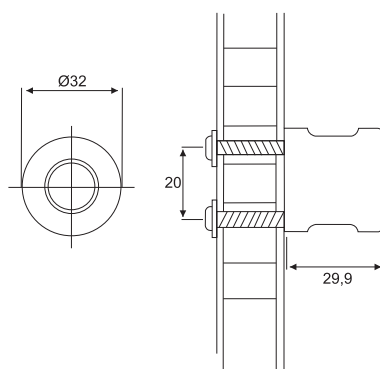
Lockable turn handle with rings for
cylinder cores Modul 1000

Accessories:
1 x Release pin and 1 x Cover cap

Material: Zinc alloy
Finish: Nickel plated matt

20

Application	Art. No.
BMB Lock housings	3261410
Symo + Cyber Lock housings	3261420



Handle, fixed

Accessories: 2 screws M4 x 24mm

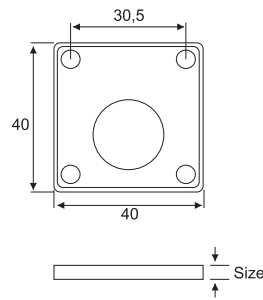
Material: Zinc alloy

20

Finish	Art. No.
Nickel plated matt	* 326865

* Available as indent order with minimum order quantities and additional lead times. Please contact Artia for details.

Dimensions not binding



Spacer for rim locks and screw-on locks

Material: Plastic

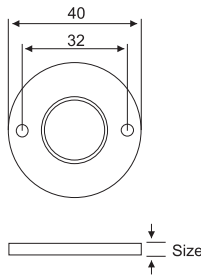
20

Size

Art. No.

2.0mm

3261502.102



Spacer for rim locks and inlaid locks

Material: Plastic

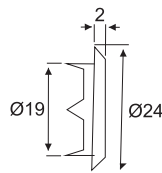
20

Size

Art. No.

1.0mm

3261502.121



Cylinder rosette for 19mm bore hole

Material: Steel

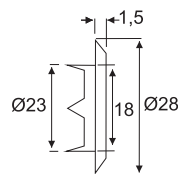
100

Finish

Art. No.

Nickel plated

326810



Cylinder rosette for 22-23mm bore hole, reduced to 18mm cylinder diameter

Material: Steel

100

Finish

Art. No.

Nickel plated

3261049.121



Adjustable right or left, backset 25mm

Material: Zinc alloy nickel plated

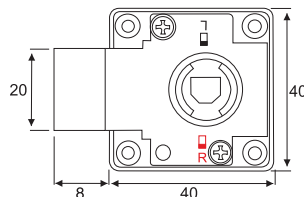
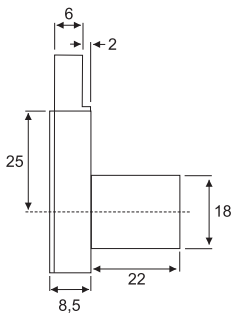
20

Art. No.

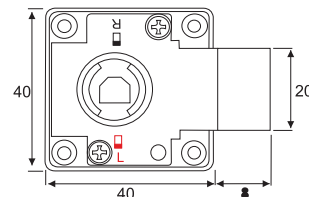
22mm

326305

\varnothing 3,5mm



Right



Left

Position of the pin in closing position



22mm

Drawer, backset 25mm

For board thickness up to 32mm

Material: Zinc alloy nickel plated

20

Art. No.

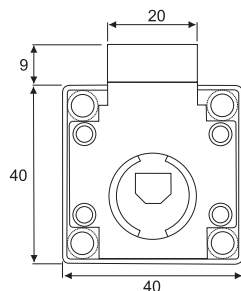
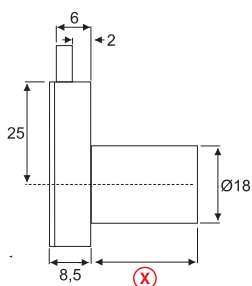
Drawer 22mm

326300

Drawer 32mm

326308

\varnothing 3,5mm



32mm



Dimensions not binding



Drawer, backset 25mm with long latch travel 22mm

Material: Zinc alloy nickel plated

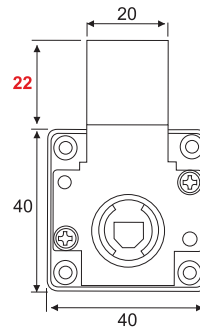
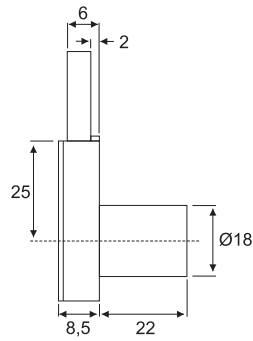
20

Art. No.

Right

326306

$\varnothing 3,5\text{mm}$



Multi purpose inlaid lock

Material: Zinc alloy nickel plated

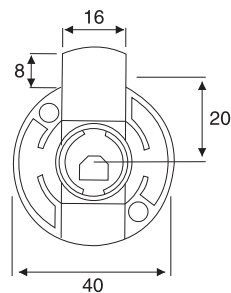
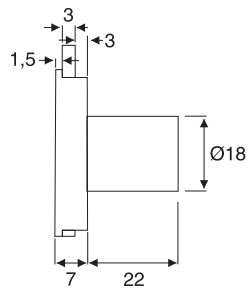
20

Art. No.

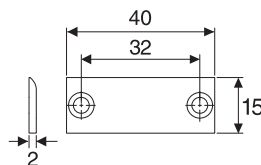
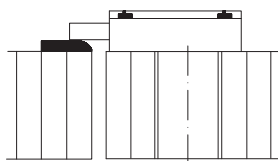
Drawer

326310

$\varnothing 3,5\text{mm}$



Custom latch design available upon customer request.
Minimum order quantity 2,000 pcs.



Distance shim for latch locks

Material: Plastic

200

Colour

Black

Art. No.

326815



Double door lock, drawer and right

Material: Zinc alloy

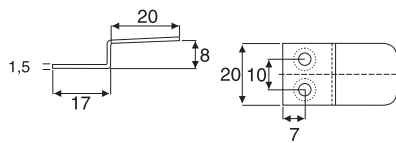
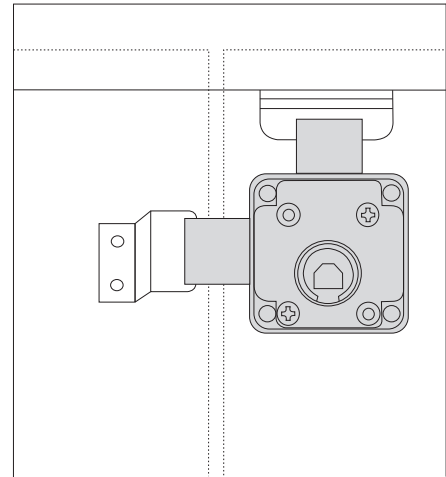
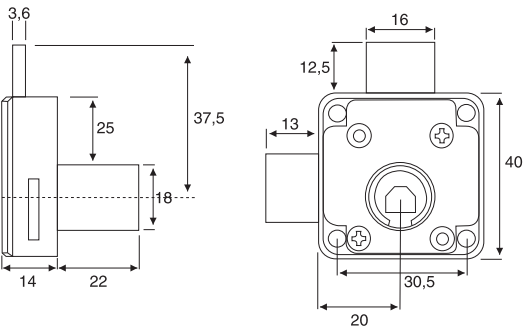
20 / 100

Finish

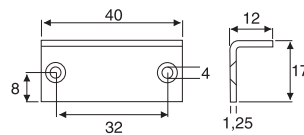
Art. No.

Nickel plated

326416



Counterpart for double door lock included. Striker plate to be ordered separately.



Striking plate 40

Material: Steel

20 / 200

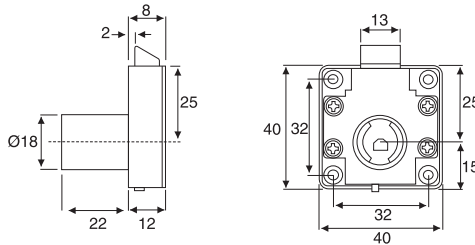
Finish

Art. No.

Nickel plated

426272

\varnothing 3.0mm



Slam lock with double function

Material: Zinc alloy, nickel plated

20

Art. No.

326350



Push bolt into right position:

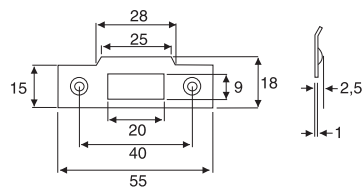
Latch snaps into position when lock is closed. Latch will be held in open position by turning the key 180 degr. anti-clock wise.

Core installation as well as key removal only possible in this position.



Push bolt into left position:

Slam latch does not lock in open position. In this position the key and the core are not removable.



Striking plate 55

Material: Steel

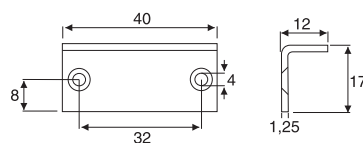
100

Finish

Art. No.

Nickel plated

326351



Striking plate 40

Material: Steel

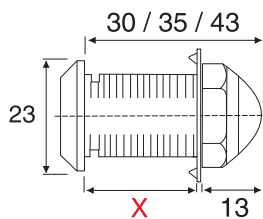
20 / 200

Finish

Art. No.

Nickel plated

426272



Cam/lever lock with nut fixture, with pre-installed Lever 35mm (3261506.33)

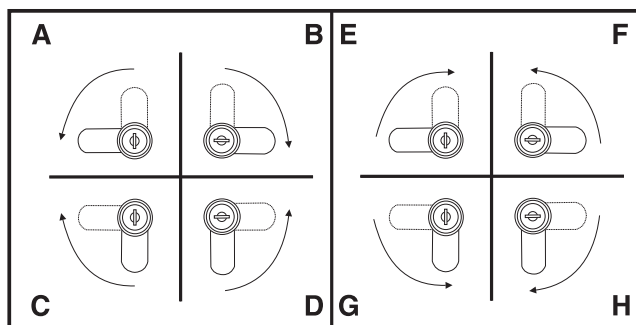
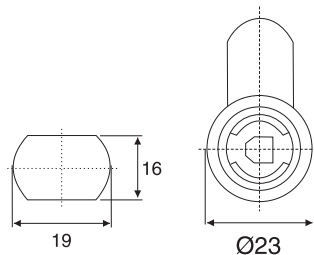
Locking travel: 90°

Material: Zinc alloy, nickel plated

20

X = (max. door thickness)

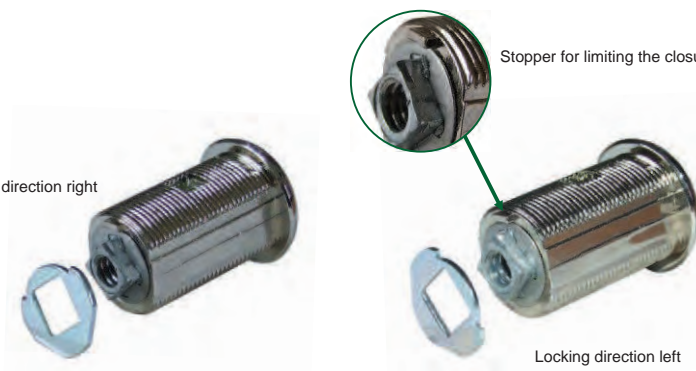
	Art. No.
17mm	326406
22mm	326402
30mm	326400



Adjustable for right and left turn

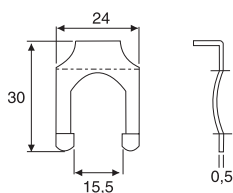


Locking direction right



Stopper for limiting the closure travel

Locking direction left

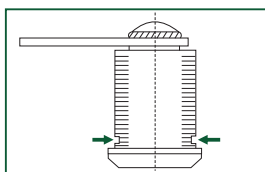


Steel clamp for metal furniture, quick-fit installation

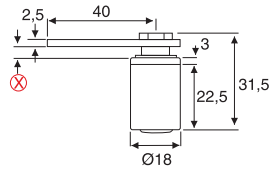
Material Thickness: 0.8 - 1.5mm

20

Finish	Art. No.
Nickel plated	326409



Dimensions not binding

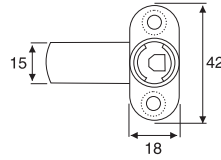


American lever lock, screw-on type, with pre-installed lever 40mm* (1506.034)

Material: Zinc alloy nickel plated

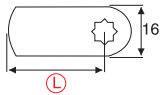
20

Locking travel 90°



	Art. No.
3.5mm	326410

*Lever in different lengths and variations
Please order separately

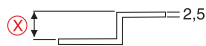
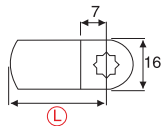


Lever straight for lever locks

Material: Steel, zinc plated

20

L =	Art. No.
20mm	3261506.030
30mm	326891
35mm	3261506.033
55mm	326896

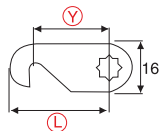


Lever offset for lever locks

Material: Steel, zinc plated

20

X =	L =	Art. No.
6mm	30mm	326897
9mm	40mm	326899



Lever with hook for lever locks

Material: Steel, zinc plated

20

L =	Y =	Art. No.
40mm	32mm	3261506.024



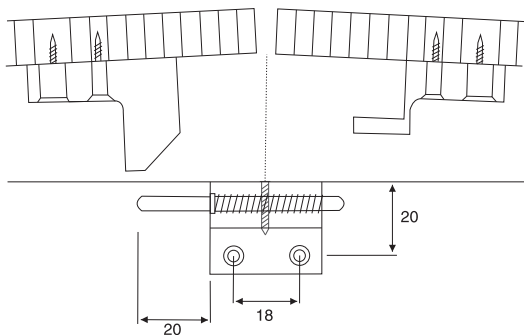
Auto catch for wooden double doors, complete with activator and catch

Material: Plastic (ABS)

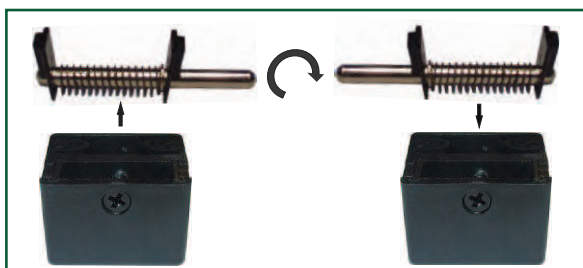
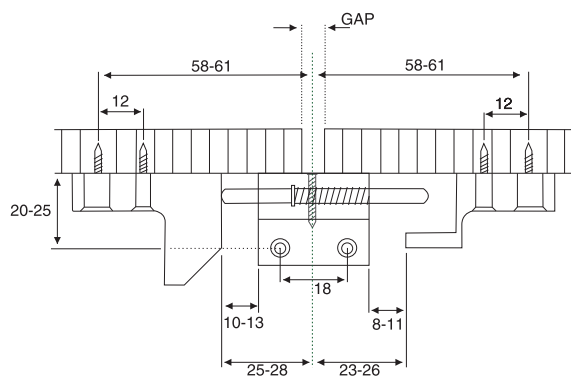
Finish: Black

10

Installation	Art. No.
Top fixing	326874
Bottom fixing	327031



For optimum locking of doors taller than 1,800mm use top and bottom fixing.



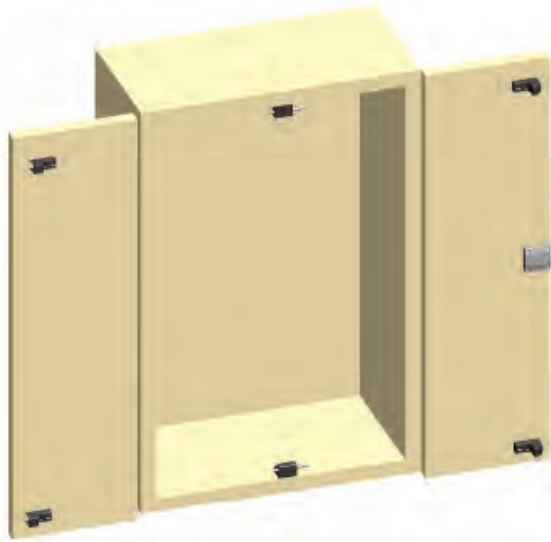
Adjustment for top or bottom installation:
Remove screw and locking pin from housing, turn 180° and slide in again.



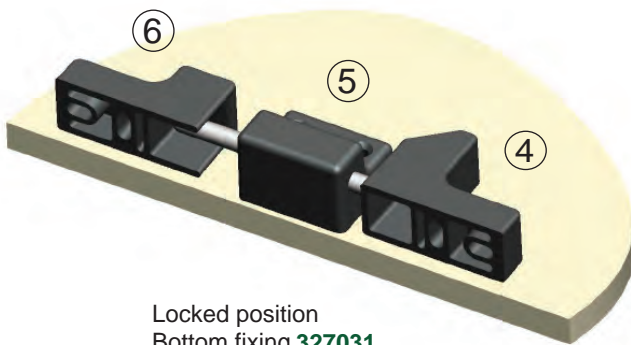
Product video
Watch the Youtube-Video

Dimensions not binding

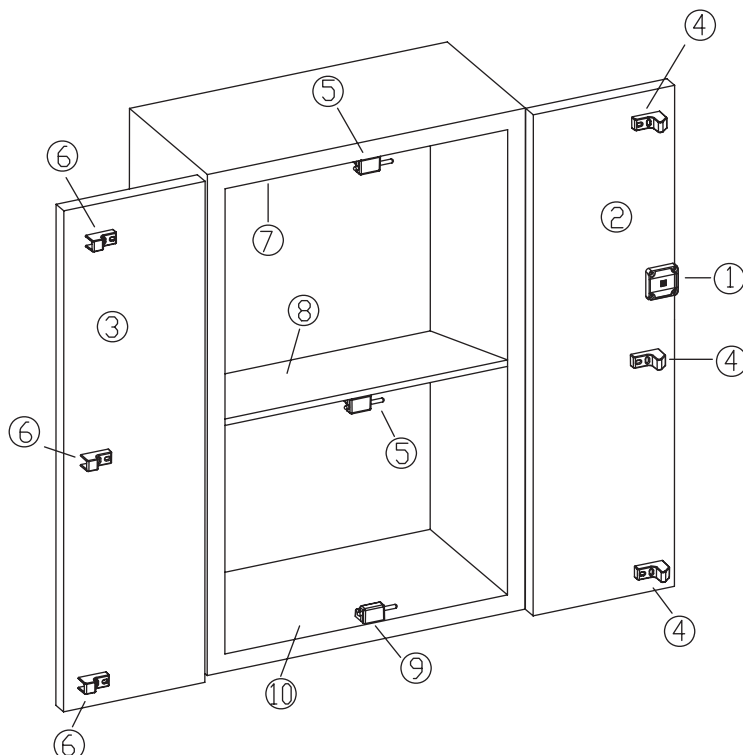
Double Door Auto Catch eliminates the use of a Barrel Bolt



- * No need to reach inside cabinet to release Barrel Bolt
- * **To close** close the non locking door followed by the locking door
- * **To open** open the locking door followed by the non locking door
- * Allows two or three point locking of standard cabinets when used with lock
- * Easy to use and install
- * Exceeds pull force of 75 kg



- ④ Activator
- ⑤ Locking latch
- ⑥ Catch



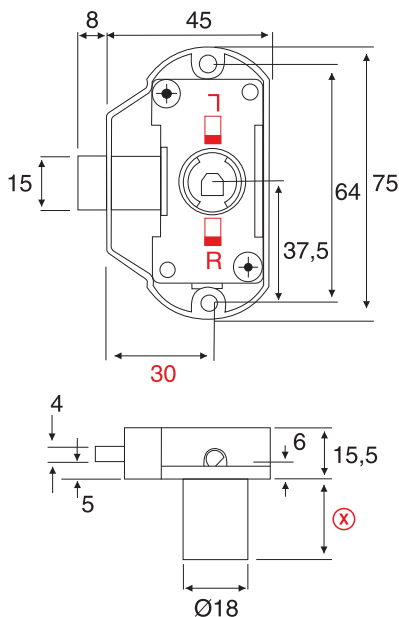
How to install?

- * Mount the cabinet lock ① on the right hand door ②
- * Inside of the right hand door ② install the activator ④
- * Inside of the left hand door ③ install the catch ⑥
- * Install the locking latch ⑤ Art. No. **326874** underneath top of the cabinet ⑦ or alternatively, underneath a fixed shelf ⑧
- * **Cabinets exceeding 1.60m height** install an additional locking latch ⑨ Art. No. **327031** on the bottom panel ⑩ inside the cabinet

How to operate?

- * Always close left hand door ③ first
- * Close the right hand door ②, the activator ④ pushes the bolt of the locking catch ⑤ to the other side and engages into the catch ⑥ of the left hand door ③
- * Turn the key of the cabinet lock ① into locked position; the double doors are now locked securely
- * To open - unlock the cabinet lock, open the right hand door first, the locking bolt disengages from the catch, both doors are open

Three point locking system for large single or double doors, maximum cabinet height up to 2500mm.
 By activating the central lock with key or lockable Turn Handle, the upper and lower catch hooks engage with the locking bolts mounted on the cabinet top and lower base.
 Can be installed on left or right hand doors. Single door to be used with striking plate. Double door to be used with stop plate.



Screw-on type

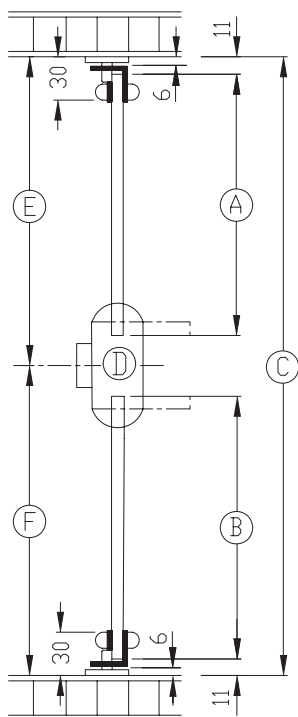
Backset: **30mm**

For divided profile rods Ø 6/5mm

Material: Zinc alloy, nickel plated

20

Closure		Art. No.
Left-right adjustable	22mm	326329

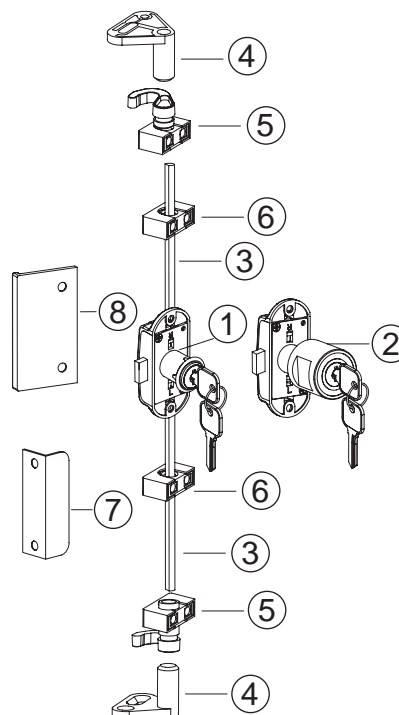


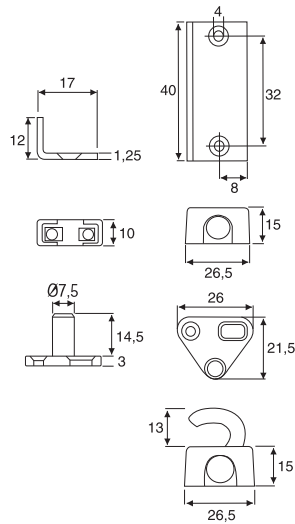
Installation information

- A - upper rod length = top to centre (E) of lock case (D) minus 31 mm
- B - lower rod length = bottom to centre (F) of lock case (D) minus 31 mm
- C - internal cabinet height top to bottom
- D - Espagnolette lock case

General Information

- ① - Espagnolette lock case - **326329**
- ② - lockable turn handle - **326856**
- ③ - profile rod 6/5mm - **326826**
- Set of accessories - 3261451** consisting of:
 - ④ - locking bolt
 - ⑤ - catch hook
 - ⑥ - rod guides
 - ⑦ - striking plate for single door
 - ⑧ - stop plate for double door - **326837**





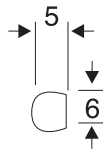
Set of accessories for espagnolette locks screw-on type, in polybag

Consisting of:

- 1 pair of catch hook (5)
- 2 pcs rod guides (6)
- 2 pcs locking bolts (4)
- 1 pc striking plate (7)

20

Finish	Art. No.
Nickel plated	3261451



Profile rod 6/5mm

Material: Steel

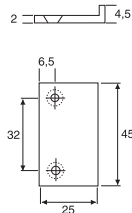
Finish: Nickel plated

1

Length	Art. No.
1500mm	326826



Ø 3,0mm



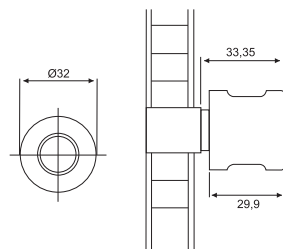
Stop plate for double door

Length: 45mm

Material: Steel

20

Finish	Art. No.
Nickel plated	326837



Lockable turn handle for cylinder cores

Accessories: 1 x Cover cap, 1 x Release pin

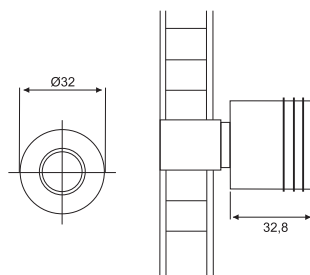
Material: Zinc alloy

Finish: Nickel plated matt

20

Art. No.

326856



Lockable turn handle with rings for cylinder cores Modul 1000

Accessories:

1 x Release pin

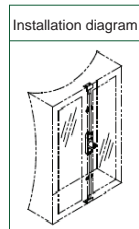
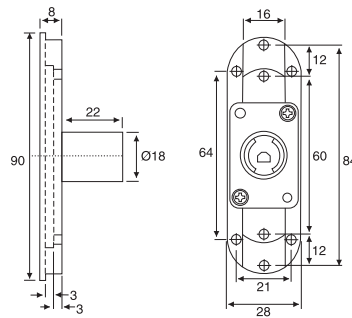
Material: Zinc alloy

Finish: Nickel plated matt

20

Art. No.

3261410



Ø 3,5mm

Push rod lock

Material: Zinc alloy nickel plated

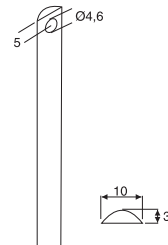
1

Art. No.

*** 3261431.100**

Cabinets exceeding height of 1.80m please use for each upper and lower half round rod 2 pcs bar guides 1212.300

* Push rod locks and accessories, please contact Artia for details. Minimum order quantity and extended lead time may apply.



Bar solid, half round 10x3mm, straight

Material: Steel, nickel plated

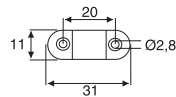
1

Length

Art. No.

1500mm

*** 3261451.520**



Ø 3,0mm

Bar guide

Material: Steel

Finish

Art. No.

Nickel plated

*** 3261212.300**



Clip on stop

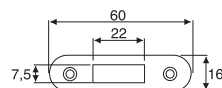
Material: Plastic

Finish

Art. No.

Black

*** 3261212.415**



Ø 3,0mm

Striking plate 60 x 16mm

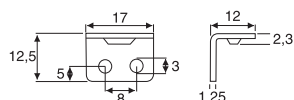
Material: Steel

Finish

Art. No.

Nickel plated

326847



Ø 3,0mm

Striking plate

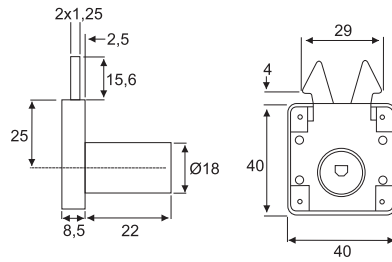
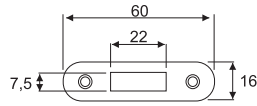
Material: Steel

Finish

Art. No.

Nickel plated

*** 3261501.210**



Roller shutter rim lock with striking plate

Backset: **25mm**

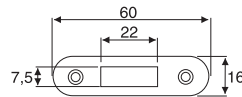
Material: Zinc alloy nickel plated

20

Art. No.

Drawer

326420



Striking plate 60 x 16mm

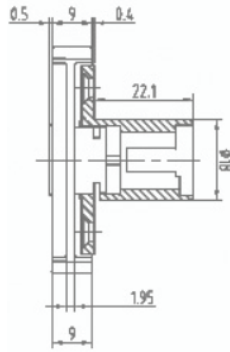
Material: Steel

Finish

Nickel plated

Art. No.

326847



Roller shutter lock with striker

Material:
Housing - zinc alloy
Body - ABS plastic

20

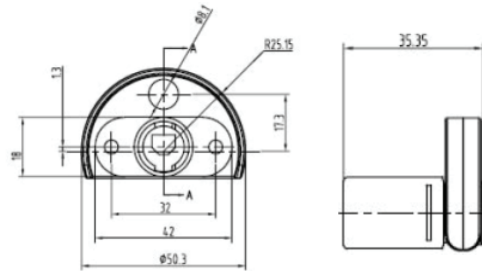
Finish
Nickel plated / black

Art. No.
326996

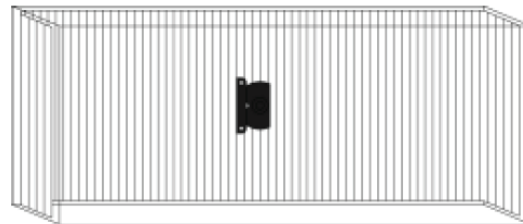
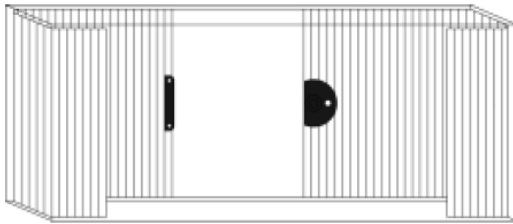
\varnothing 3,5mm



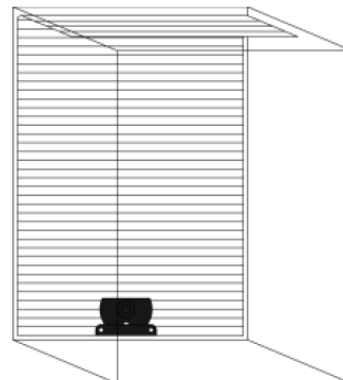
To install the lock, the black half-circle disk has to be turned approx. 90° in order to align its screw hole with that of the lock wing.



Example of horizontal installation (view from rear / inside the cabinet)



Example of vertical installation (view from rear / inside the cabinet)



Roller shutter lock with double hook

Material:
Cylinder part zinc alloy
Body ABS plastic black

10

Finish	Art. No.
Nickel plated	327009



HOOK POSITION ①
automatic locking

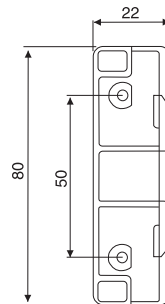
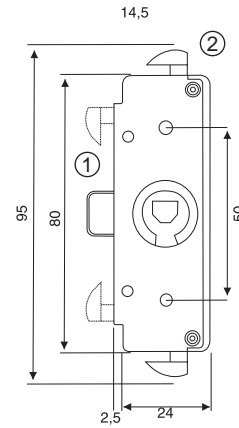
To open: turn key 90 degree
hold key and pull door to open position
release key and hooks will return to automatic locking position.

To lock: close doors to lock without using key, lock will click automatically into locking position.

HOOK POSITION ②
manual locking

To open: turn key 180 degree
hooks will stay in open position

To lock: close doors to locking position, turn key manually to lock.



Counter piece for double roller shutter

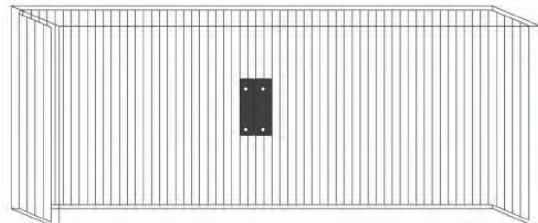
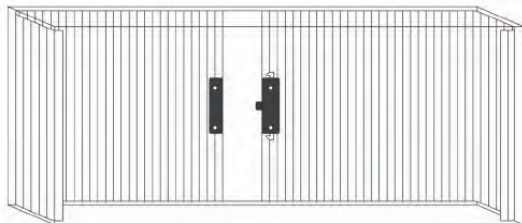
Material: Plastic

10

Finish	Art. No.
Black	327010

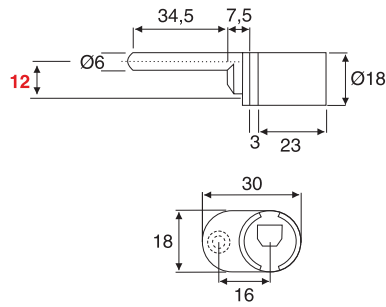
* Available as indent order with minimum order quantities and additional lead time. Please contact Artia for details

Example of vertical installation, hooks in manual locking position
(view from rear / inside the cabinet)





Ø 3,5mm



With 1 wing, travel 12mm

Locking travel: 180°

Material: Zinc alloy

Finish: Nickel plated

20

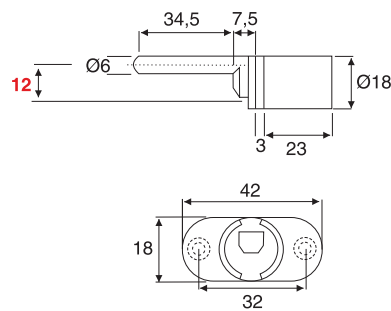
Art. No.

Lift: 12mm

326370



Ø 3,5mm



With 2 wings, travel 12mm

Locking travel: 180°

Material: Zinc alloy

Finish: Nickel plated

20

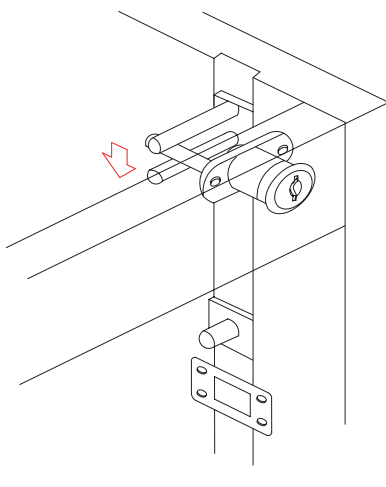
Art. No.

Lift: 12mm

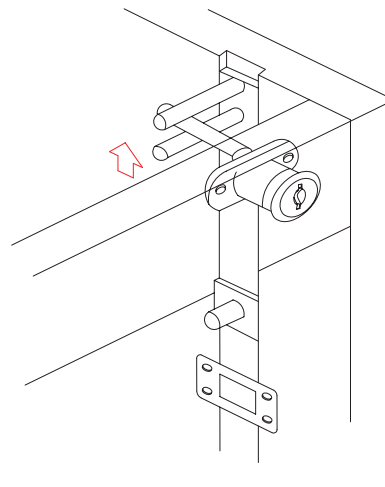
326372

Installation diagram

Unlocked



Locked



* Bars and accessories see page 26 and 27



\varnothing 3,5mm

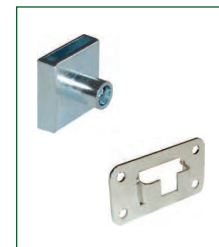
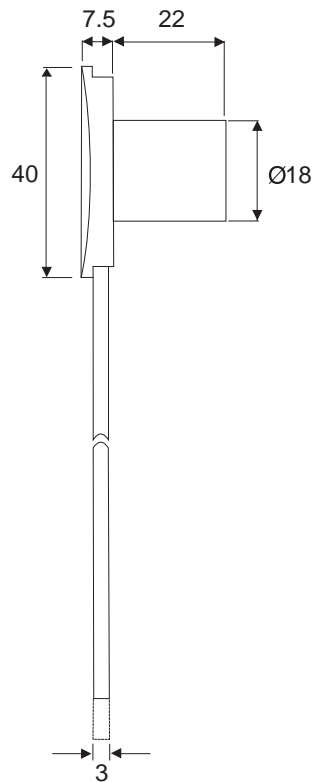
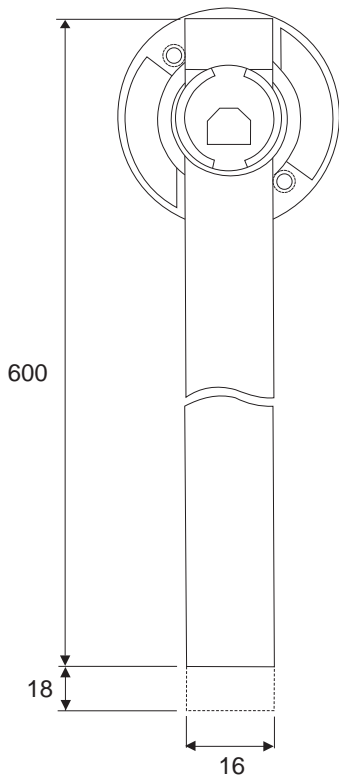
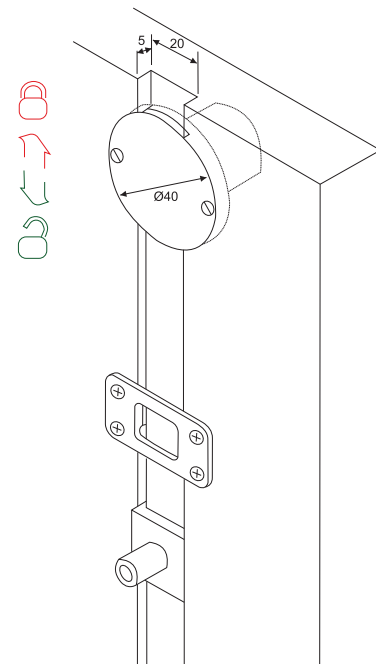
Side mounted central lock
with 600mm Aluminium bar

Material: Zinc alloy/Aluminium
Finish: Lock nickel plated
Bar Aluminium blank

20

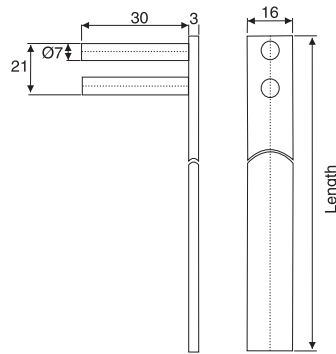
Length	Art. No.
600mm	326380

Installation diagram



* Accessories see page 27

Dimensions not binding

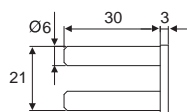


Central locking bar for Multi drawer/Front mounted locks

2 Pins, steel, zinc plated
Bar, Aluminium, blank

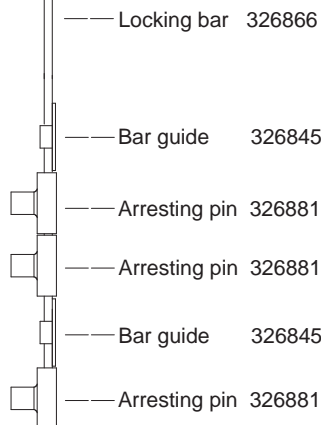
20

Length	Art. No.
600mm	326866
1250mm	326867
1500mm	326868



Complete Aluminium bar
600mm with all accessories
shown below assembled

Bar guides and arresting pins
just push into the correct
position as per drawer
arrangement



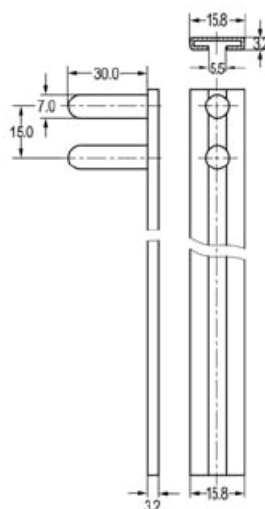
Central locking bar
pre-mounted, including
1 x locking bar 328866
3 x arresting pins 326881
2 x bar guides 326845

Material:

Locking bar, Aluminium, blank
Arresting pins, Zinc alloy, galv.
Bar guides, Steel, galvanized

20

Length	Art. No.
600mm	326870



Central locking bar C-Profile
with 2 lifting pins

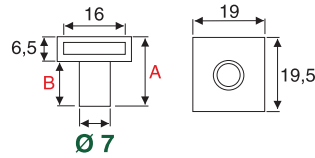
Material: Steel

Finish: Zinc plated

20

Length	Art. No.
1200mm	326907

* Length of bar can be cut down to size
on site as required



Arresting pin

Material: Zinc alloy

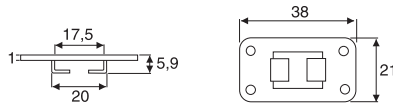
Finish: Trivalent blue zinc plated

60

A	B	Art. No.
12.5mm	6.0mm	326881
16.5mm	10.0mm	326882
19.0mm	12.5mm	326883



Ø 3,0mm



Rod guide; for groove or surface mounted locking bars

Material: Steel

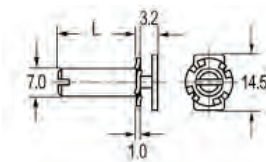
40

Finish

Art. No.

Zinc plated

326845



Arresting Pin for C-Profile bars, complete with T-screw and washer

Material: Steel Nickel plated

400

Length

Art. No.

8mm

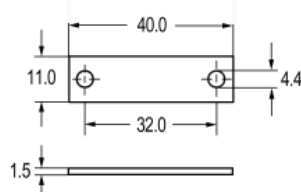
326908

13mm

326913



Ø 3,0mm



Rod guide; straight for groove mounted locking bars

Material: Steel

400

Finish

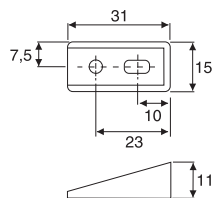
Art. No.

Zinc plated

326935



Ø 3,5mm



Drawer stopper

Material: Plastic ABS

20

Finish

Art. No.

Black

326888

Simple and easy central locking solution for the flat pack furniture industry. System can be largely pre-installed, with all arresting pins and bar guides already set up in advance as per the required drawer arrangement. Easy final assembly of the flat-pack furniture by the end user.



Central lock for installation onto the front face of the side panel

Non-removable core

200 different key changes with Master key system

Material: Zinc alloy nickel plated

20

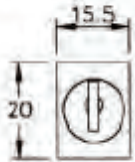
Art. No.

Key to differ 200 KC

*** 326460**

* Available as indent order with minimum order quantities and additional lead times. Please contact Artia for details.

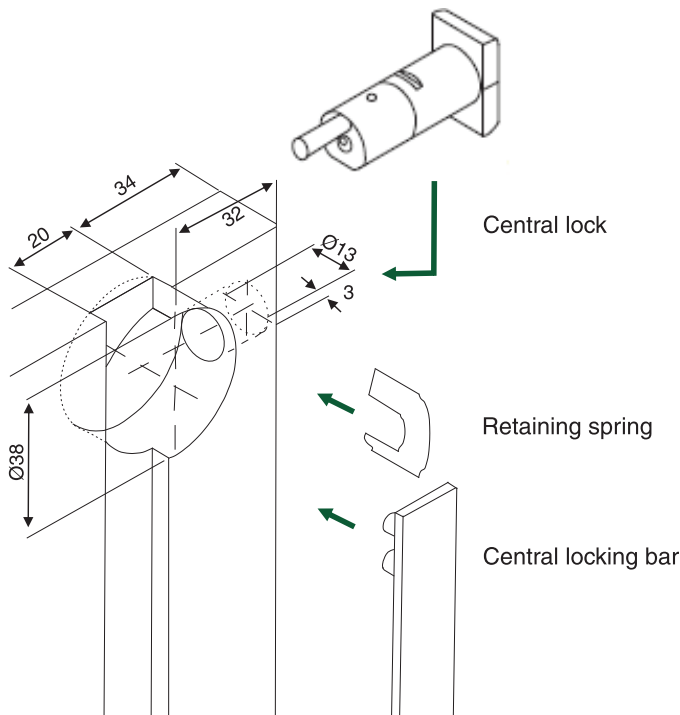
Front view



Side view



Installation diagram

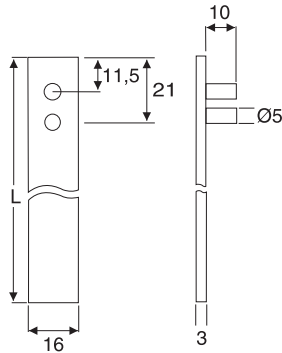




Master key

1

Colour of plastic cap	Art. No.
Grey	326885



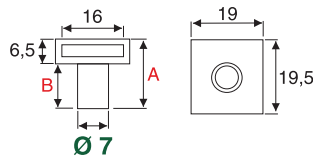
Central locking bar

Material: Aluminium

Finish: Blank

20

Length	Art. No.
600mm	326465



Arresting pin

Material: Zinc alloy

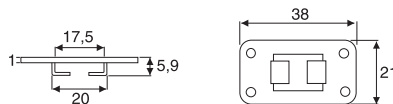
Finish: Trivalent blue zinc plated

60

A	B	Art. No.
12.5mm	6.0mm	326881
16.5mm	10.0mm	326882
19.0mm	12.5mm	326883



\varnothing 3,0mm



Rod guide, for groove or surface mounted locking bars

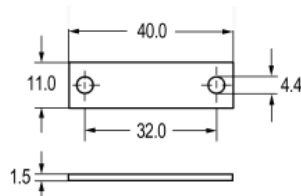
Material: Steel

40

Finish	Art. No.
Zinc plated	326845



\varnothing 3,0mm



Rod guide, straight for groove mounted locking bars

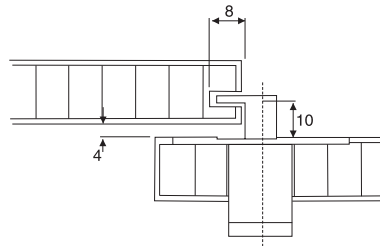
Material: Steel

400

Finish	Art. No.
Zinc plated	326935



Ø 3,5mm



Push-turn lock for sliding doors

Material: Zinc alloy nickel plated

20

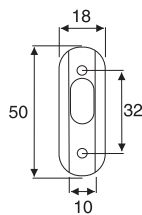
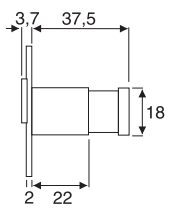
Finish

Art. No.

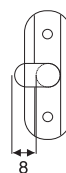
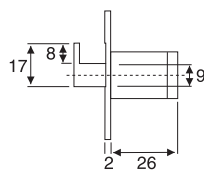
Nickel plated

327020

unlocked



locked

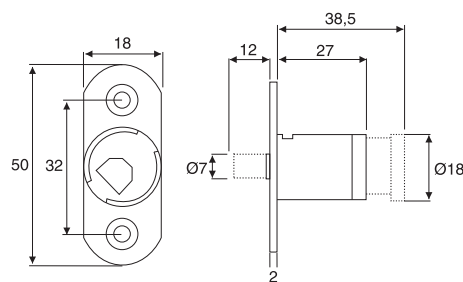


Application Push-turn lock:

The additional lever fixed to the locking pin catches the rear door. This provides additional security especially for higher sliding doors against unauthorized opening.



Ø 3,5mm



Push lock for sliding doors

Material: Zinc alloy nickel plated

20

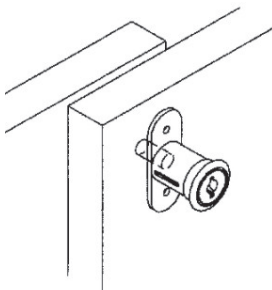
Finish

Art. No.

Nickel plated

326390

Installation details



Front view in open position

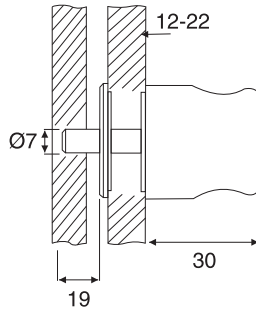


Rear view in closed position

Advice:

The key can be removed in the open position of the lock. Unintentional locking is not possible in this position. This function allows free sliding of the doors.

Extension Pin M5 usable - see page 31



Sliding door lock with handle function, locking pin with M5 thread for usage of extensions*

* For board thickness between 12 - 22mm

Material: Zinc alloy

20

Finish

Art. No.

Nickel plated polished

326435

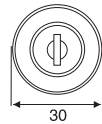
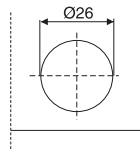


Front view in open position

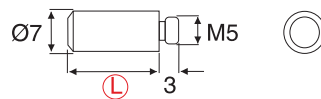
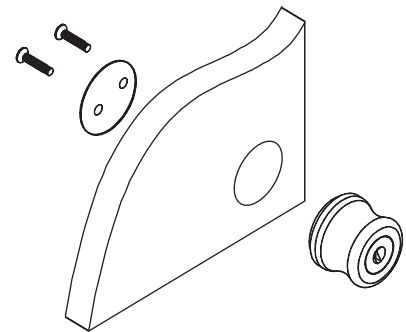


Rear view in closed position

Drilling diagram



Installation diagram



Extension pin M5 for sliding door lock

Material: Steel

Finish: Nickel plated

20

L =

Art. No.

8mm **3261502.508**

12mm **3261502.512**

18mm **3261502.518**

20mm **3261502.520**

Example:

Calculation of pin length

P = 19mm

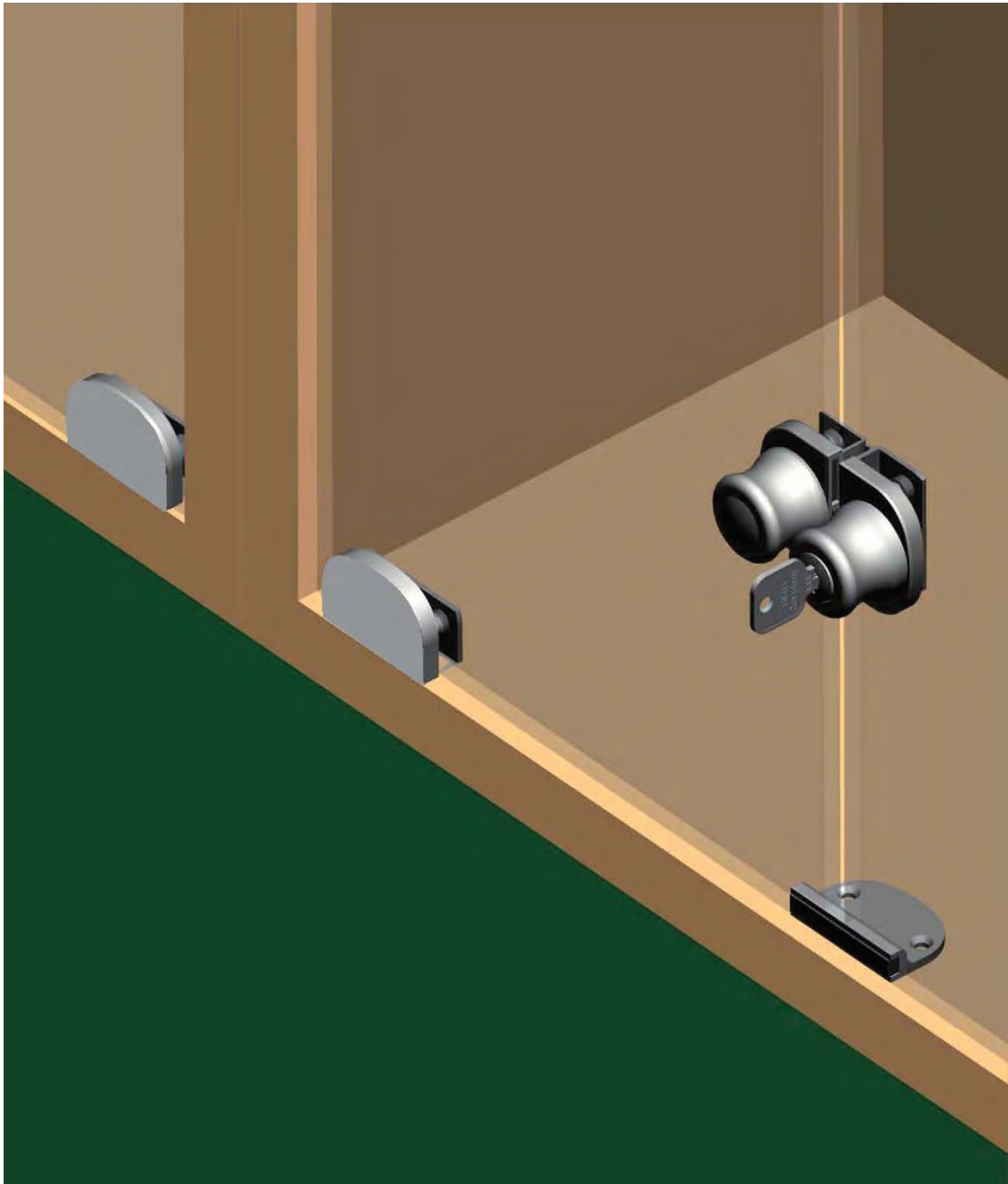
F = 9mm

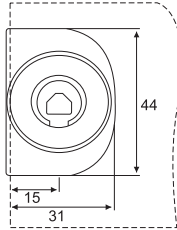
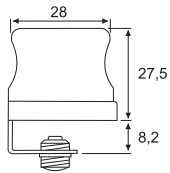
L = Board thickness (P) - 10mm + gap (F) between the sliding doors

L = 19-10+9 = 18mm

If exact length is not available, please use next shorter or longer extension pin.

Glass door locks





Slide on glass door lock for 4 - 6mm glass thickness, complete with door brackets made of hardened steel, 2 special fixing screws with nylon insert.

Material:

Lock Housing zinc alloy
Bracket hardened steel

10

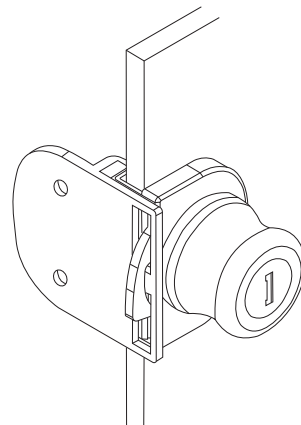
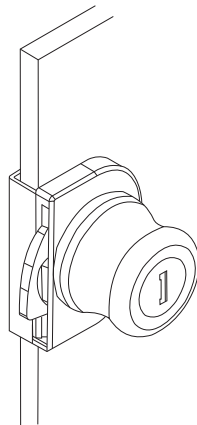
Finish

Lock Housing: nickel polished
Bracket: nickel plated

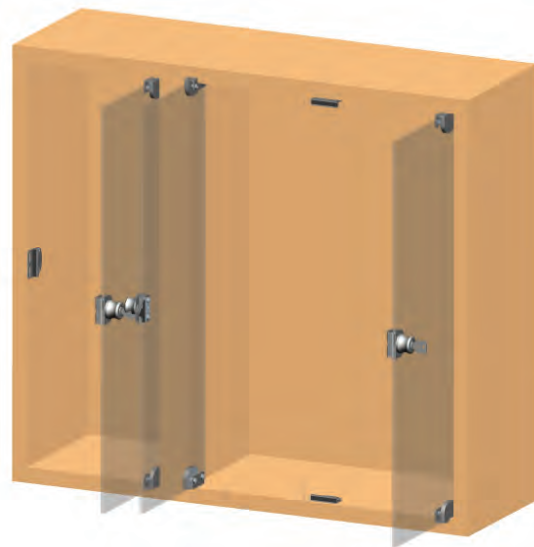
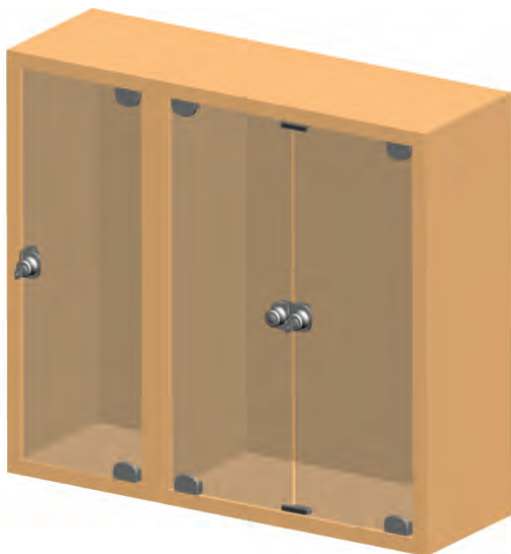
Art. No.

326437

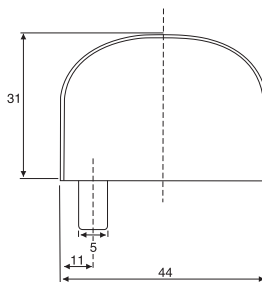
Installation diagram



**Application single and double door
(double door see Page 33)**



Dimensions not binding



Glass door hinge for inlaid doors
Glass thickness from 4 - 6mm

Opening max. 110°

Maximum door size:
Height 1000mm, width 500mm

Material: Zinc alloy

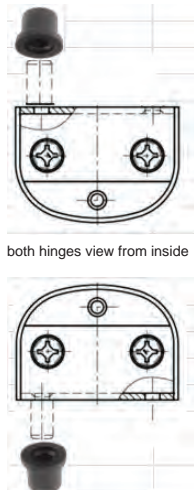
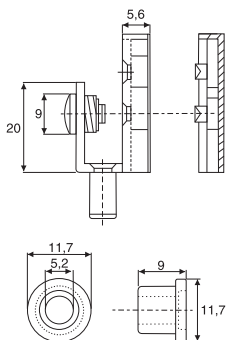
20

Installation top right or bottom left

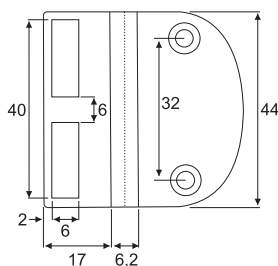
Finish	Art. No.
Nickel plated polished	327017

Installation top left or bottom right

Finish	Art. No.
Nickel plated polished	327018



both hinges view from inside



Stop plate for glass doors with integrated rubber door bumper

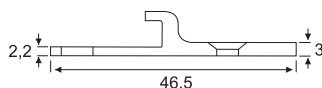
Material: Zinc alloy

20

Finish	Art. No.
Nickel plated polished	327019

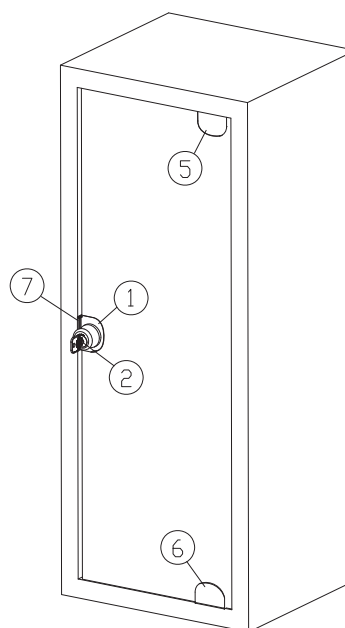


∅ 3,5mm

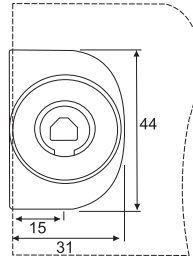
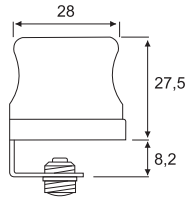


Single glass door lock set - order a complete set as follows

- | | | |
|----------------------|------|---|
| ① Lock housing | 1 pc | 326437 |
| ② Cylinder core | 1 pc | 326....
(Cores and key changes please see page 7) |
| ⑤ Hinge top right | 1 pc | 327017 |
| ⑥ Hinge bottom right | 1 pc | 327018 |
| ⑦ Stop plate | 1 pc | 327019 |



Dimensions not binding

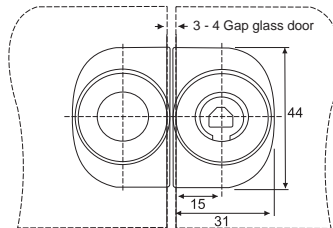
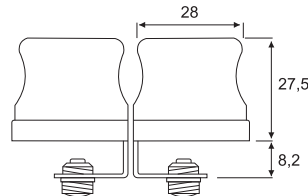


Slide on glass door lock for 4-6mm glass thickness, complete with door brackets made of hardened steel, 2 special fixing screws with nylon insert

Material: Lock housing zinc alloy
Bracket hardened steel

10

Finish	Art. No.
Lock housing nickel plated	326437
Bracket nickel plated	



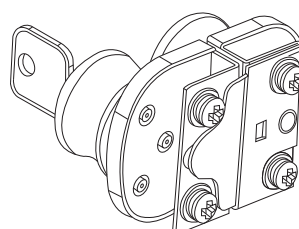
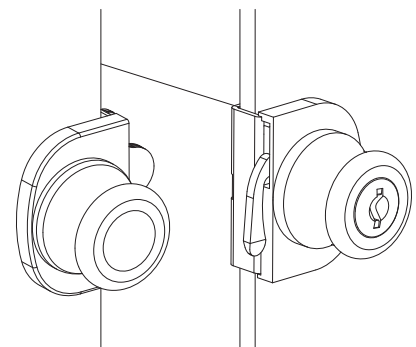
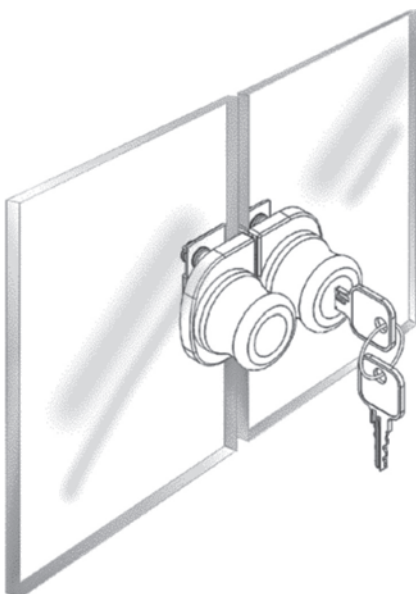
Slide on counter pieces for double door lock for 4-6mm glass thickness, complete with door brackets made of hardened steel, 2 special fixing screws with nylon insert

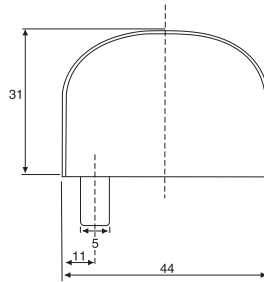
Material: Counter piece housing zinc alloy
Bracket hardened steel

10

Finish	Art. No.
Counter piece nickel plated	326438
Bracket nickel plated	

Installation diagram





Glass door hinge for inlaid doors
 Glass thickness from 4 - 6mm
 Opening max. 110°
 Maximum door size:
 Height 1000mm, width 500mm

Material: Zinc alloy

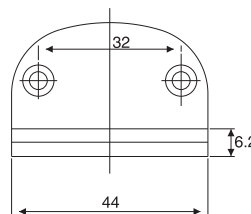
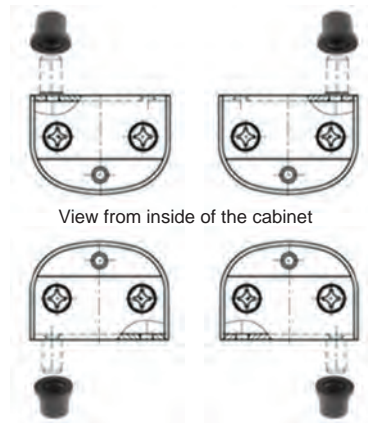
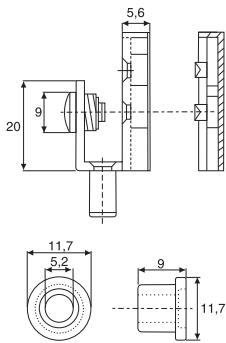
20

Installation top right or bottom left

Finish	Art. No.
Nickel plated polished	327017

Installation top left or bottom right

Finish	Art. No.
Nickel plated polished	327018



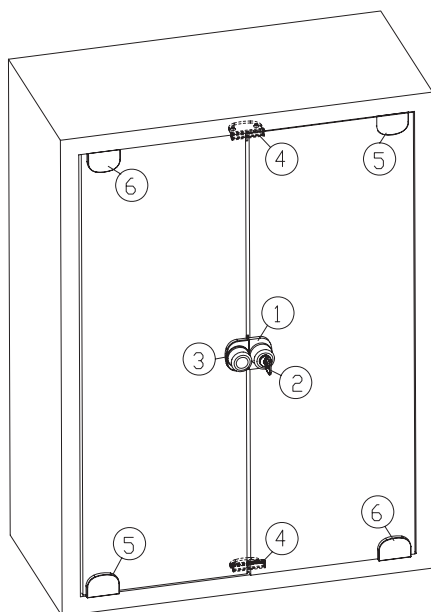
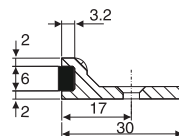
Stop plate for glass doors with rubberised door bumper

Material: Zinc alloy

20

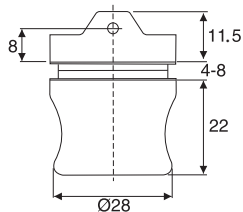
Finish	Art. No.
Nickel plated polished	327014

Ø 3,5mm



Double glass door lock set - order a complete set as follows:

- | | | |
|-----------------|-------|---|
| ① Lock housing | 1 pc | 326437 |
| ② Cylinder core | 1 pc | 326....
(Cores and key changes please see page 7) |
| ③ Counter piece | 1 pc | 326438 |
| ④ Stop plate | 2 pcs | 327014 |
| ⑤ Hinge | 2 pcs | 327017 |
| ⑥ Hinge | 2 pcs | 327018 |



Glass door pin lock
for glass thickness of 4 - 8mm
freely adjustable

Material: Zinc alloy

20

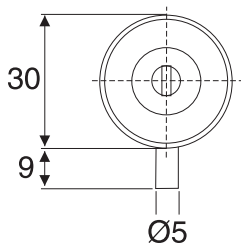
Finish

Nickel plated polished

Art. No.

326425

Open position



Closed position

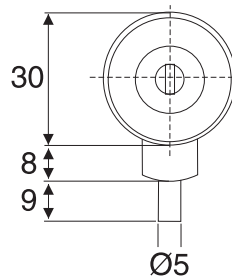
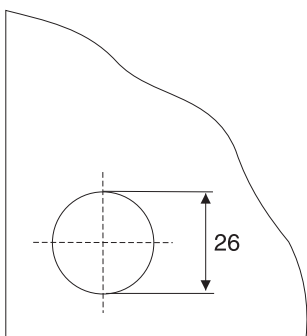
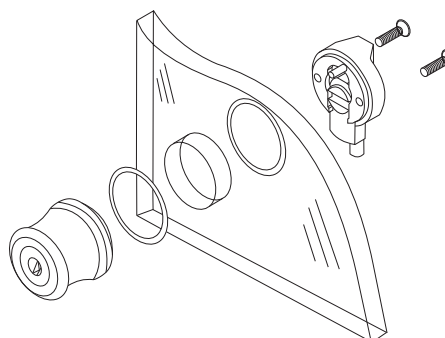


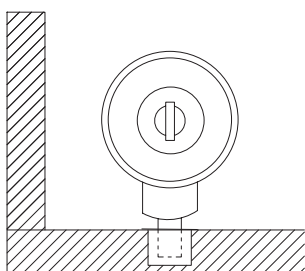
Diagram for glass drilling



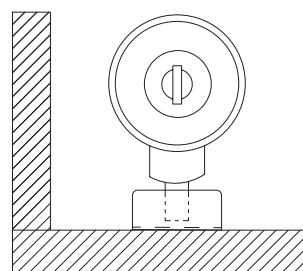
Installation diagram



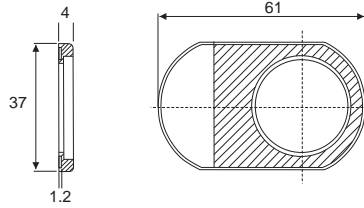
Locked with socket



Locked with striking plate



Dimensions not binding



Stop plate for glass door pin lock (page 38) for glass thickness 4 - 6mm

Material: Zinc alloy

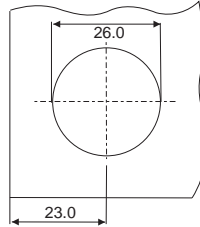
20

Finish

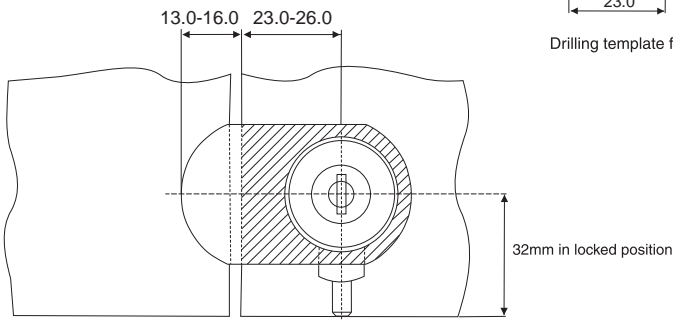
Art. No.

Nickel plated polished

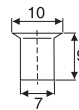
326426



Drilling template for double door application



Double door application



Socket

Material: Steel

1 / 500

Finish

Ø

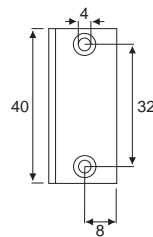
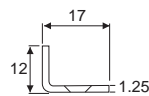
Art. No.

Nickel plated 7mm

3264303.701



\varnothing 3,0mm



Striking plate 40

Material: Steel

20 / 200

Finish

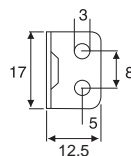
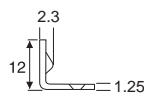
Art. No.

Nickel plated

426272



\varnothing 3,0mm



Striking plate 17

Material: Steel

20

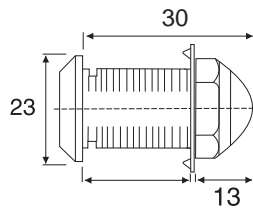
Finish

Art. No.

Nickel plated

3261501.210

Dimensions not binding



Lever Lock with nut fixture for double glass doors with stop plate **326408**

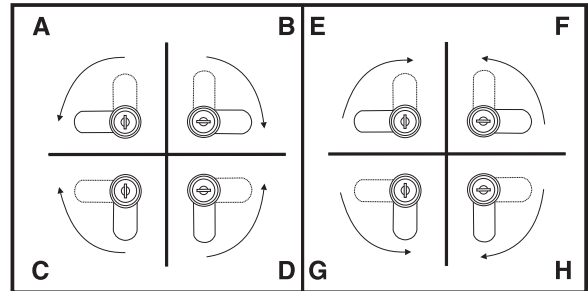
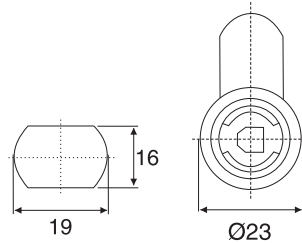
Locking travel 90 degr.

Material: Zinc alloy nickel pl.

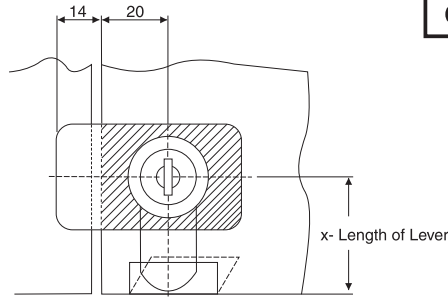
20

Lever	Art. No.
35mm	326406

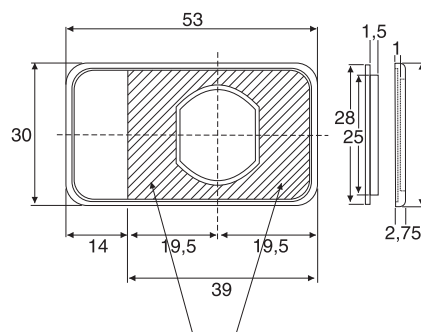
(other levers see page 15)



Adjustable for right and left turn



Double door application



Double sided adhesive

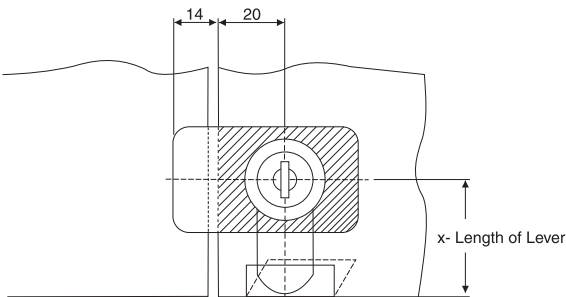
Stop plate for double glass doors
Lock in connection with
Lever Lock **326406**

Material: Zinc alloy

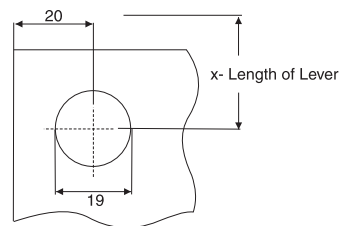
20

Finish	Art. No.
Nickel plated	*326408

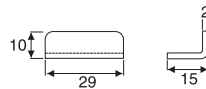
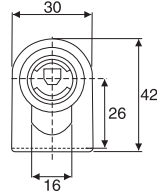
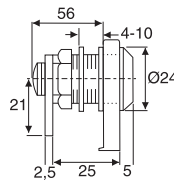
* Available as indent order with minimum order quantities and additional lead times. Please contact Artia for details.



Double door application



Drilling template for double door application



Glass door lever lock with decorative plate for glass thickness 4 - 10mm

Locking travel 90 degr.

Material: Zinc alloy

20

Art. No.

Nickel plated polished

326430

Accessories:

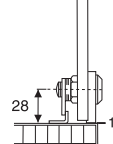
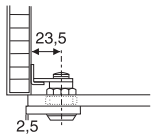
- 1 x Lever 21mm (other levers see page 15)
- 1 x Fixing screw
- 1 x Striking plate 29x10mm
- 1 x Fixing plate and rosette

Horizontal installation

Vertical installation

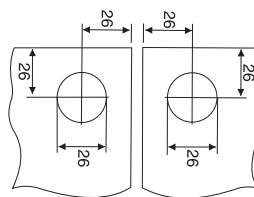
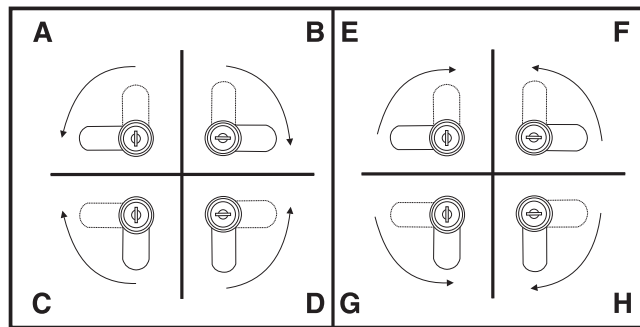
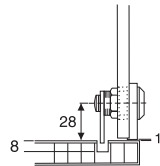
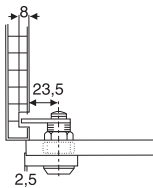
Standard lever

Standard lever



With lever 30mm

With lever 30mm



Counter piece for glass door lever lock, two parts

Material: Zinc alloy

20

Finish

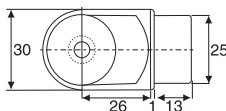
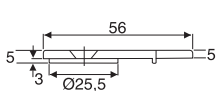
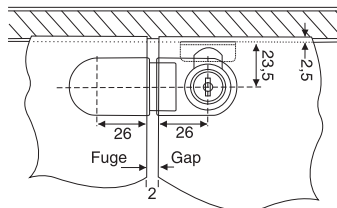
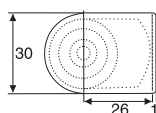
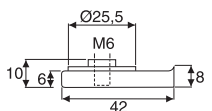
Nickel plated polished

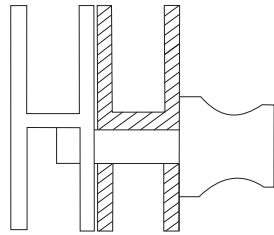
Art. No.

326433

Accessories:

- 1 x Screw M6
- 2 x Fixing plates in plastic





For aluminium framed glass sliding doors,
with screw 2 x M3 x 19mm

Material: Zinc alloy

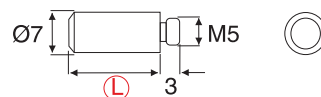
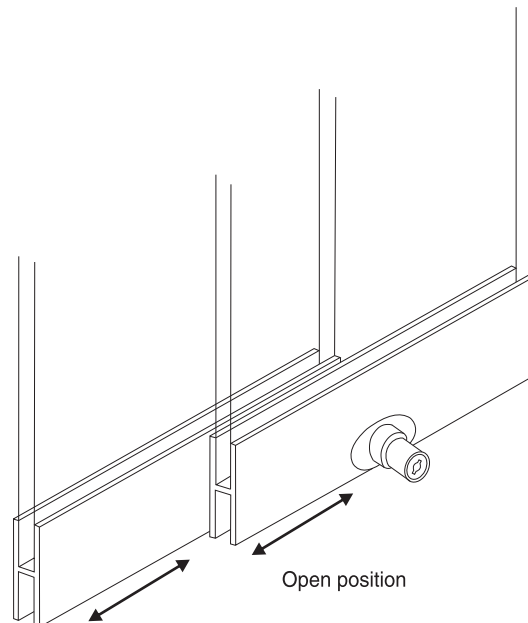
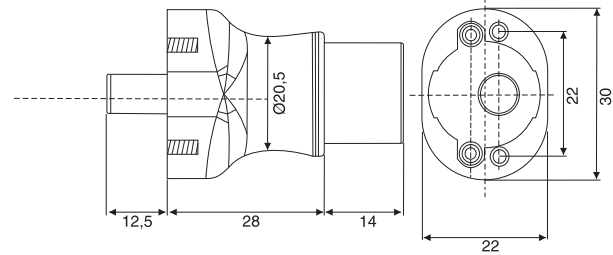
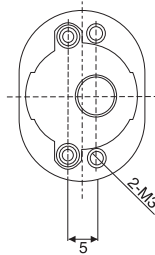
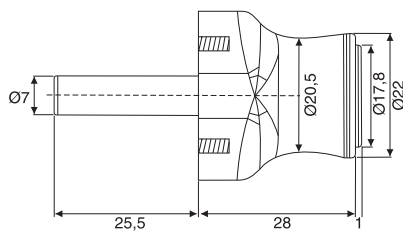
20

Finish

Chrome matt

Art. No.

327023



Extension pin M5 for sliding door lock

Material: Steel

Finish: Nickel plated

20

L =

Art. No.

8mm **3261502.508**

12mm **3261502.512**

16mm **3261502.518**

20mm **3261502.520**

Example:

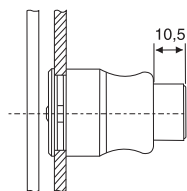
Calculation of pin length

P = 19mm
F = 9mm

L = Board thickness (P) - 10mm + gap (F) between the sliding doors

L = 19-10+9 = 18mm

If exact length is not available, please use next shorter or longer extension pin.



Glass sliding door lock for glass door thickness of 4 - 8mm, freely adjustable

Material: Zinc alloy

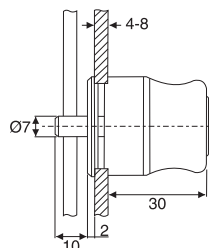
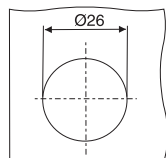
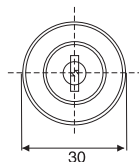
20

Finish

Art. No.

Nickel plated polished

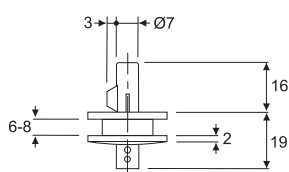
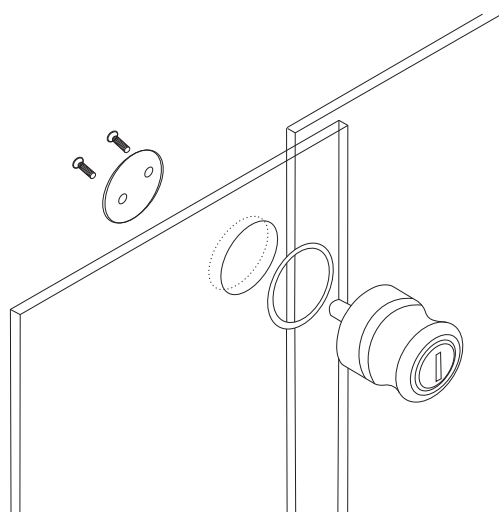
326435



Rear view in closed position



Front view in open position



Glass door pin lock for sliding glass doors of thickness 6 - 8mm, with 2 keys

75 different key changes available

Material:

Key: Steel

Lock: Brass

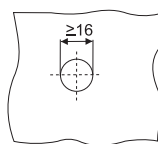
Finish: Chrome plated

20

Art. No.

Keys to differ

327026



Rosette for glass door pin lock

Material: Zinc alloy

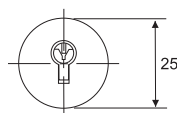
20

Finish:

Art. No.

Chrome plated

327027



Additional plastic spacer for pin lock, for glass thickness less than 6mm

Material: PVC

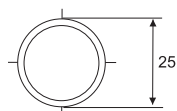
20

Thickness

Art. No.

0.5mm

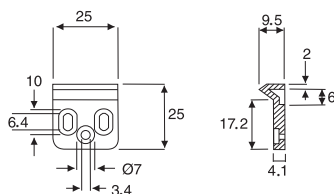
327028



Dimensions not binding

Other Locking Solutions





Push knob lock for removable cylinder core for door thickness from 13 - 35mm

Consisting of:
Push knob lock in zinc alloy
Finish: Chrome polished

Housing and striking plate in plastic, colour black

20

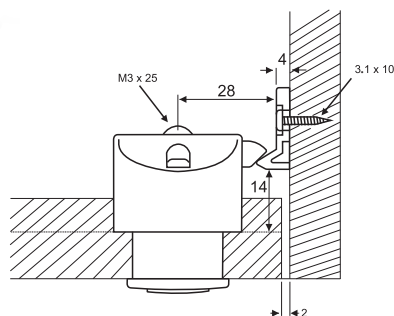
Push knob lock **Art. No.**
Chrome polished **326995**

Housing and striking plate **Art. No.**
Black **327002**

Included to fix the lock onto the housing for different door thickness



Attention: Cylinder core with 1 x flap key and 1 x standard key are not included in delivery. Please order separately (page 7).



Screw	for board thickness
M3 x 19mm	12 / 13mm
M3 x 22mm	15 / 16mm
M3 x 25mm	18 / 19mm



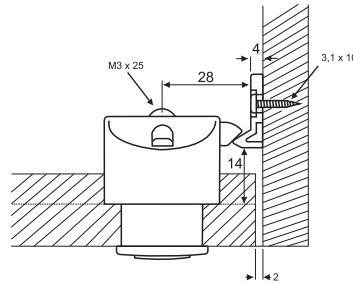
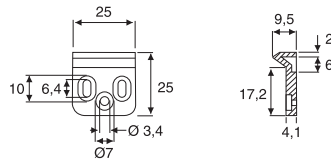
Housing and striking plate in black



Push knob lock chrome polished

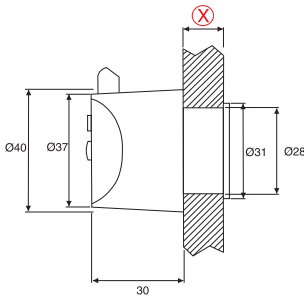


Modul removable cylinder series



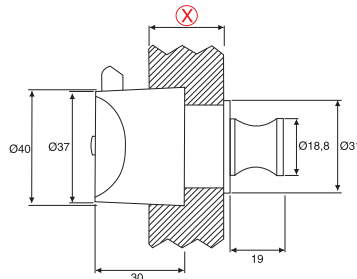
Mounting instructions: Adjusting the lock to the thickness of the door the push knob is inserted into the plastic housing and fixed from rear by screw. For door thickness of 23mm and higher a counter bore of Ø40mm is required to inlay the housing (depth of drilling = Door thickness - 22mm).

Installation for X between 13mm - 22mm



Bore hole Ø 28mm

Installation for X between 23mm - 35mm



Bore hole Ø 28mm, counter bore hole Ø 40mm

Push knob - locking for door thickness from 13 - 35mm

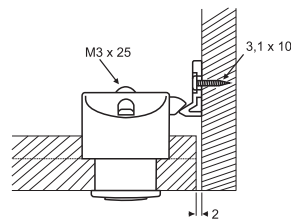
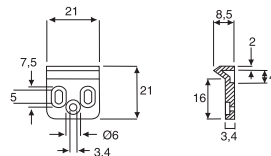
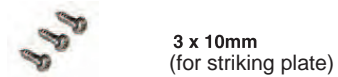
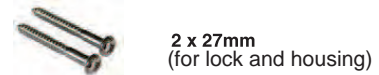
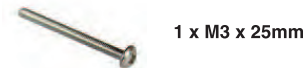
Consisting of:
Push knob lock in zinc alloy
Finish: Chrome polished
Housing and striking plate in plastic, colour black

20

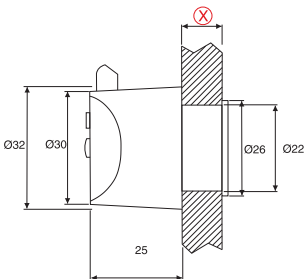
Push knob lock **Art. No. 326993**
Chrome polished

Housing and striking plate **Art. No. 327002**
Black

Screws included for different door thickness:

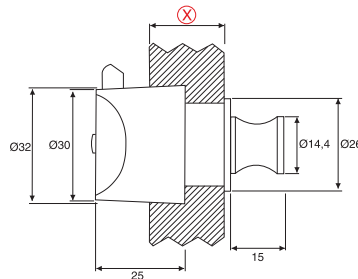


Installation for X between 10mm to 22mm



Bore hole Ø 22mm

Installation for X between 23mm to 30mm



Bore hole Ø 22mm, counter bore hole Ø 32mm

Mini Moby

Push knob - locking for door thickness from 10 - 30mm

Consisting of:
Push knob, housing and striking plate in ABS - plastic, stainless steel finish with stainless steel fixing screws

20

Push knob lock, bicolour **Art. No. 327012**
Housing stainless steel
finish - black

Mounting instructions: Adjusting the lock to the thickness of the door the push knob is inserted into the plastic housing and fixed from rear by screw. For door thickness of 23mm and higher a counter bore of Ø32mm is required to inlay the housing (depth of drilling = Door thickness - 22mm).

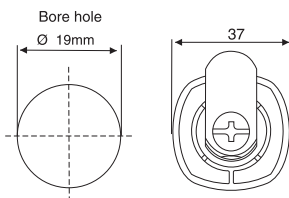
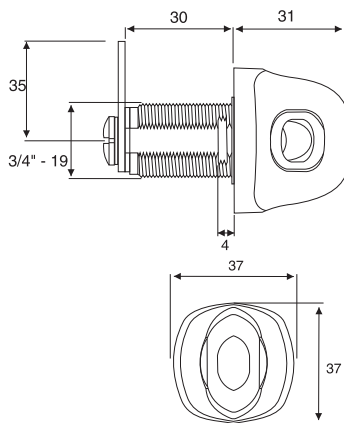
! Free-wheeling in locked position



Nickel matt



Black matt



For wooden furniture, board thickness up to 22mm, lockable with padlock
shackle diameter 4 - 8mm

Housing in Zinc alloy, turn knob in ABS plastic

10

90° - RH/LH	Art. No.
Black matt	327100
Nickel matt	327101

- Consisting of:
 1 x Rotor hasp lock
 1 x Stopper 90° RH/LH
 1 x Lever, straight, 35mm, steel zinc plated *
 1 x Fixing screw with washer for lever
 1 x Hexagon nut
 1 x Anti-twist washer

* Other levers please order separately (see page 15)

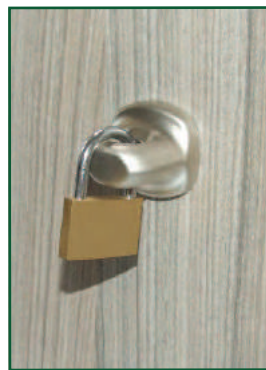


* Padlock not included

Unlocked



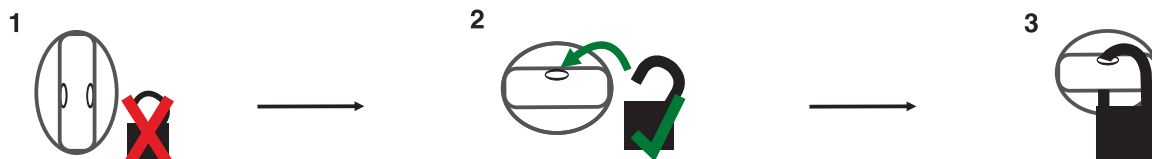
Locked



User instruction:

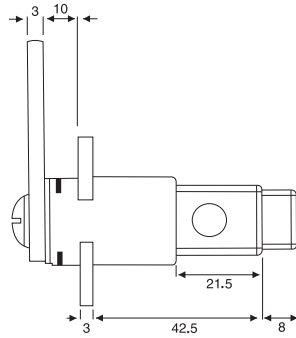
In the open position of the rotor hasp lock, it is not possible to insert the padlock. First, turn the knob handle 90° to the closed position. Insert the padlock in the knob handle to activate free wheeling. When the padlock is removed, free wheeling is stopped and the lock can be turned to open.

Drawing





! Free-wheeling in locked position



Rotor RPL with rosette

For wooden doors with board thickness up to 22mm, lockable with padlock
shackle diameter 4.8 - 8.0mm (3/16" - 5/16")

Right/Left adjustable
Delivery status: Right

Material: Zinc alloy

10

Art. No.

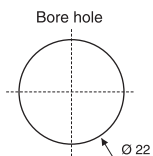
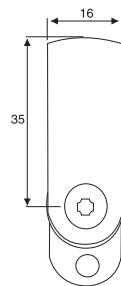
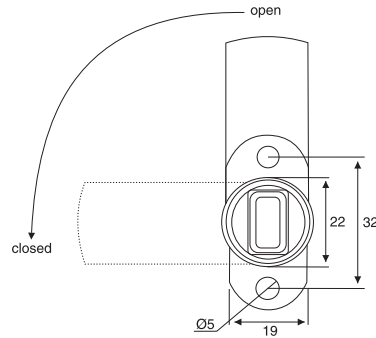
Nickel polished **1981.022.033.1**

Nickel matt *** 1980.022.033.1**

Consisting of:

- 1 x Rotor RPL Push lock
- 1 x Stopper 90° RH/LH
- 1 x Lever, straight, 35mm, steel zinc plated *
- 1 x Fixing screw with washer for lever

*Other levers please order separately (see page 15)



* Available as indent order with minimum order quantities and additional lead times. Please contact Artia for details.

Code	Page
1980.022.033.1	47
1981.022.033.1	47
326001	7
326002	7
326003	7
326004	7
326005	7
326006	7
326007	7
326008	7
326009	7
326010	7
326011	7
326012	7
326013	7
326014	7
326015	7
326016	7
326017	7
326018	7
326019	7
326020	7
326021	7
326022	7
326023	7
326024	7
326025	7
326026	7
326027	7
326028	7
326029	7
326030	7
3261049.121	9
3261212.300	20
3261212.415	20
3261410	8, 19
3261420	8
3261431.100	20
3261451	18, 19
3261451.520	20
3261501.210	20, 38
3261502.102	9
3261502.121	9
3261502.508	31, 41
3261502.512	31, 41
3261502.518	31, 41

Code	Page
3261502.520	31, 41
3261506.024	15
3261506.030	15
3261506.033	15
326200	7
326204	7
326206	7
326300	10
326305	10
326306	11
326308	10
326310	11
326329	18
326350	13
326351	13
326370	24
326372	24
326380	25
326390	30
326400	14
326402	14
326406	14, 39
326408	39
326409	14
326410	15
326416	12
326420	21
326425	37
326426	38
326430	40
3264303.701	38
326433	40
326435	31, 42
326437	33, 35
326438	35
326460	28
326465	29
326800	5
326801	5
326802	5
326803	5
326804	5
326806	5
326807	5
326808	5
326810	9

Code	Page
326815	11
326826	18, 19
326837	18, 19
326845	27, 29
326847	20, 21
326856	8, 18, 19
326865	8
326866	26
326867	26
326868	26
326870	26
326874	16
326881	27, 29
326882	27, 29
326883	27, 29
326885	29
326888	27
326891	15
326896	15
326897	15
326899	15
326907	26
326908	27
326913	27
326935	27, 29
326993	45
326995	44
326996	22
327002	44, 45
327009	23
327010	23
327012	45
327014	36
327017	34, 36
327018	34, 36
327019	34
327020	30
327023	41
327026	42
327027	42
327028	42
327031	16
327100	46
327101	46
426272	12, 13, 38



CABINET HARDWARE SYSTEMS

BMB LOCKS

Version 1.2

Australia

1800 008 591 ■ www.artia.com.au

VICTORIA:

235 Settlement Road,
Thomastown VIC 3074

NEW SOUTH WALES:

Unit 1/429 Victoria Street,
Wetherill Park NSW 2164

QUEENSLAND:

Building 2/660 MacArthur
Avenue, Pinkenba QLD 4008

SOUTH AUSTRALIA:

13 Rosberg Road,
Wingfield SA 5013

WESTERN AUSTRALIA:

Unit 1B/15 Hector Street,
Osborne Park WA 6017

New Zealand

0800 267 625 ■ www.artia.co.nz

AUCKLAND:

11 Bruce Roderick Drive,
East Tamaki, Auckland 2013

CHRISTCHURCH:

117 Wrights Road,
Addington, Christchurch 8024