



# CABINET HARDWARE SYSTEMS

CONCEALED HINGE SYSTEMS

# #CHS

## Australia

1800 008 591 ■ [www.artia.com.au](http://www.artia.com.au)

### VICTORIA:

235 Settlement Road,  
Thomastown VIC 3074

### NEW SOUTH WALES:

6 Nello Place  
Wetherill Park NSW 2164

### QUEENSLAND:

Building 2/660 MacArthur  
Avenue, Pinkenba QLD 4008

### SOUTH AUSTRALIA:

13 Rosberg Road,  
Wingfield SA 5013

### WESTERN AUSTRALIA:

Unit 5/1 Dellamarta Road,  
Wangara WA 6065

## New Zealand

0800 267 625 ■ [www.artia.co.nz](http://www.artia.co.nz)

### AUCKLAND:

11 Bruce Roderick Drive,  
East Tamaki, Auckland 2013

### CHRISTCHURCH:

117 Wrights Road,  
Addington, Christchurch 8024

# CONCEALED HINGE SYSTEMS

## CONTENTS

▪ Omnia Hinge System .....	04
▪ All the best.....	05
▪ Modern design.....	05
▪ OMNIA Rotational SlowMotion.....	06
▪ Easy to install.....	06
▪ OMNIA AnyClick System.....	07
▪ OMNIA 3D adjustment .....	07
▪ OMNIA 110° .....	08
▪ OMNIA special application hinges.....	10
▪ OMNIA mounting plates for 110° , 45° and blind corner hinges .....	12
▪ OMNIA hinge cup cover cap.....	12
▪ FGV OneTouch push-to-open device.....	13
▪ OPTIMA - The perfect complement.....	14
▪ OPTIMA easy installation .....	15
▪ OPTIMA 3D adjustment .....	15
▪ OPTIMA 175° .....	16
▪ OPTIMA 175° hinge soft-close damper .....	18
▪ OPTIMA pie-cut corner hinge (bifold).....	20
▪ OPTIMA mounting plates for 175° and pie-cut corner / bifold hinges.....	22
▪ FGV Limited Lifetime Warranty .....	23
▪ HELIOS 105° HINGE.....	25
▪ HELIOS 165° CORNER HINGE .....	26
▪ HELIOS MOUNTING PLATES.....	27
▪ HELIOS ASSEMBLY.....	28

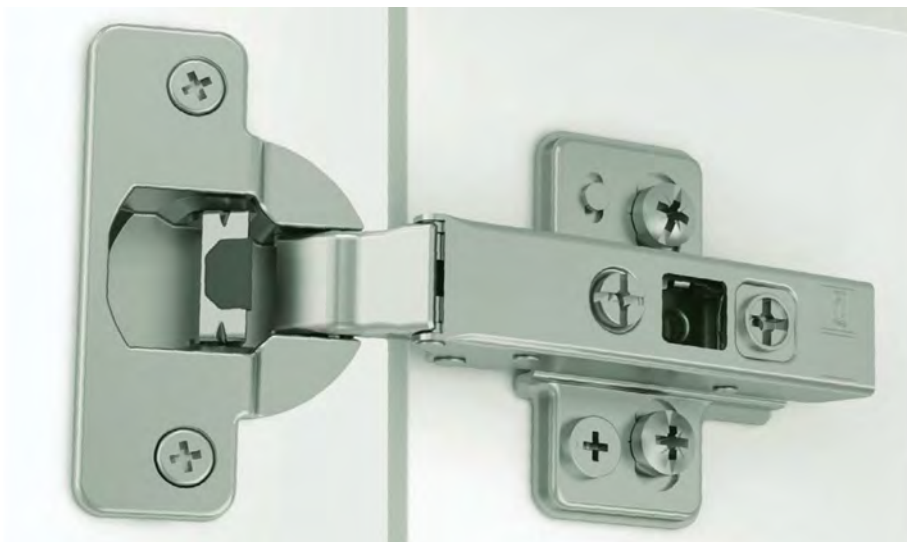
# CONCEALED HINGE SYSTEMS



FGV - Formenti & Giovenzana is proudly Italian and specialises in functional solutions for cabinets and furniture to meet the needs of customers in Europe and across the globe. With more than 280 million hinges manufactured, FGV is one of the leading hinge manufacturers in the world.

Their goal is to “to ensure that the use of furniture is intuitive, practical and overall pleasant” and with that demonstrate “that good furniture can contribute to improve end consumers’ quality of life”.

The new OMNIA SlowMotion range is the culmination of FGV’s engineering expertise and does exactly that by improving on many of the perceived shortcomings of hinge systems available today.



# CONCEALED HINGE SYSTEMS

## OMNIA HINGE SYSTEM



### ► Omnia Hinge System

OMNIA; from the Latin language: omnia, omnium, meaning all, representing the perfect synthesis of **All** the best features.

**All** the latest technical know-how.

**All** the must-have features for a great hinge.

**All** the FGV experience developed over 70 years.

**All** that a customer can expect from a hinge.

With Rotational SlowMotion technology, modern design, strength and performance, the AnyClick fixing system, OMNIA truly is all the best!



ROTATIONAL  
SLOWMOTION



NO REBOUND



ANYCLICK  
SYSTEM

# CONCEALED HINGE SYSTEMS

OMNIA HINGE SYSTEM



## ► All the best

The OMNIA hinge system is FGV's top of the range product and its best ever.

Offering a host of unique features and benefits, the OMNIA hinge system is ideally suited for a wide range of applications.

Made in Italy, the OMNIA hinge systems proves that it truly is 'All the Best'.



## ► Modern design

With straight lines, right angles and minimal bulk, the OMNIA hinge elegantly integrates into first class cabinetry without contradicting modern design lines.

With the soft-close mechanism integrated into the hinge cup, the hinge arm doesn't protrude into the cabinet space any more than necessary.

# CONCEALED HINGE SYSTEMS

## OMNIA HINGE SYSTEM

### ► OMNIA Rotational SlowMotion

OMNIA's Rotational SlowMotion technology is integrated unobtrusively into the hinge cup and creates a perfectly damped door closure without rebound.

Regardless of door closing speeds, cabinet doors fitted with OMNIA soft-close hinges close in one smooth and elegant motion, without buffering or rebound.

A state of the art solution developed through seventy years of experience.



### ► Easy to install

The OMNIA range is offered as 110° and blind corner hinge across all major drilling patterns, in the most relevant cranks.

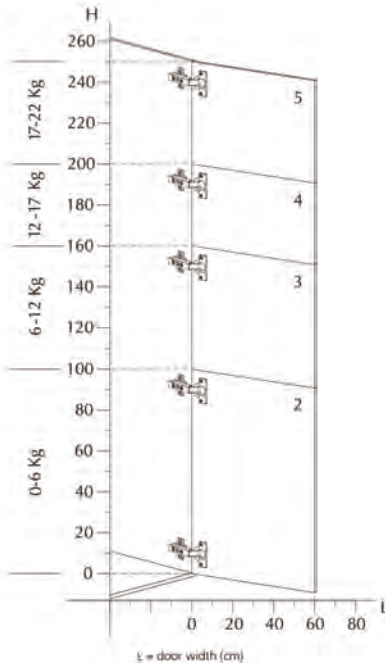
In addition to a screw-fix and the default installation option of a knock-in dowel, select OMNIA hinges are available with FGV's quarter-turn Velofix dowel that enables locking the hinge into position effortlessly with a simple flick of the wrist.

Mounting plates are exclusively offered as CAM adjustable (screw-fix or with pre-mounted Euro screw) to enable independent 3D alignment. The reversible design of the mounting plate makes installation fast, simple, precise, and intuitive.



# CONCEALED HINGE SYSTEMS

OMNIA HINGE SYSTEM



## ▶ OMNIA AnyClick System



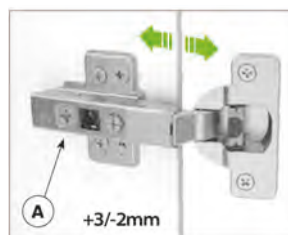
For a quick & easy fitting of the hinge onto the plate, and due to the reversible design of the plate, the OMNIA hinge clicks on in any position - front, top or back. Regardless of what they are used to, installers won't have to think, let alone change how they hang cabinet doors.

This benefit is further amplified when hanging particularly large doors with a multitude of hinges. With the OMNIA hinge, it's never been easier to hang a door.

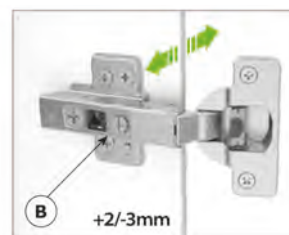


## ▶ OMNIA 3D adjustment

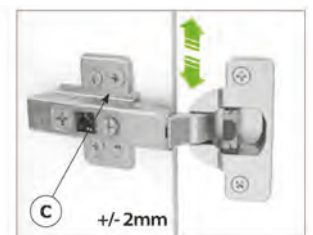
Be it horizontal or vertical adjustment of doors, or ensuring that a door is perfectly flush with the carcass or on the same plane as the adjacent door, OMNIA hinges offer ample adjustment range to ensure a perfect alignment of cabinet doors.



**Depth adjustment**  
Screw "A" for a 5mm adjustment range in the distance between the front edge of the carcass and the door.



**Horizontal**  
Screw "B" for a 5mm adjustment range in the door overlay.



**Vertical adjustment**  
Screw "C" on the CAM adjustable mounting plate for a 4mm up & down adjustment range.

# CONCEALED HINGE SYSTEMS

## OMNIA HINGE SYSTEM



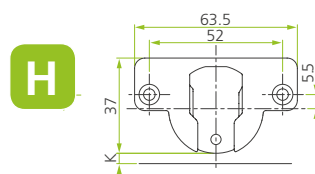
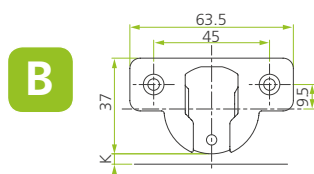
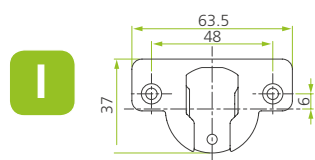
### ► OMNIA 110°

Available as soft-close with Rotational SlowMotion or standard close sprung hinge.

- Depth of the metal cup 12.4mm
- Cup diameter 35mm
- Opening 110° with (K) max 5mm and (T) max 23mm
- Possibility of door drilling (K) from 3 to 7 mm
- Thickness of the door (T) from 16 to 26 mm
- Available with quarter-turn VELO-FIX fixing for fast and secure installation
- Require OMNIA mounting plates with ANYCLICK SYSTEM



		CLOSING TYPE	FIXING TYPE		
			SCREW-FIX	KNOCK-IN	VELO-FIX
<b>I-PATTERN</b> 48/6MM	<b>Crank 0</b> Full overlay	STANDARD	<b>OMN.48.110.STD.0.SF</b>	<b>OMN.48.110.STD.0.KI</b>	<b>OMN.48.110.STD.0.VF</b>
		SOFT-CLOSE	<b>OMN.48.110.SCL.0.SF</b>	<b>OMN.48.110.SCL.0.KI</b>	<b>OMN.48.110.SCL.0.VF</b>
	<b>Crank 8</b> Half overlay	STANDARD		<b>OMN.48.110.STD.8.KI</b>	
		SOFT-CLOSE		<b>OMN.48.110.SCL.8.KI</b>	
	<b>Crank 15</b> Inset	STANDARD		<b>OMN.48.110.STD.15.KI</b>	
		SOFT-CLOSE	<b>OMN.48.110.SCL.15.SF</b>		<b>OMN.48.110.SCL.15.VF</b>
<b>B-PATTERN</b> 45/9.5MM	<b>Crank 0</b> Full overlay	STANDARD		<b>OMN.45.110.STD.0.KI</b>	<b>OMN.45.110.STD.0.VF</b>
		SOFT-CLOSE		<b>OMN.45.110.SCL.0.KI</b>	<b>OMN.45.110.SCL.0.VF</b>
<b>H-PATTERN</b> 52/5.5MM	<b>Crank 0</b> Full overlay	STANDARD			<b>OMN.52.110.STD.0.VF</b>
		SOFT-CLOSE			<b>OMN.52.110.SCL.0.VF</b>



STD = STANDARD  
SCL = SOFT CLOSE

SF = SCREW-FIX  
KI = KNOCK-IN  
VF = VELO-FIX

I, H = DOWELS 10MM  
B = DOWELS 8MM





# CONCEALED HINGE SYSTEMS

## OMNIA HINGE SYSTEM






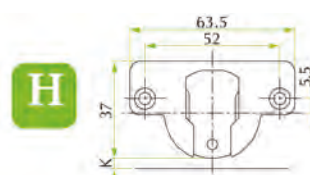
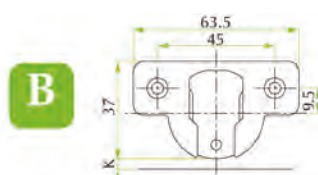
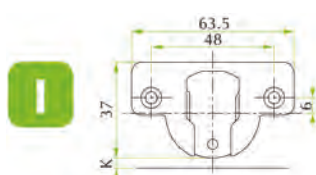
### ► OMNIA special application hinges

Solutions for blind corners or 45° corners.

- Depth of the metal cup 12.4mm
- Cup diameter 35mm
- Opening 110°
- Possibility of door drilling (K) from 3 to 7mm
- Thickness of the door (T) from 16 to 26mm
- Require OMNIA mounting plates with ANYCLICK SYSTEM



			CLOSING TYPE	FIXING TYPE		
				SCREW-FIX	KNOCK-IN	VELO-FIX
<b>I-PATTERN</b> 48/6MM	<b>110° / 90°</b> Blind Corner		STANDARD	<b>OMN.48.BC.STD.SF</b>		<b>OMN.48.BC.STD.VF</b>
			SOFT-CLOSE	<b>OMN.48.BC.SCL.SF</b>		<b>OMN.48.BC.SCL.VF</b>
	<b>45° Angled</b> Corner		STANDARD			
			SOFT-CLOSE	<b>OMN.48.45.SCL.SF</b>		
<b>B-PATTERN</b> 45/9.5MM	<b>110° / 90°</b> Blind Corner		STANDARD			<b>OMN.45.BC.STD.VF</b>
			SOFT-CLOSE			<b>OMN.45.BC.SCL.VF</b>



STD = STANDARD  
 SCL = SOFT CLOSE  
 SF = SCREW-FIX  
 KL = KNOCK-IN  
 VF = VELO-FIX  
 I, H = DOWELS 10MM  
 B = DOWELS 8MM

# CONCEALED HINGE SYSTEMS

OMNIA HINGE SYSTEM



Blind corner hinge

45° angle

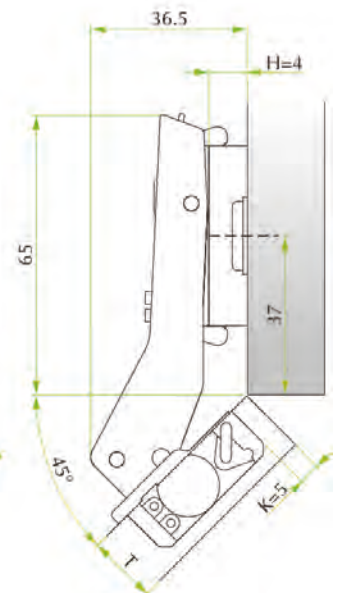
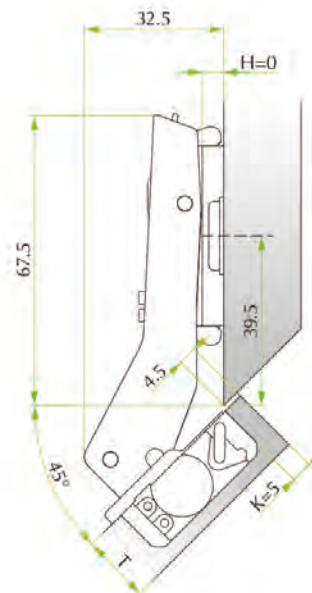
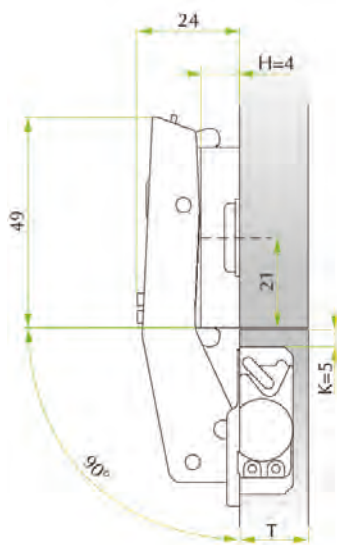


Table to determinate the minimum distance **A** so that a door with **T** thickness can open without protrusion from the cabinet and without interfering with adjacent doors.

	<b>T=</b>	<b>16</b>	<b>17</b>	<b>18</b>	<b>19</b>	<b>20</b>	<b>21</b>	<b>22</b>	<b>23</b>	<b>24</b>	<b>25</b>	<b>26</b>
K=3	<b>A=</b>	0.5	0.7	0.8	1.1	1.3	1.6	1.9	2.4	3.0	3.8	4.7
K=4	<b>A=</b>	0.5	0.7	0.8	1.1	1.3	1.5	1.8	2.2	2.6	3.4	4.2
K=5	<b>A=</b>	0.5	0.7	0.8	1.1	1.2	1.5	1.8	2.2	2.5	3.1	3.8
K=6	<b>A=</b>	0.5	0.7	0.8	1.0	1.2	1.4	1.7	2.1	2.4	2.9	3.5
K=7	<b>A=</b>	0.5	0.7	0.8	1.0	1.2	1.4	1.7	2.0	2.3	2.7	3.2

Values given in mm

# CONCEALED HINGE SYSTEMS

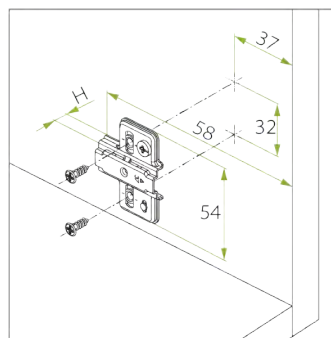
## OMNIA HINGE SYSTEM

### ► OMNIA mounting plates for 110° , 45° and blind corner hinges

Metal cruciform mounting plate for screw fixing. Independent vertical adjustment with Cam.



SCREW-FIX

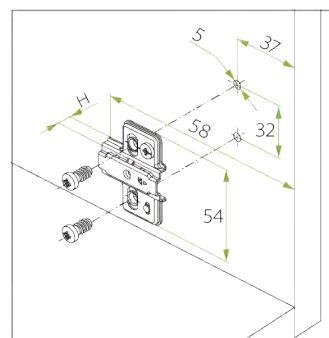


Height	Code
H=0	<b>OMN.PLT.SCW.CAM.H0</b>
H=2	<b>OMN.PLT.SCW.CAM.H2</b>
H=4	<b>OMN.PLT.SCW.CAM.H4</b>

Metal cruciform mounting plate. Euro screws premounted. Independent vertical adjustment with Cam.



PRE-MOUNTED EURO SCREWS



Height	Code
H=0	<b>OMN.PLT.PME.CAM.H0</b>
H=2	<b>OMN.PLT.PME.CAM.H2</b>
H=4	<b>OMN.PLT.PME.CAM.H4</b>

### ► OMNIA hinge cup cover cap

Cover cap for OMNIA hinges (any drilling pattern or fixing type)



Code	Description
<b>OMN.HGE.CCC</b>	Omnia hinge cup cover cap, each

# CONCEALED HINGE SYSTEMS

PUSH-TO-OPEN



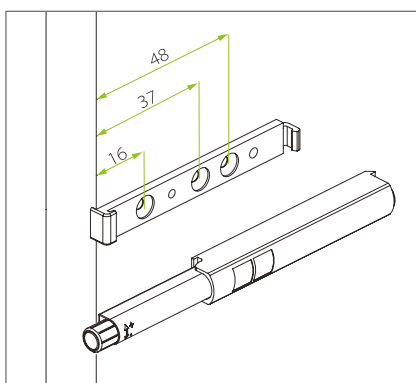
## ► FGV OneTouch push-to-open device

- A touch of elegance for handleless doors
- Long version for application with standard hinges
- Linear mounting plate
- Activation push of 40mm
- +4mm adjustment
- Without magnet, plate not required

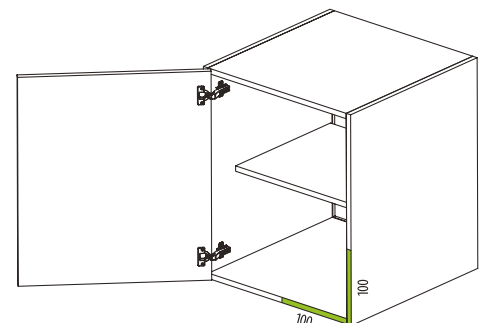
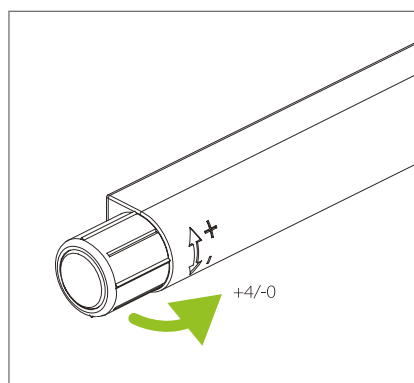


Code	Description
FGV.PTO.40.LMP	Set of OneTouch device 40mm, linear mounting plate included

## Installation Dimensions



## Adjustment



## Installation instructions:

The OneTouch device for handleless doors is best mounted in the corresponding area of the handle i.e. inside 100mm of the bottom corner opposite of the hinges.

# CONCEALED HINGE SYSTEMS

## OPTIMA HINGE SYSTEM



### ► OPTIMA - The perfect complement

#### Designed to last

The OPTIMA hinge system is FGV's tried and tested premium hinge offering to perfectly complement the OMNIA hinge.

MADE IN ITALY, with elegant & timeless design and unique features, the OPTIMA is an aesthetic and functionally convincing hinge, with a straight and modern look.

With the same 3D adjustment system, the OPTIMA hinge can be aligned perfectly, just as its OMNIA counterpart.

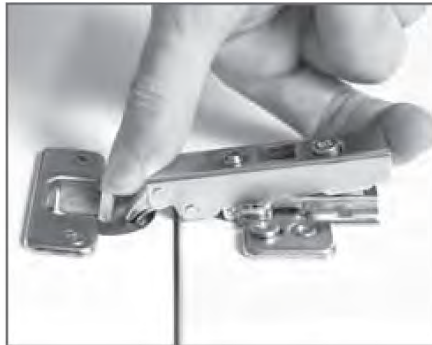
# CONCEALED HINGE SYSTEMS

OPTIMA HINGE SYSTEM

## ▶ OPTIMA easy installation



**1**  
Place the front part of the hinge on the front side of the mounting plate.

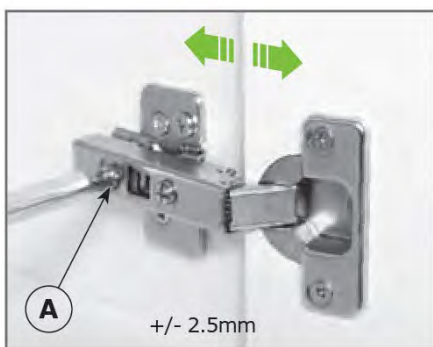


**2**  
Rotate the arm of the hinge.

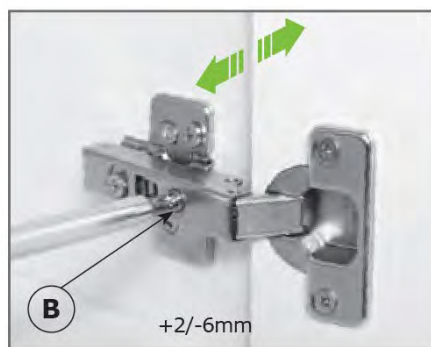


**3**  
Press down the rear part of the hinge to Click on.

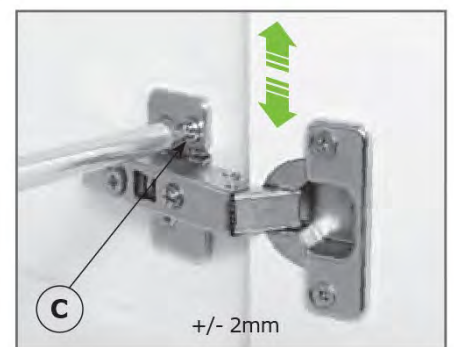
## ▶ OPTIMA 3D adjustment



**Depth adjustment**  
Screw "A" for a 5mm adjustment range in the distance between the side of the cabinet and the door.



**Horizontal adjustment**  
Screw "B" for a 5mm adjustment range in the door overlay.



**Vertical adjustment**  
Screw "C" on the CAM adjustable mounting plate for a 4mm up & down adjustment range.

# CONCEALED HINGE SYSTEMS



## OPTIMA HINGE SYSTEM

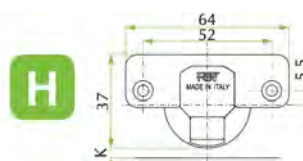
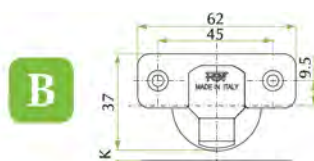
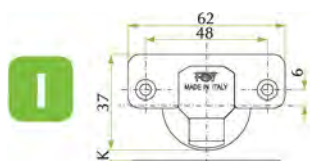


### ► OPTIMA 175°

Perfect as wide angle or corner door hinge

- Depth of the metal cup 11.3mm
- Cup diameter 35mm
- Opening 175°
- Possibility of door drilling (K) from 3 to 7mm
- Thickness of the door (T) from 16 to 26mm
- Optional soft-close clip-on damper OPT.SCL.175.COD
- Require OPTIMA mounting plates

			CLOSING TYPE	FIXING TYPE	
				SCREW-FIX	KNOCK-IN
<b>I-PATTERN</b> 48/6MM	<b>175°</b> Corner Hinge		STANDARD	<b>OPT.48.175.STD.0.SF</b>	<b>OPT.48.175.STD.0.KI</b>
			SOFT-CLOSE	WITH ADDITIONAL DAMPER OPT.SCL.175.COD	WITH ADDITIONAL DAMPER OPT.SCL.175.COD
<b>B-PATTERN</b> 45/9.5MM	<b>175°</b> Corner Hinge		STANDARD		<b>OPT.45.175.STD.0.KI</b>
			SOFT-CLOSE		WITH ADDITIONAL DAMPER OPT.SCL.175.COD
<b>H-PATTERN</b> 52/5.5MM	<b>175°</b> Corner Hinge		STANDARD		<b>OPT.52.175.STD.0.KI</b>
			SOFT-CLOSE		WITH ADDITIONAL DAMPER OPT.SCL.175.COD

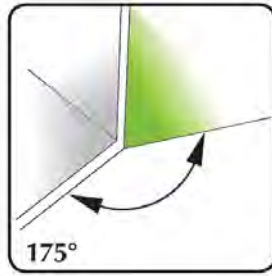


STD = STANDARD  
 SCL = SOFT CLOSE  
 SF = SCREW-FIX  
 KI = KNOCK-IN  
 VF = VELO-FIX  
 I, H = DOWELS 10MM  
 B = DOWELS 8MM



# CONCEALED HINGE SYSTEMS

OPTIMA HINGE SYSTEM



		Drilling distance (K)						
		3	4	5	6	7		
Overlay (C)	19					2		
	18				2			
	17			2		4		
	16		2		4			
	15	2		4		6		
	14		4		6			
	13	4		6				
	12		6					
11	6						Mounting plates (H)	

## CRANK 0 FULL OVERLAY

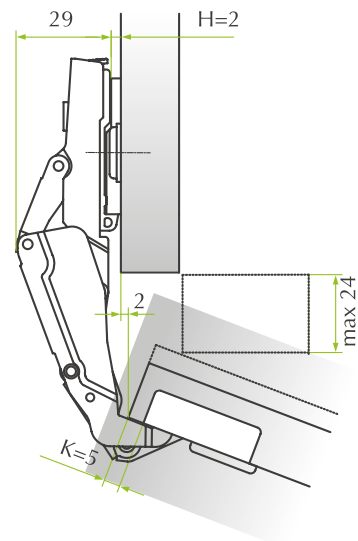
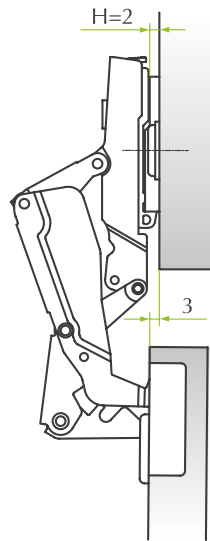
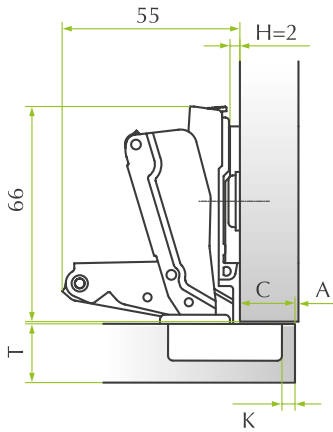


Table to determinate the minimum distance **A** so that a door with **T** thickness can open without protrusion from the cabinet and without interfering with adjacent doors.

T=	6	17	18	19	20	21	22	23	24	25	26
K=3	<b>A=</b> 0.00	0.00	0.00	0.00	0.00	0.00	0.20	0.55	6.80	8.10	13.55
K=4	<b>A=</b> 0.00	0.00	0.00	0.00	0.00	0.05	0.30	3.50	5.85	7.25	12.55
K=5	<b>A=</b> 0.00	0.00	0.00	0.00	0.00	0.05	0.30	3.55	4.90	6.25	11.55
K=6	<b>A=</b> 0.00	0.00	0.00	0.00	0.00	0.05	0.40	3.00	3.90	5.25	10.55
K=7	<b>A=</b> 0.00	0.00	0.00	0.00	0.00	0.05	1.20	2.20	3.15	4.25	9.55

# CONCEALED HINGE SYSTEMS

## OPTIMA HINGE SYSTEM



### ▶ OPTIMA 175° hinge soft-close damper

Versatile installation part for added functionality

- Optional accessory
- For soft-closing of wide-angle doors
- Easy tool-less clip-on installation
- Economical, achieves full door soft-closing with attachment to select hinges only (see table on next page)
- Controlled closing motion, perfectly silent
- Designed for Optima 175° hinges

Code	Description
<b>OPT.SCL.175.COD</b>	Optima 175° hinge clip-on soft-close damper



# CONCEALED HINGE SYSTEMS

OPTIMA HINGE SYSTEM

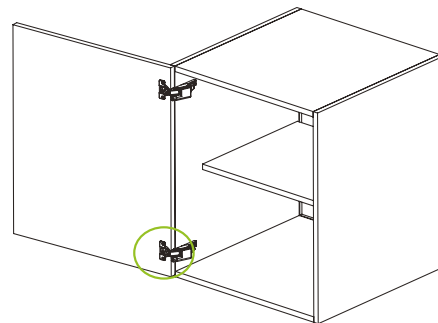
## Planning information

For optimum soft-close performance of OPTIMA 175° hinges, please use below table to determine the number of optional soft-close dampers depending on the weight and dimension of the door.

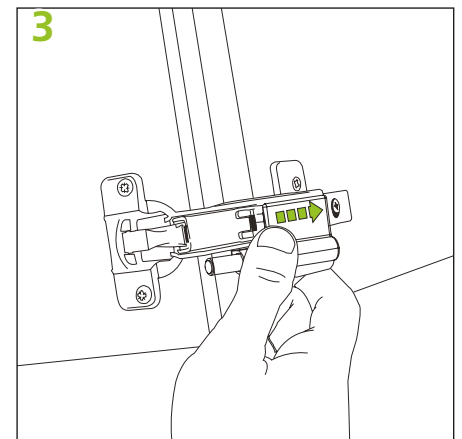
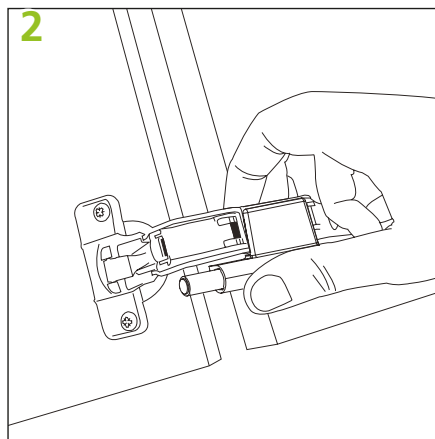
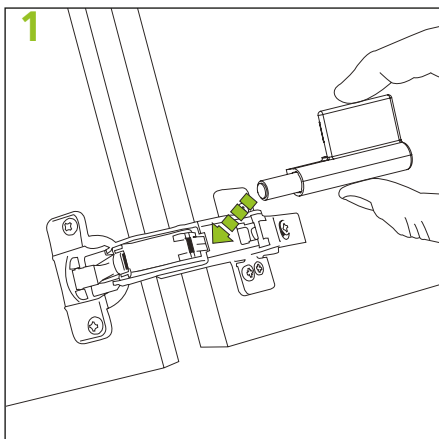
Door dimensions			Door weight	Recommended numbers of 175° hinges	
Width	Height	Thickness		With optional soft-close damper	Standard
450	600	18	3.0 kg	1	1
350	700	18	3.1 kg	1	1
400	700	18	3.6 kg	1	1
450	700	18	4.1 kg	1	1
500	700	18	4.5 kg	1	1
600	700	18	5.4 kg	1	1
400	1200	18	6.2 kg	1-2	1-2
450	1200	18	7.2 kg	1-2	1-2
500	1200	18	7.8 kg	1-2	1-2
600	1200	18	9.3 kg	2	1
400	2100	18	10.9 kg	2	2
450	2100	18	12.3 kg	2	2
600	2100	18	17.0 kg	3	1

## Installation instructions

The OPTIMA 175° soft-close damper should be fitted on the bottom hinge.



## Assembly



To complete the installation, slide on the damper onto the arm of the hinge, and close and open the door again.

# CONCEALED HINGE SYSTEMS




## OPTIMA HINGE SYSTEM

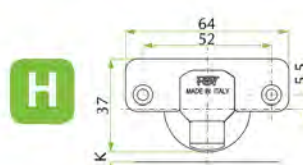
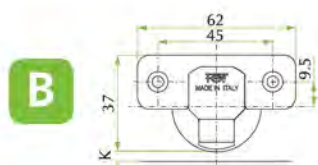
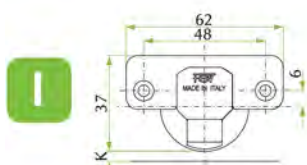
### ▶ OPTIMA pie-cut corner hinge (bifold)



- Depth of the metal cup 11.3mm
- Cup diameter 35mm
- Opening 20° with (K) max 4mm and (T) max 18mm
- Possibility of door drilling (K) from 3 to 7mm
- Thickness of the door (T) from 16 to 26mm
- Require OPTIMA mounting plates



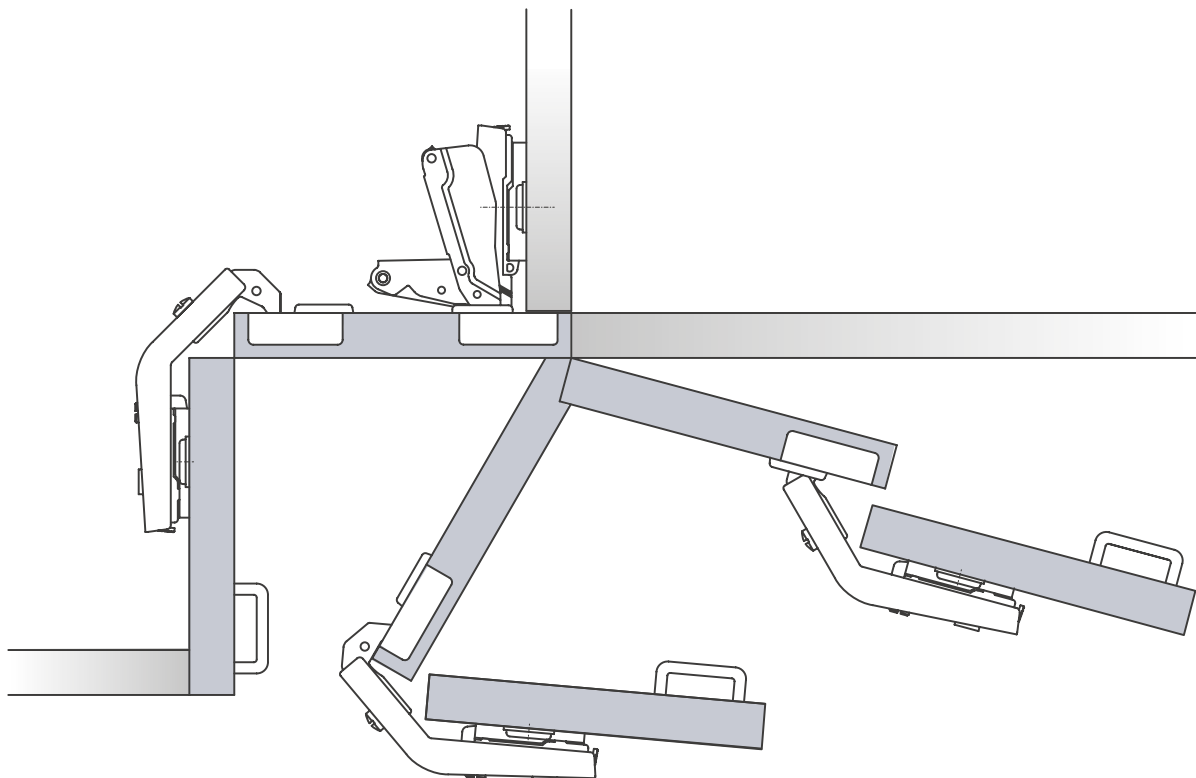
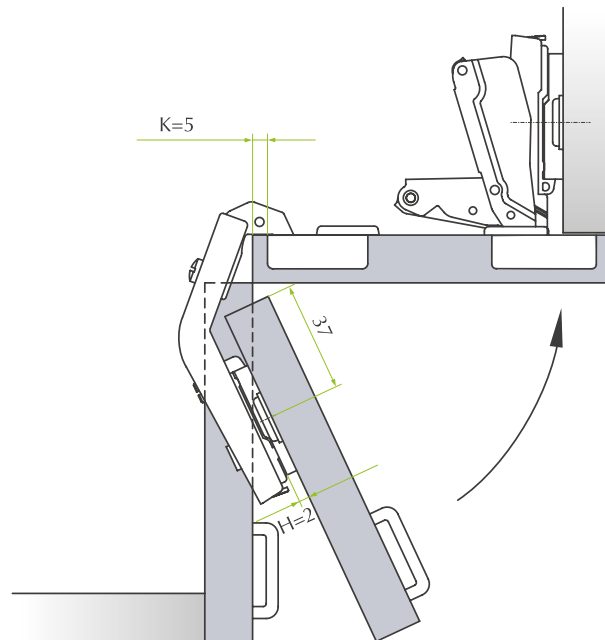
			CLOSING TYPE	FIXING TYPE	
				SCREW-FIX	KNOCK-IN
<b>I-PATTERN</b> 48/6MM	Pie-cut corner (PCC) / bifold		STANDARD	<b>OPT.48.BIF.PCC.SF</b>	<b>OPT.48.BIF.PCC.KI</b>
<b>B-PATTERN</b> 45/9.5MM	Pie-cut corner (PCC) / bifold		STANDARD		<b>OPT.45.BIF.PCC.KI</b>
<b>H-PATTERN</b> 52/5.5MM	Pie-cut corner (PCC) / bifold		STANDARD		<b>OPT.52.BIF.PCC.KI</b>



STD = STANDARD  
 SCL = SOFT CLOSE  
 SF = SCREW-FIX  
 KL = KNOCK-IN  
 VF = VELO-FIX  
 I, H = DOWELS 10MM  
 B = DOWELS 8MM

# CONCEALED HINGE SYSTEMS

OPTIMA HINGE SYSTEM



# CONCEALED HINGE SYSTEMS

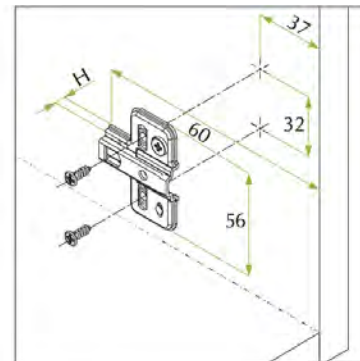
## OPTIMA HINGE SYSTEM

### ► OPTIMA mounting plates for 175° and pie-cut corner / bifold hinges

Metal cruciform mounting plate for screw fixing. Independent vertical adjustment with Cam.



SCREW-FIX

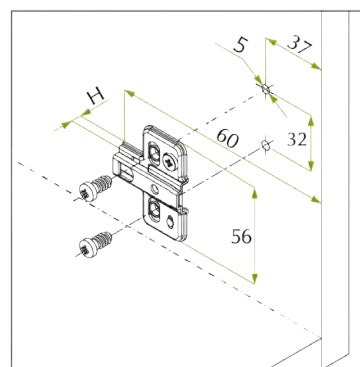


Height	Code
H=2	OPT.PLT.SCW.CAM.H2
H=4	OPT.PLT.SCW.CAM.H4

Metal cruciform mounting plate. Euro screws premounted. Independent vertical adjustment with Cam.



PRE-MOUNTED EURO SCREWS



Height	Code
H=2	OPT.PLT.PME.CAM.H2
H=4	OPT.PLT.PME.CAM.H4

# CONCEALED HINGE SYSTEMS

FGV HINGE SYSTEMS



---

## ► FGV Limited Lifetime Warranty

All FGV products are engineered and produced in compliance with ISO 9001 and ISO 14001 principles. To grant a steady quality level, and a proper furniture functioning throughout its lifetime, up to 15 years, FGV products are tested in their internal Quality Department and submitted for further testing to external independent international testing organizations.

FGV will replace any defective product in case the original purchaser is in possession of the furniture, the product has been properly installed according to the manufacturer's specifications, used only in domestic circumstances, under normal working conditions and without any modification. FGV will replace any defective product with an identical one or reasonably equivalent. The free of charge replacement will be carried out against the presentation of a brief product failure report, the defective product itself, and a copy of the proof of purchase, within 30 days of the product failure occurring.

To the fullest extent permitted by law, all other claims are excluded, including shipping expenses, labour costs related to the removal of the defective product, installation of the replacement and any other additional charge. All services are provided without acknowledgment of any legal responsibility, they are subject to changes without prior notice, and subjected to the standard terms of supply.

# CONCEALED HINGE SYSTEMS

## HELIOS HINGE SYSTEM

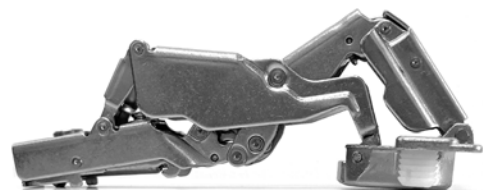


**FUNCTIONAL**  
**RELIABLE**  
**NO WORRIES**

**HELIOS Hinge System** is designed to cover the everyday requirements of cabinet makers and furniture manufacturers.

The comprehensive hinge system offers smooth movement, even under load. With a clip-on design, it is easy to install and meets all the requirements for standard applications.

Backed by 80,000 life cycle and 48 hour salt spray tests, you can rest assured that attractive pricing doesn't come at the expense of quality and performance.





# CONCEALED HINGE SYSTEMS

HELIOS HINGE SYSTEM

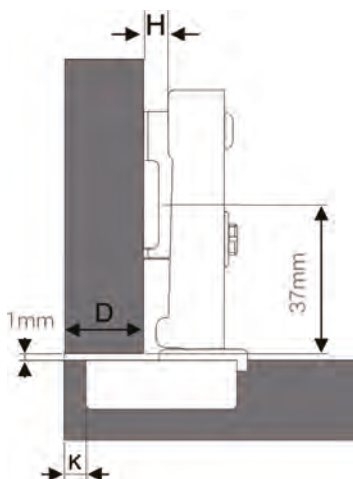
## ► HELIOS 105° HINGE



- Concealed hinge for clip-on installation
- Available as standard close or integrated soft-close
- Opening angle 105°
- For door thickness 15-22mm
- Cup diameter 35mm
- Cup depth 11.5mm
- Right & left adjustment +2.5mm/-2.5mm
- Depth adjustment via cam +3mm/-1mm
- Height adjustment via adjustable plate +2.0mm/-2.0mm

CRANK 0 / FULL OVERLAY	STANDARD CLOSE / SPRUNG		
	48MM / I - PATTERN	45MM / B - PATTERN	52MM / H - PATTERN
<b>SCREW-FIX</b>	HHS.48.105.STD.0.SF		
<b>M10 KNOCK-IN</b>	HHS.48.105.STD.0.KI		HHS.52.105.STD.0.KI
<b>M8 KNOCK-IN</b>		HHS.45.105.STD.0.KI	

CRANK 0 / FULL OVERLAY	SOFT - CLOSE		
	48MM / I - PATTERN	45MM / B - PATTERN	52MM / H - PATTERN
<b>SCREW-FIX</b>	HHS.48.105.SCL.0.SF		
<b>M10 KNOCK-IN</b>	HHS.48.105.SCL.0.KI		HHS.52.105.SCL.0.KI
<b>M8 KNOCK-IN</b>		HHS.45.105.SCL.0.KI	



D   K	CUP DISTANCE				
	3	4	5	6	7
21.0					0
20.0				0	
19.0			0		2
18.0		0		2	
17.0	0		2		
16.0		2			
15.0	2				

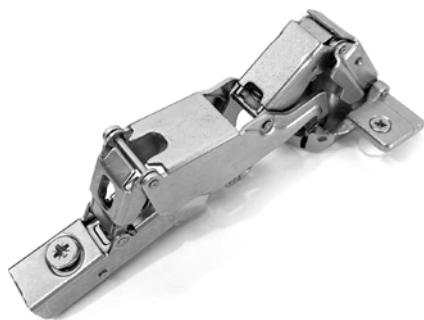
Door overlay

Mounting plate height

# CONCEALED HINGE SYSTEMS

## HELIOS HINGE SYSTEM

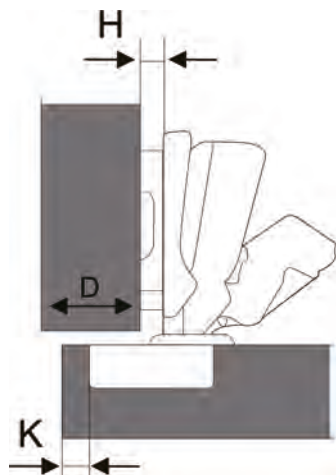
### ► HELIOS 165° CORNER HINGE



- Concealed corner or pantry door hinge for clip-on installation
- Available as standard close or integrated soft-close
- Opening angle 165°
- For door thickness 14-26mm
- Cup diameter 35mm
- Cup depth 11.5mm
- Right & left adjustment +2.5mm/-2.5mm
- Depth adjustment via cam +3mm/-1mm
- Height adjustment via adjustable plate +2.0mm/-2.0mm

CRANK 0 / FULL OVERLAY	STANDARD CLOSE / SPRUNG		
	48MM / I - PATTERN	45MM / B- PATTERN	52MM / H - PATTERN
M10 KNOCK-IN	HHS.48.165.STD.0.KI		

CRANK 0 / FULL OVERLAY	SOFT - CLOSE		
	48MM / I - PATTERN	45MM / B- PATTERN	52MM / H - PATTERN
M10 KNOCK-IN	HHS.48.165.SCL.0.KI		



D   K	CUP DISTANCE				
	3	4	5	6	7
21.0					0
20.0				0	
19.0			0		2
18.0		0		2	
17.0	0		2		
16.0		2			
15.0	2				

Door overlay

Mounting plate height

# CONCEALED HINGE SYSTEMS

HELIOS HINGE SYSTEM

## ► HELIOS MOUNTING PLATES

### FIXED PLATE



PLATE	HEIGHT	
	H = 0	H = 2
<b>SCREW-FIX</b>	HHS.PLT.SCW.FX.H0	HHS.PLT.SCW.FX.H2
<b>PME / PREMOUNTED EURO SCREW</b>	HHS.PLT.PME.FX.H0	HHS.PLT.PME.FX.H2

### CAM ADJUSTABLE PLATE

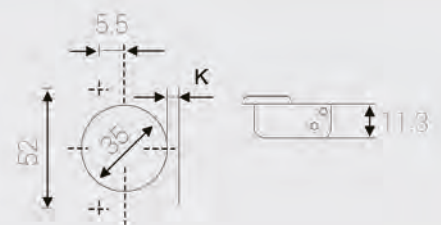
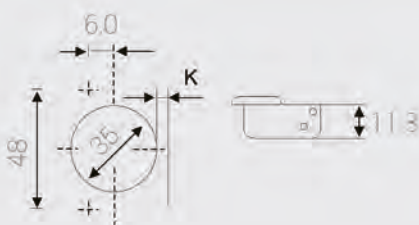


PLATE	HEIGHT	
	H = 0	H = 2
<b>SCREW-FIX</b>	HHS.PLT.SCW.CAM.H0	HHS.PLT.SCW.CAM.H2
<b>PME / PREMOUNTED EURO SCREW</b>	HHS.PLT.PME.CAM.H0	HHS.PLT.PME.CAM.H2

48mm / I-pattern

45mm / B-pattern

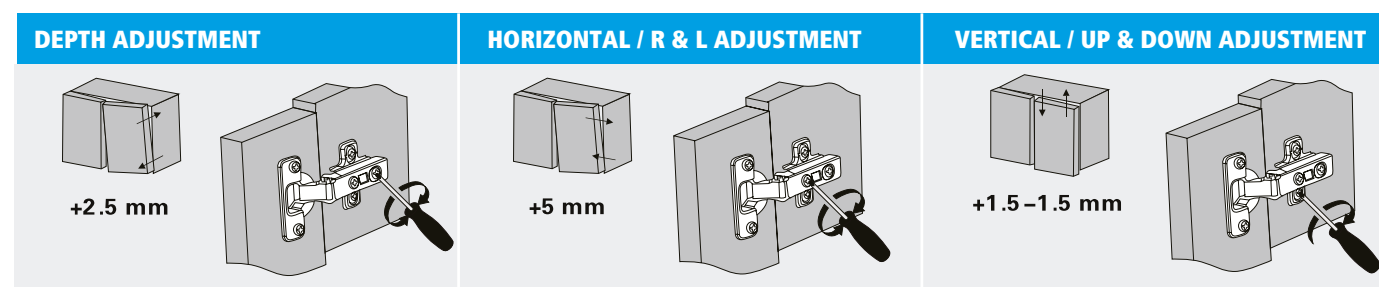
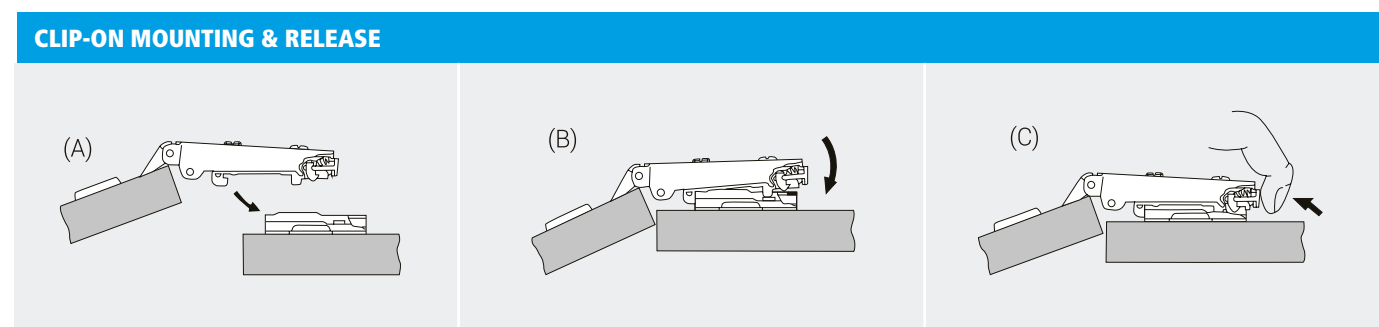
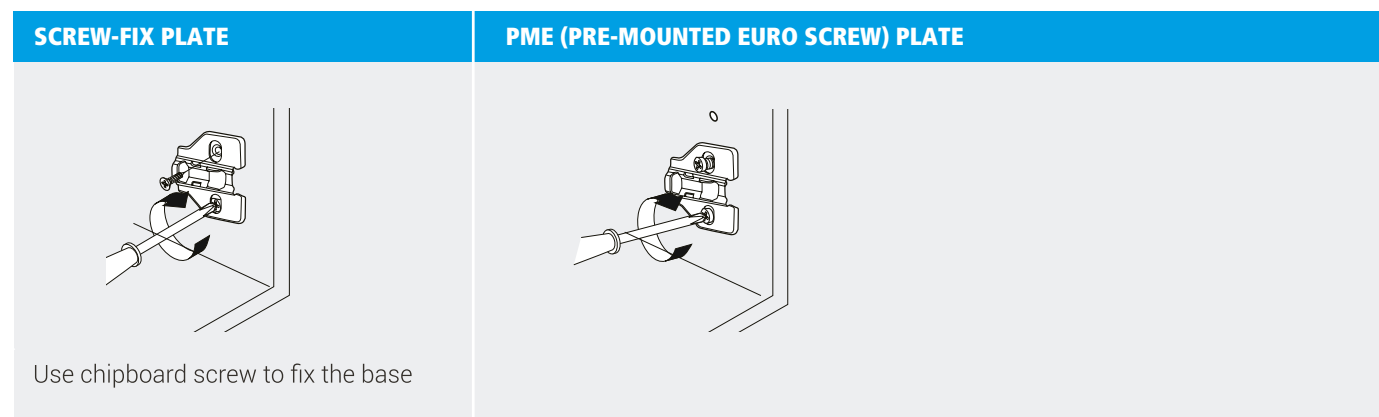
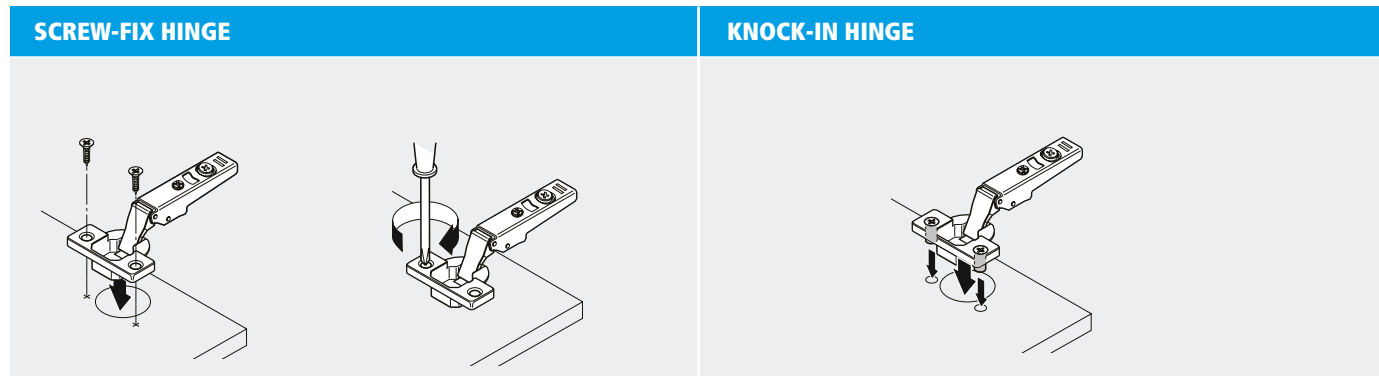
52mm / H-pattern



# CONCEALED HINGE SYSTEMS

## HELIOS HINGE SYSTEM

### ► HELIOS ASSEMBLY



WITH CAM ADJUSTABLE PLATE ONLY

# CONCEALED HINGE SYSTEMS

# CONCEALED HINGE SYSTEMS

## INDEX PART NUMBERS

Part Number	Page
FGV.PTO.40.LMP	13
HHS.PLT.PME.CAM.H0	27
HHS.PLT.PME.CAM.H2	27
HHS.PLT.PME.FX.H0	27
HHS.PLT.PME.FX.H2	27
HHS.PLT.SCW.CAM.H0	27
HHS.PLT.SCW.CAM.H2	27
HHS.PLT.SCW.FX.H0	27
HHS.PLT.SCW.FX.H2	27
OMN.45.110.SCL.0.KI	08
OMN.45.110.SCL.0.VF	08
OMN.45.110.STD.0.KI	08
OMN.45.110.STD.0.VF	08
OMN.45.BC.SCL.VF	10
OMN.45.BC.STD.VF	10
OMN.48.45.SCL.SF	10
OMN.48.110.SCL.0.KI	08
OMN.48.110.SCL.0.SF	08
OMN.48.110.SCL.0.VF	08
OMN.48.110.SCL.8.KI	08
OMN.48.110.SCL.15.SF	08
OMN.48.110.SCL.15.VF	08
OMN.48.110.STD.0.KI	08
OMN.48.110.STD.0.SF	08
OMN.48.110.STD.0.VF	08
OMN.48.110.STD.8.KI	08
OMN.48.110.STD.15.KI	08
OMN.48.BC.SCL.SF	10

# CONCEALED HINGE SYSTEMS

## INDEX PART NUMBERS

Part Number.....	Page
OMN.48.BC.SCL.VF .....	10
OMN.48.BC.STD.SF.....	10
OMN.48.BC.STD.VF .....	10
OMN.52.110.SCL.0.VF.....	08
OMN.52.110.STD.0.VF.....	08
OMN.HGE.CCC .....	12
OMN.PLT.PME.CAM.H0.....	12
OMN.PLT.PME.CAM.H2.....	12
OMN.PLT.PME.CAM.H4.....	12
OMN.PLT.SCW.CAM.H0 .....	12
OMN.PLT.SCW.CAM.H2 .....	12
OMN.PLT.SCW.CAM.H4 .....	12
OPT.45.175.STD.0.KI.....	16
OPT.45.BIF.PCC.KI .....	20
OPT.48.175.STD.0.KI.....	16
OPT.48.175.STD.0.SF .....	16
OPT.48.BIF.PCC.KI .....	20
OPT.48.BIF.PCC.SF.....	20
OPT.52.175.STD.0.KI.....	16
OPT.52.BIF.PCC.KI .....	20
OPT.PLT.PME.CAM.H2 .....	22
OPT.PLT.PME.CAM.H4 .....	22
OPT.PLT.SCW.CAM.H2.....	22
OPT.PLT.SCW.CAM.H4.....	22
OPT.SCL.175.COD.....	16, 18



**CABINET HARDWARE SYSTEMS**

# CONCEALED HINGE SYSTEMS

# #CHS

## Australia

1800 008 591 ■ [www.artia.com.au](http://www.artia.com.au)

**VICTORIA:**

235 Settlement Road,  
Thomastown VIC 3074

**NEW SOUTH WALES:**

6 Nello Place  
Wetherill Park NSW 2164

**QUEENSLAND:**

Building 2/660 MacArthur  
Avenue, Pinkenba QLD 4008

**SOUTH AUSTRALIA:**

13 Rosberg Road,  
Wingfield SA 5013

**WESTERN AUSTRALIA:**

Unit 5/1 Dellamarta Road,  
Wangara WA 6065

## New Zealand

0800 267 625 ■ [www.artia.co.nz](http://www.artia.co.nz)

**AUCKLAND:**

11 Bruce Roderick Drive,  
East Tamaki, Auckland 2013

**CHRISTCHURCH:**

117 Wrights Road,  
Addington, Christchurch 8024