



# CABINET HARDWARE SYSTEMS

## DRAWER SLIDES

# #DSL

### Australia

1800 008 591 | [www.artia.com.au](http://www.artia.com.au)

**VICTORIA:**

235 Settlement Road,  
Thomastown VIC 3074

**NEW SOUTH WALES:**

6 Nello Place,  
Wetherill Park NSW 2164

**QUEENSLAND:**

Building 2/660 MacArthur  
Avenue, Pinkenba QLD 4008

**SOUTH AUSTRALIA:**

13 Rosberg Road,  
Wingfield SA 5013

**WESTERN AUSTRALIA:**

Unit 5/1 Dellamarta Road,  
Wangara WA 6065

### New Zealand

0800 267 625 | [www.artia.co.nz](http://www.artia.co.nz)

**AUCKLAND:**

11 Bruce Roderick Drive,  
East Tamaki, Auckland 2013

**CHRISTCHURCH:**

117 Wrights Road,  
Addington, Christchurch 8024

## CONTENTS

<b>GSLIDE DRAWER SLIDES</b> .....	1
<b>GSLIDE SOFT-CLOSE DRAWER SLIDES</b> .....	2
GSlide Adjustable Soft-Close Side-Mount .....	2
Slide Dimensions .....	2
Applications .....	3
Mounting Profile .....	3
<b>GSLIDE SOFT-CLOSE DRAWER SLIDES</b> .....	4
GSlide Adjustable Soft-Close Bottom-Mount .....	4
Slide Dimensions .....	4
Applications .....	5
Mounting Profile .....	5
<b>GSLIDE TOUCH-TO-OPEN DRAWER SLIDES</b> .....	6
GSlide Touch Release / Push-to-Open Side-Mount .....	6
Slide Dimensions .....	6
Applications .....	7
Mounting Profile .....	7
Expandable Push Area .....	7
<b>GSLIDE TOUCH-TO-OPEN DRAWER SLIDES</b> .....	8
GSlide Touch Release / Push-to-Open Bottom-Mount .....	8
Slide Dimensions .....	8
Applications .....	9
Mounting Profile .....	9
Expandable push area .....	9
<b>ZAPPHYRE SOFT-CLOSE DRAWER SLIDES</b> .....	10
ZSC Side-Mount .....	10
Mounting Positions .....	11
<b>ZAPPHYRE FULL EXTENSION DRAWER SLIDES</b> .....	12
ZFE Side-Mount.....	12
Installation Information.....	13
ZFE Bottom-Mount .....	14
Installation Information .....	15
<b>ROLLER SLIDES</b> .....	16
Single Extension Roller Slides .....	16
Mounting Profile .....	16
Mounting Positions .....	17
Extension Loss .....	17
Dimensions .....	17
<b>TOPAZ CONCEALED UNDERMOUNT DRAWER SLIDES</b> .....	18
TUM Adjustable Soft-Close .....	18
Installation Dimensions.....	19
Installation Guide.....	20

# DRAWER SLIDES

GSLIDE DRAWER SLIDES



## Innovation

Established in June 2004, GSlide was the first company in the world to market precision ball bearing slides with a patented adjustable soft-close module, and followed this up by runners with integrated touch-to-open modules.

The result; highly functional slide runners that add unsurpassed convenience to any piece of furniture.

## Quality Made In Taiwan

With a manufacturing base in Taiwan, GSlide takes pride in offering a modern and innovative range of slide mechanisms for a multitude of applications, including quality kitchen and elegant furniture drawers that seek to distinguish themselves by looks, design, function, dependability and high quality functional components.

## Complete range

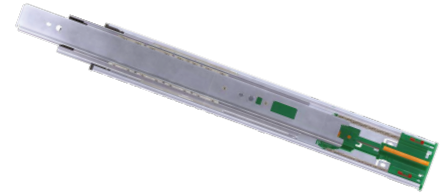
Artia stocks a wide range of full extension ball-bearing runners with adjustable soft-close or touch-release mechanisms across the main standard lengths and finishes, for both side or undermount installation with alternative versions available as indent / special order.

# DRAWER SLIDES

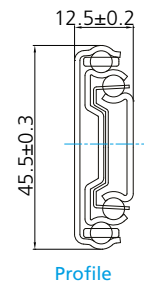
## GSLIDE SOFT-CLOSE DRAWER SLIDES

### ► GSlide Adjustable Soft-Close Side-Mount

- Three-piece soft-close extension slide runners for side-mounting
- **Adjustable soft-close spring** - to compensate for installation discrepancies, i.e. tight cabinets (patented)
- Automatic low noise closing action - 38mm oil-filled soft-closing cylinder
- Superior quality - Made in Taiwan by Gslide, tested to 50,000 opening and closing cycles
- SPCC cold rolled carbon steel, high quality ball-bearings
- Up to 45kg load rating (NL550)
- 36mm damping stroke for 400mm lengths and above (20mm for others)
- Standard profile width to maximise drawer widths
- 'System 32' hole pattern, non-handed design, disconnect release lever
- Flexible mounting tabs self-adjust to side clearance



CODE	DESCRIPTION	PACKAGING
<b>A270X300ZP-1</b>	Side-mount soft-close (zinc), NL300	10 pairs / carton
<b>A270X350ZP-1</b>	Side-mount soft-close (zinc), NL350	10 pairs / carton
<b>A270X400ZP-1</b>	Side-mount soft-close (zinc), NL400	10 pairs / carton
<b>A270X450ZP-1</b>	Side-mount soft-close (zinc), NL450	10 pairs / carton
<b>A270X500ZP-1</b>	Side-mount soft-close (zinc), NL500	10 pairs / carton
<b>A270X550ZP-1</b>	Side-mount soft-close (zinc), NL550	10 pairs / carton
<b>A270X600ZP-1</b>	Side-mount soft-close (zinc), NL600	10 pairs / carton
<b>A270X700ZP-1</b>	Side-mount soft-close (zinc), NL700	10 pairs / carton

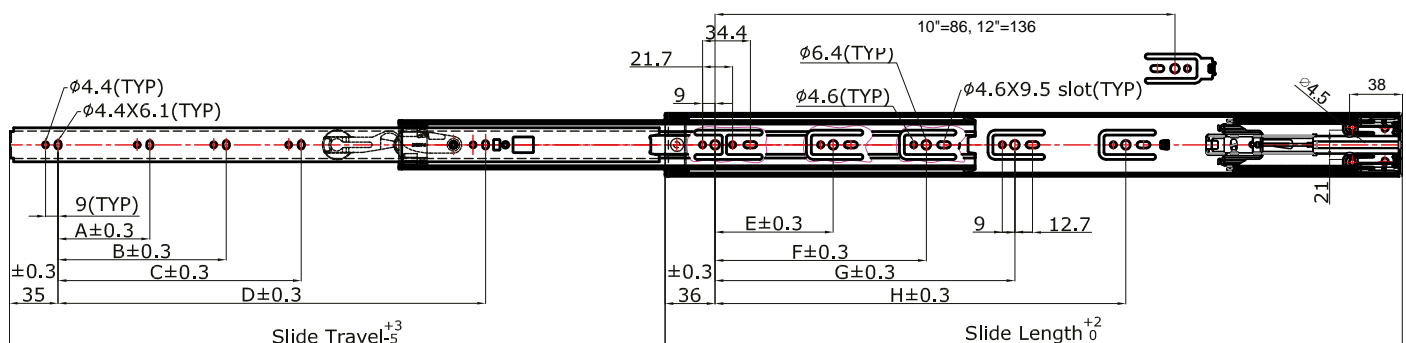


CODE	DESCRIPTION	PACKAGING
<b>A270X450BLK-2</b>	Side-mount soft-close (black), NL450	10 pairs / carton

\* Also available in other lengths as indent / special order with additional lead times and MOQ = 300 pairs per SKU

### ► Slide Dimensions

All dimensions in millimetres

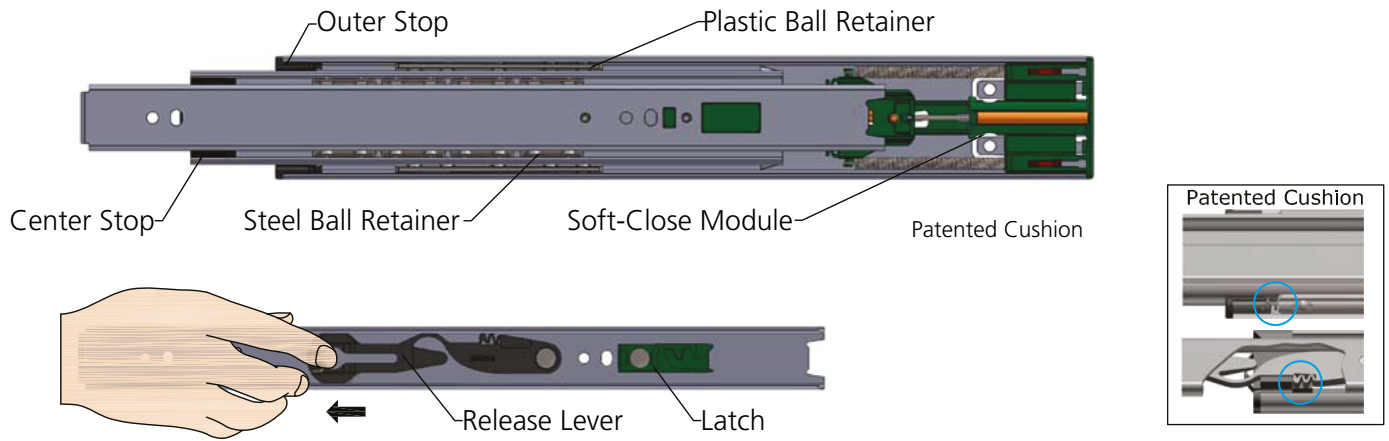


NL	MM	TRAVEL	LOAD RATING (KG)	A	B	C	D	E	F	G	H
<b>10" (250)</b>	250	164	15				124				
<b>12" (300)</b>	300	265	20				174				
<b>14" (350)</b>	350	340	25				224	160			
<b>16" (400)</b>	400	400	30	96			256	176			
<b>18" (450)</b>	450	450	35	128			306	128	224		
<b>20" (500)</b>	500	502	40	96	160		344	128	288		
<b>22" (550)</b>	550	550	45	96	160		394	128	224	320	
<b>24" (600)</b>	600	600	35	128	192		444	128	256	384	
<b>26" (650)</b>	650	650	35	128	224	416	494	128	224	320	416
<b>28" (700)</b>	700	700	35	128	224	480	544	128	224	352	480

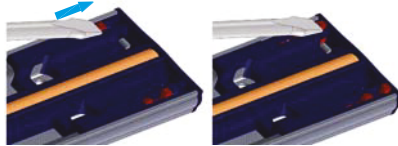
# DRAWER SLIDES

GSLIDE SOFT-CLOSE DRAWER SLIDES

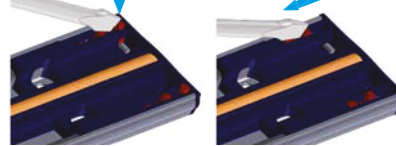
## ► Applications



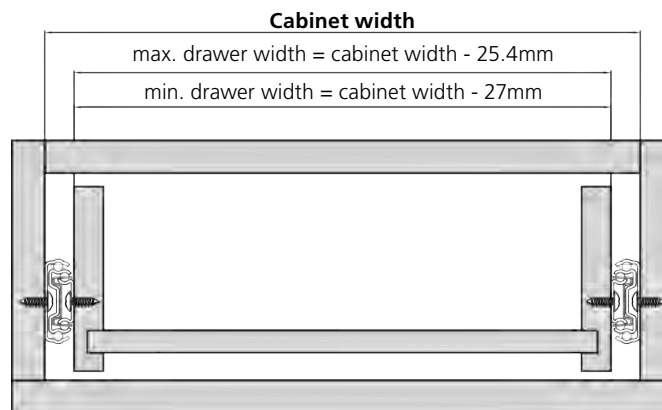
To increase the spring tension (more closing force) use a slotted screwdriver to push adjustment pads (Δ) rearward as seen in picture.



To decrease the tension (less closing force) use a slotted screwdriver to push down on adjustment pads (RESET) and then pull forward as seen in picture.



## ► Mounting Profile



\* max. drawer width = slide length + 200mm

300-350mm – 20mm stroke of soft-closing  
400-700mm – 36mm stroke of soft-closing

# DRAWER SLIDES

## GSLIDE SOFT-CLOSE DRAWER SLIDES

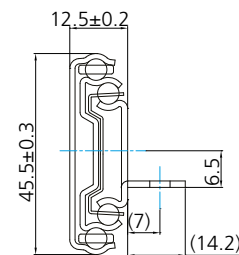
### ► GSlide Adjustable Soft-Close Bottom-Mount

- Three-piece soft-close extension slide runners for bottom-mounting
- **Adjustable soft-close spring** - to compensate for installation discrepancies, i.e. tight cabinets (patented)
- Automatic low noise closing action - 38mm oil-filled soft-closing cylinder
- Superior quality - Made in Taiwan by Gslide, tested to 50,000 opening and closing cycles
- SPCC cold rolled carbon steel, high quality ball-bearings
- Up to 45kg load rating (NL 550)
- 36 mm damping stroke for 400mm lengths and above (20mm for others)
- Standard profile width to maximise drawer widths
- 'System 32' hole pattern, non-handed design, disconnect release lever
- Flexible mounting tabs self-adjust to side clearance



CODE	DESCRIPTION	PACKAGING
<b>A271X350ZP-1</b>	Bottom-mount soft-close (zinc), NL350	10 pairs / carton
<b>A271X400ZP-1</b>	Bottom-mount soft-close (zinc), NL400	10 pairs / carton
<b>A271X450ZP-1</b>	Bottom-mount soft-close (zinc), NL450	10 pairs / carton
<b>A271X500ZP-1</b>	Bottom-mount soft-close (zinc), NL500	10 pairs / carton
<b>A271X550ZP-1</b>	Bottom-mount soft-close (zinc), NL550	10 pairs / carton

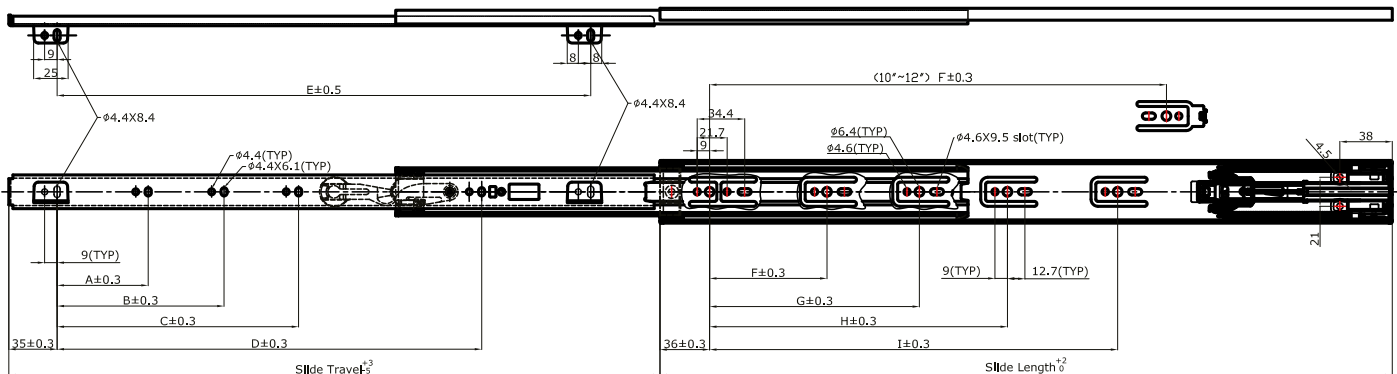
\* Also available in other lengths as indent / special order with additional lead times and MOQ = 300 pairs per SKU



Profile

### ► Slide Dimensions

All dimensions in millimetres

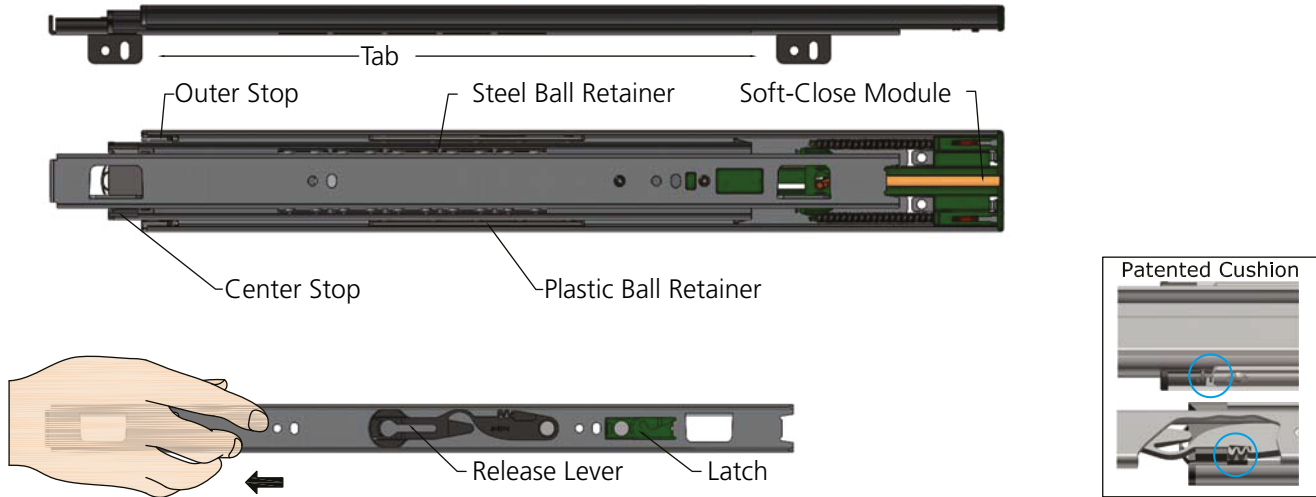


NL	MM	TRAVEL	LOAD RATING (KG)	A	B	C	D	E	F	G	H	I
<b>10" (250)</b>	250	164	10	/	/	/	124	185	86	/	/	/
<b>12" (300)</b>	300	265	15	/	/	/	174	235	136	/	/	/
<b>14" (350)</b>	350	340	20	/	/	/	224	285	160	/	/	/
<b>16" (400)</b>	400	400	25	96	/	/	256	320	176	/	/	/
<b>18" (450)</b>	450	450	30	128	/	/	306	370	128	224	/	/
<b>20" (500)</b>	500	502	35	96	160	/	344	420	128	288	/	/
<b>22" (550)</b>	550	550	40	96	160	/	394	470	128	224	320	/
<b>24" (600)</b>	600	600	30	128	192	/	444	520	128	256	384	/
<b>26" (650)</b>	650	650	30	128	224	416	494	570	128	224	320	416
<b>28" (700)</b>	700	700	30	128	224	480	544	620	128	224	352	480

# DRAWER SLIDES

GSLIDE SOFT-CLOSE DRAWER SLIDES

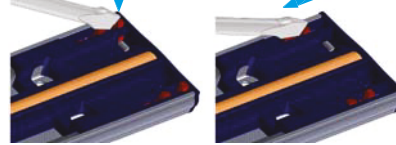
## ► Applications



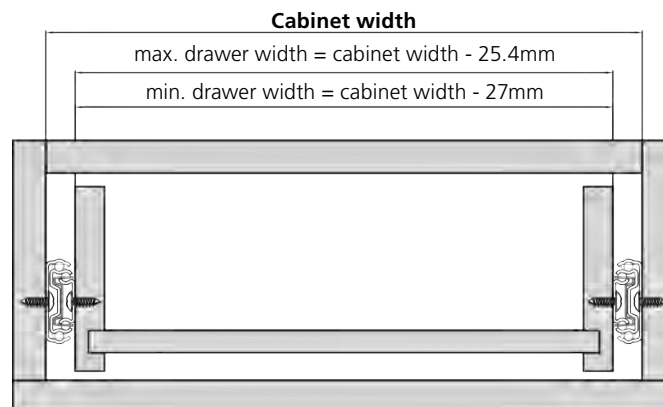
To increase the spring tension (more closing force) use a slotted screwdriver to push adjustment pads (Δ) rearward as seen in picture.



To decrease the tension (less closing force) use a slotted screwdriver to push down on adjustment pads (RESET) and then pull forward as seen in picture.



## ► Mounting Profile



\* max. drawer width = slide length + 200mm

300-350mm – 20mm stroke of soft-closing  
400-700mm – 36mm stroke of soft-closing

# DRAWER SLIDES

## GSLIDE TOUCH-TO-OPEN DRAWER SLIDES

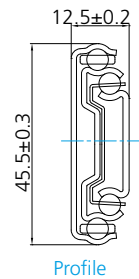
### ► GSlide Touch Release / Push-to-Open Side-Mount

- Full extension slide runners for side-mounting
- **Integrated push-to-open function with PaX push area expander** - Open the drawer by touching virtually anywhere on the front
- Ideal for drawers without knobs, pulls or handles
- Minimal push-to-open activation distance (4mm ±0.5mm)
- **'No bounce'** rebound preventing device - Prevents accidental re-opening of drawer when closing it with force.
- Superior quality - Made in Taiwan by Gslide, tested to 50,000 opening and closing cycles
- SPCC cold rolled carbon steel, high quality ball-bearings
- Up to 45kg load rating (NL550)
- Non-handed design, disconnect release lever



CODE	DESCRIPTION	PACKAGING
<b>4560X300ZP-1</b>	Side-mount touch-to-open (zinc), NL300	10 pairs / carton
<b>4560X350ZP-1</b>	Side-mount touch-to-open (zinc), NL350	10 pairs / carton
<b>4560X400ZP-1</b>	Side-mount touch-to-open (zinc), NL400	10 pairs / carton
<b>4560X450ZP-1</b>	Side-mount touch-to-open (zinc), NL450	10 pairs / carton
<b>4560X500ZP-1</b>	Side-mount touch-to-open (zinc), NL500	10 pairs / carton
<b>4560X550ZP-1</b>	Side-mount touch-to-open (zinc), NL550	10 pairs / carton

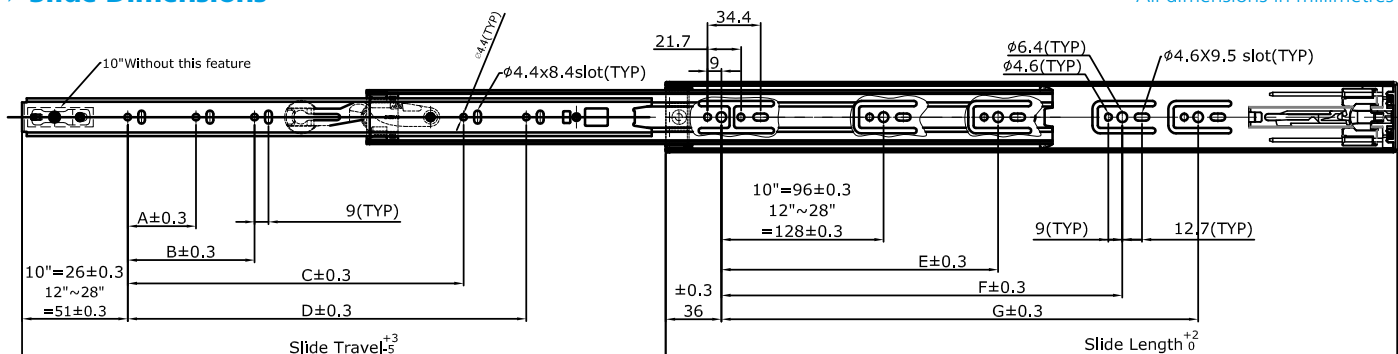
CODE	DESCRIPTION	PACKAGING
<b>4560X300BLK-2</b>	Side-mount touch-to-open (black), NL300	10 pairs / carton



\* Also available in other lengths as indent / special order with additional lead times and MOQ = 300 pairs per SKU

### ► Slide Dimensions

All dimensions in millimetres



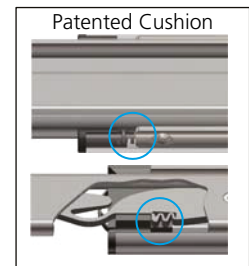
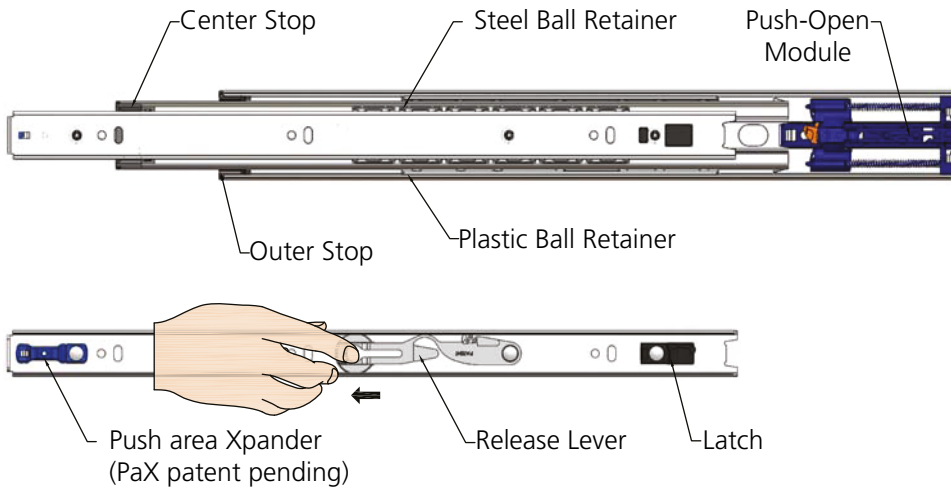
Size	Slide Length	Slide Travel	Load Rating / kg	A	B	C	D	E	F	G
<b>10" (250)</b>	250	237.5	20				152			
<b>12" (300)</b>	300	300	25				167			
<b>14" (350)</b>	350	350	35	71			217	192		
<b>16" (400)</b>	400	400	40	103			267	224		
<b>18" (450)</b>	450	450	45	103	277		317	256		
<b>20" (500)</b>	500	500	45	135	309		367	304		
<b>22" (550)</b>	550	550	40	103	167	359	417	256	352	
<b>24" (600)</b>	600	600	40	103	199	409	467	256	416	
<b>26" (650)</b>	650	650	35	103	199	459	517	256	352	464
<b>28" (700)</b>	700	700	35	103	199	509	567	256	384	512



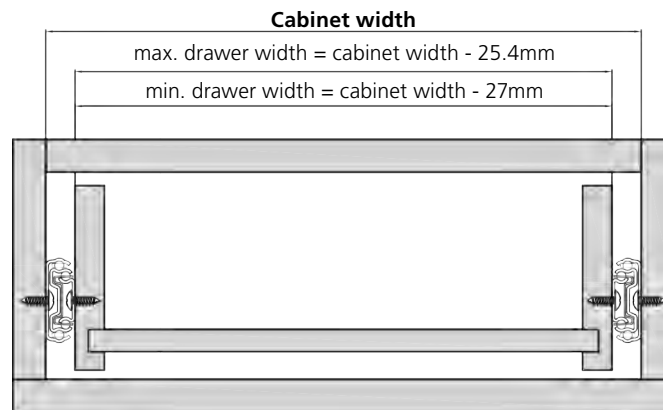
# DRAWER SLIDES

GSLIDE TOUCH-TO-OPEN DRAWER SLIDES

## ► Applications

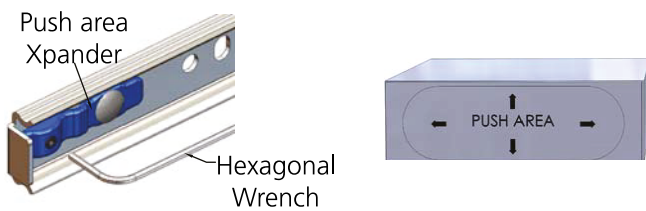


## ► Mounting Profile



\* max. drawer width = slide length + 200mm

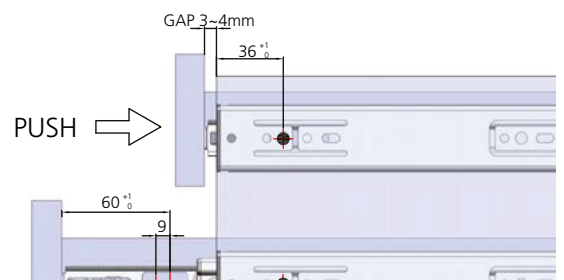
## ► Expandable Push Area



**DESIGNED TO INCREASE THE TOUCH TOP OPEN AREA.**

### To increase the touch-to-open area

Fine-tune (tighten or loosen) the PaX with a hexagonal wrench / Allen key for better surface contact, especially with wider drawers.



# DRAWER SLIDES

## GSLIDE TOUCH-TO-OPEN DRAWER SLIDES

### ► GSlide Touch Release / Push-to-Open Bottom-Mount

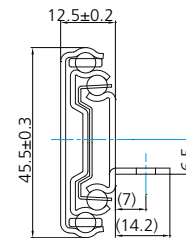
- Full extension slide runners for bottom-mounting
- **Integrated push-to-open function with PaX push area expander** - Open the drawer by touching virtually anywhere on the front
- Ideal for drawers without knobs, pulls or handles
- Minimal push-to-open activation distance (4mm ±0.5mm)
- **'No bounce'** rebound preventing device - Prevents accidental re-opening of drawer when closing it with force
- Superior quality - Made in Taiwan by Gslide, tested to 50,000 opening and closing cycles.
- SPCC cold rolled carbon steel, high quality ball-bearings
- Up to 45kg load rating (NL550)
- Non-handed design, disconnect release lever



CODE	DESCRIPTION	PACKAGING
<b>4561X500ZP-1</b>	Bottom-mount push-to-open (zinc), NL500	10 pairs / carton

CODE	DESCRIPTION	PACKAGING
<b>4561X350BLK-2</b>	Bottom-mount push-to-open (black), NL350	10 pairs / carton
<b>4561X400BLK-2</b>	Bottom-mount push-to-open (black), NL400	10 pairs / carton

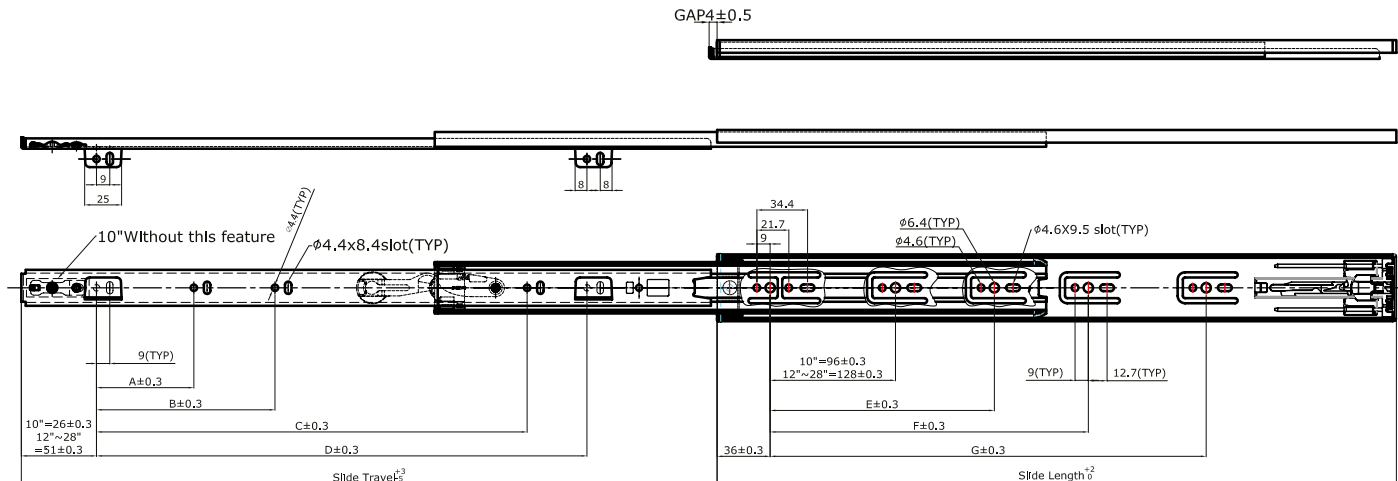
\* Also available in other lengths as indent / special order with additional lead times and MOQ = 300 pairs per SKU



Profile

### ► Slide Dimensions

All dimensions in millimetres

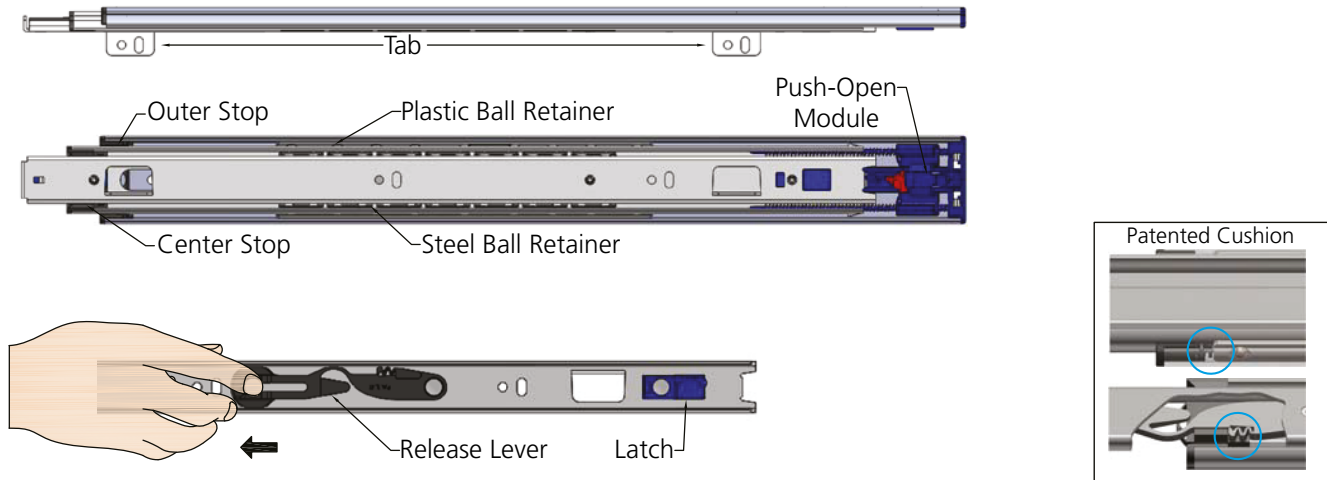


NL	MM	TRAVEL	LOAD RATING (KG)	A	B	C	D	E	F	G
<b>10" (250)</b>	250	237.5	15				152			
<b>12" (300)</b>	300	300	20				167			
<b>14" (350)</b>	350	350	30	71			217	192		
<b>16" (400)</b>	400	400	35	103			267	224		
<b>18" (450)</b>	450	450	40	103	277		317	256		
<b>20" (500)</b>	500	500	40	135	309		367	304		
<b>22" (550)</b>	550	550	35	103	167	359	417	256	352	
<b>24" (600)</b>	600	600	35	103	199	409	467	256	416	
<b>26" (650)</b>	650	650	30	103	199	459	517	256	352	464
<b>28" (700)</b>	700	700	30	103	199	509	567	256	384	512

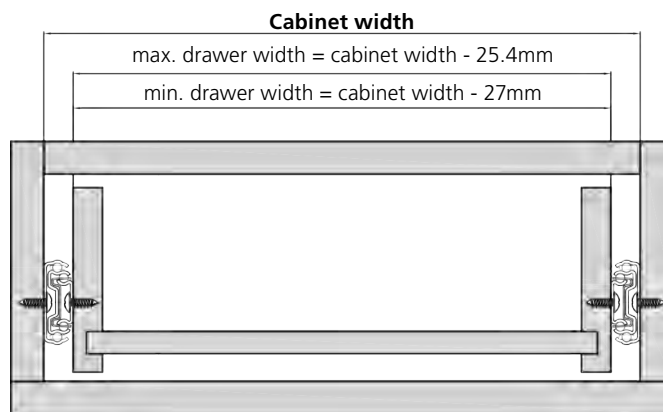
# DRAWER SLIDES

GSLIDE TOUCH-TO-OPEN DRAWER SLIDES

## ► Applications

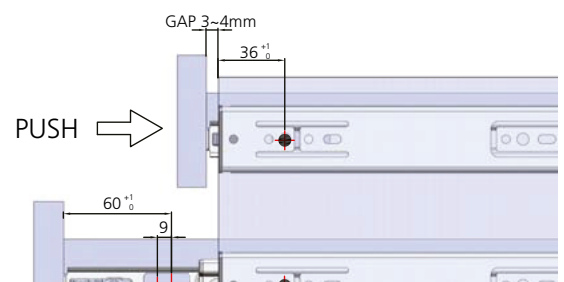
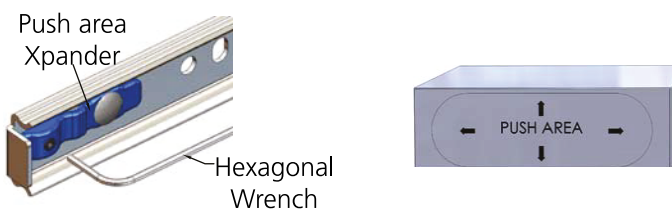


## ► Mounting Profile



\* max. drawer width = slide length + 200mm

## ► Expandable Push Area



**DESIGNED TO INCREASE THE TOUCH TOP OPEN AREA.**

### To increase the touch-to-open area

Fine-tune (tighten or loosen) the PaX with a hexagonal wrench / Allen key for better surface contact, especially with wider drawers.

# DRAWER SLIDES

## ZAPPHYRE SOFT-CLOSE DRAWER SLIDES

### ► ZSC Side-Mount

## Features & Benefits for **Peace of Mind**



#### Value for money

- Full extension runners with soft-close for side-mounting
- Cold-rolled steel (1.2/1.2/1.5mm strong) for high precision running properties.
- Quiet-running ball-bearing cage assembly.
- Front-mounted disconnect lever for easy drawer removal.
- Hold-in feature to keep drawer securely shut.

#### Smooth soft-close feature

- Sensitive activation of the soft-close action for smooth closing of the drawer.
- Double-spring mechanism for reliable soft-close action time and time again

#### Reliable quality

- 50,000 open/close cycle durability test
- 48 hour salt spray corrosion testing
- 35kg load rating.

#### INSTALLATION RECOMMENDATION

- Min / recommended side clearance 13.0mm
- Maximum side clearance 13.5mm

# DRAWER SLIDES

ZAPPHYRE SOFT-CLOSE DRAWER SLIDES

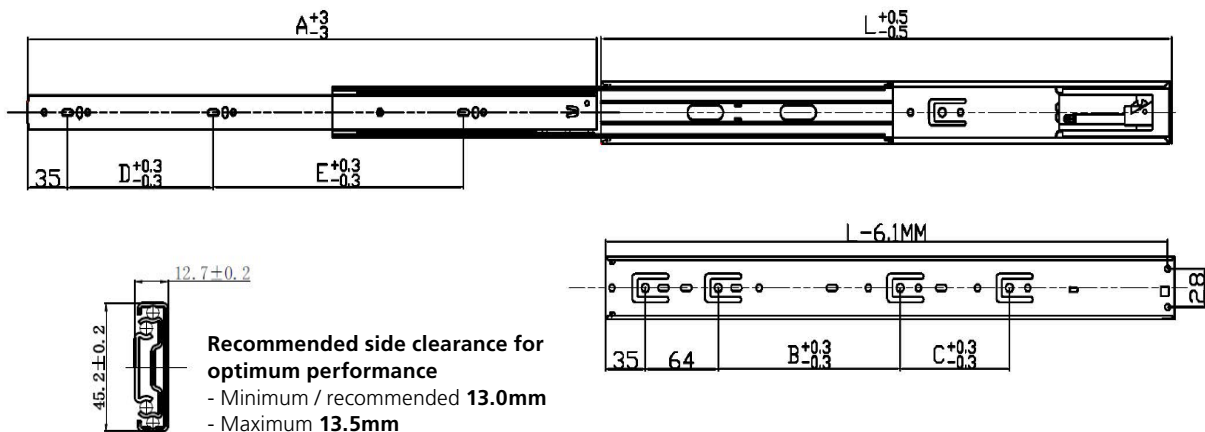
CODE	DESCRIPTION	PACKAGING
<b>ZSC.SM250.ZC</b>	Side-mount soft-close (zinc), NL250	10 pairs / carton
<b>ZSC.SM300.ZC</b>	Side-mount soft-close (zinc), NL300	10 pairs / carton
<b>ZSC.SM350.ZC</b>	Side-mount soft-close (zinc), NL350	10 pairs / carton
<b>ZSC.SM400.ZC</b>	Side-mount soft-close (zinc), NL400	10 pairs / carton
<b>ZSC.SM450.ZC</b>	Side-mount soft-close (zinc), NL450	10 pairs / carton
<b>ZSC.SM500.ZC</b>	Side-mount soft-close (zinc), NL500	10 pairs / carton
<b>ZSC.SM550.ZC</b>	Side-mount soft-close (zinc), NL550	10 pairs / carton

\* Also available as bottom-mount or in black as indent / special order with additional lead times and MOQ = 510 pairs per SKU



## ► Mounting Positions

All dimensions in millimetres



SLIDE SIZE	A	B	C	D	E	L
<b>10" (250)</b>	250			128		
<b>12" (300)</b>	300			96	96	300
<b>14" (350)</b>	350	96		128	128	350
<b>16" (400)</b>	400	160		160	128	400
<b>18" (450)</b>	450	160		160	160	450

# DRAWER SLIDES

## ZAPPHYRE FULL EXTENSION DRAWER SLIDES

### ► ZFE Side-Mount

## Features & Benefits for Peace of Mind



#### Value for money

- Full extension runners for side-mounting
- Cold-rolled steel for high precision running properties.
- 1.2 / 1.2 / 1.5mm strong.
- Quiet-running ball-bearing cage assembly.
- Front-mounted disconnect lever for easy drawer removal.

#### Reliable quality

- 50,000 open/close cycle durability test
- 48 hour salt spray corrosion testing
- 45kg load rating

CODE	DESCRIPTION	PACKAGING
<b>ZFE.SM250.ZC</b>	Side-mount full extension (zinc), NL250	10 pairs / carton
<b>ZFE.SM300.ZC</b>	Side-mount full extension (zinc), NL300	10 pairs / carton
<b>ZFE.SM350.ZC</b>	Side-mount full extension (zinc), NL350	10 pairs / carton
<b>ZFE.SM400.ZC</b>	Side-mount full extension (zinc), NL400	10 pairs / carton
<b>ZFE.SM450.ZC</b>	Side-mount full extension (zinc), NL450	10 pairs / carton
<b>ZFE.SM500.ZC</b>	Side-mount full extension (zinc), NL500	10 pairs / carton
<b>ZFE.SM550.ZC</b>	Side-mount full extension (zinc), NL550	10 pairs / carton

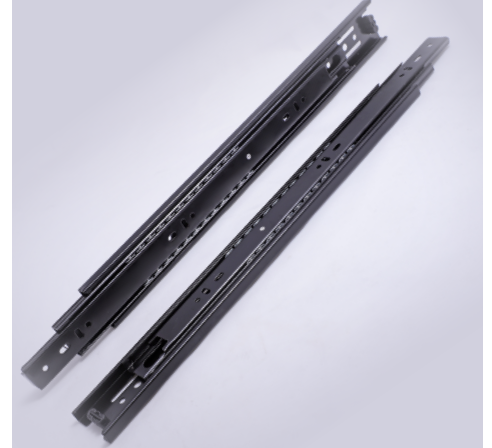
\* Also available in other lengths as indent / special order with additional lead times and MOQ = 510 pairs per SKU



# DRAWER SLIDES

## ZAPPHYRE FULL EXTENSION DRAWER SLIDES

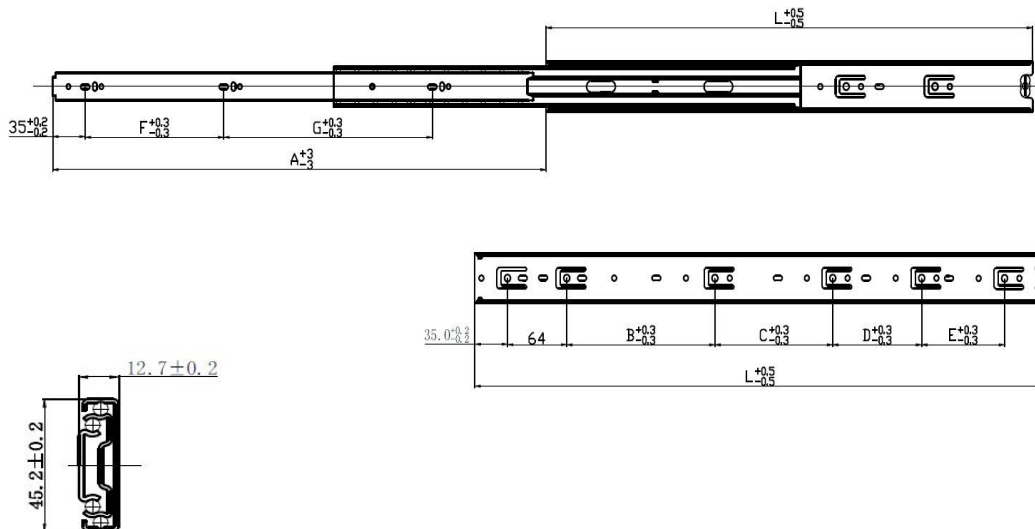
CODE	DESCRIPTION	PACKAGING
<b>ZFE.SM350.BL</b>	Side-mount full extension (black), NL350	10 pairs / carton
<b>ZFE.SM400.BL</b>	Side-mount full extension (black), NL400	10 pairs / carton
<b>ZFE.SM450.BL</b>	Side-mount full extension (black), NL450	10 pairs / carton
<b>ZFE.SM500.BL</b>	Side-mount full extension (black), NL500	10 pairs / carton



\* Also available in other lengths as indent / special order with additional lead times and MOQ = 510 pairs per SKU

### ► Installation Information

All dimensions in millimetres



SIZE	SLIDE LENGTH	A	B	C	D	E	L
<b>10" (250)</b>	250	250			128		
<b>12" (300)</b>	300	300			96	96	300
<b>14" (350)</b>	350	350	96		128	128	350
<b>16" (400)</b>	400	400	160		160	128	400
<b>18" (450)</b>	450	450	160		160	160	450
<b>20" (500)</b>	500	500	160	96	192	160	500
<b>22" (550)</b>	550	550	160	128	192	192	550

# DRAWER SLIDES

## ZAPPHYRE FULL EXTENSION DRAWER SLIDES

### ► ZFE Bottom-Mount

Features &  
Benefits for  
**Peace of  
Mind**



#### Value for money

- Full extension runners for bottom-mounting
- Cold-rolled steel for high precision running properties.
- 1.2 / 1.2 / 1.5mm strong.
- Quiet-running ball-bearing cage assembly.
- Front-mounted disconnect lever for easy drawer removal.

#### Reliable quality

- 50,000 open/close cycle durability test
- 48 hour salt spray corrosion testing
- 45kg load rating.



# DRAWER SLIDES

## ZAPPHYRE FULL EXTENSION DRAWER SLIDES

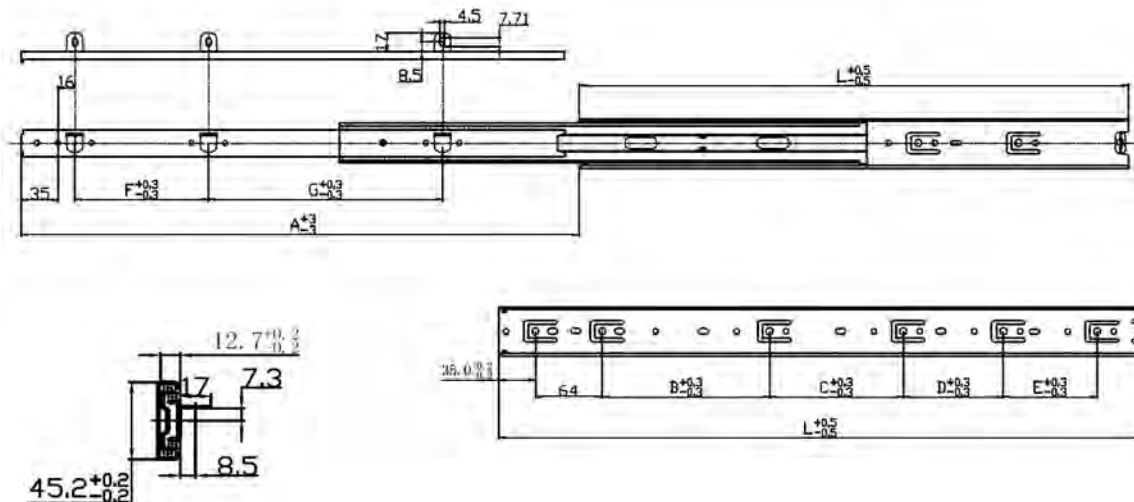
CODE	DESCRIPTION	PACKAGING
<b>ZFE.BM400.ZC</b>	Bottom-mount full extension (zinc), NL400	10 pairs / carton
<b>ZFE.BM450.ZC</b>	Bottom-mount full extension (zinc), NL450	10 pairs / carton
<b>ZFE.BM500.ZC</b>	Bottom-mount full extension (zinc), NL500	10 pairs / carton

\* Also available in other lengths or black as indent / special order with additional lead times and MOQ = 510 pairs per SKU



### ► Installation Information

All dimensions in millimetres



SIZE	SLIDE LENGTH	A	B	C	D	E	F	G	L
<b>10" (250)</b>	250	250	96				160		250
<b>12" (300)</b>	300	300	160				96	128	300
<b>14" (350)</b>	350	350	160				128	128	350
<b>16" (400)</b>	400	400	160	96			128	160	400
<b>18" (450)</b>	450	450	160	128			160	192	450
<b>20" (500)</b>	500	500	160	128			192	192	500
<b>22" (550)</b>	550	550	160	128	96		224	224	550

# DRAWER SLIDES

## ROLLER SLIDES

### ► Single Extension Roller Slides

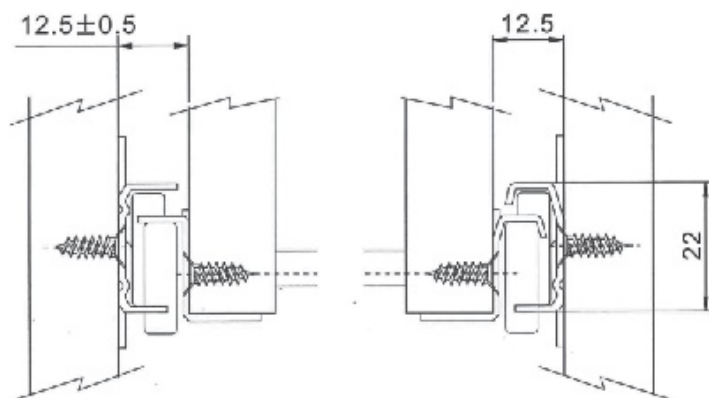
- Single extension slides with nylon rollers
- 25kg load rating
- Bottom mounting
- Installation width 12.5mm
- Self-closing.



CODE	DESCRIPTION	PACKAGING
<b>54A8201250</b>	Roller runners, white NL250	20 pairs / carton
<b>54A8201300</b>	Roller runners, white NL300	20 pairs / carton
<b>54A8201350</b>	Roller runners, white NL350	20 pairs / carton
<b>54A8201400</b>	Roller runners, white NL400	20 pairs / carton
<b>54A8201450</b>	Roller runners, white NL450	20 pairs / carton
<b>54A8201500</b>	Roller runners, white NL500	20 pairs / carton
<b>54A8201550</b>	Roller runners, white NL550	20 pairs / carton
<b>54A8201600</b>	Roller runners, white NL600	20 pairs / carton

CODE	DESCRIPTION	PACKAGING
<b>54A8203250</b>	Roller runners, black NL250	20 pairs / carton
<b>54A8203300</b>	Roller runners, black NL300	20 pairs / carton
<b>54A8203350</b>	Roller runners, black NL350	20 pairs / carton
<b>54A8203400</b>	Roller runners, black NL400	20 pairs / carton
<b>54A8203450</b>	Roller runners, black NL450	20 pairs / carton
<b>54A8203500</b>	Roller runners, black NL500	20 pairs / carton

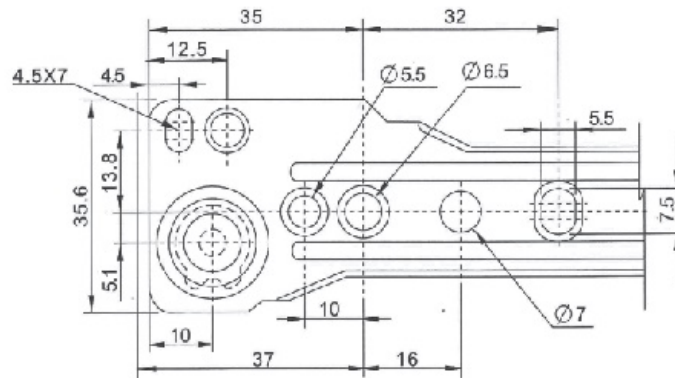
### ► Mounting Profile



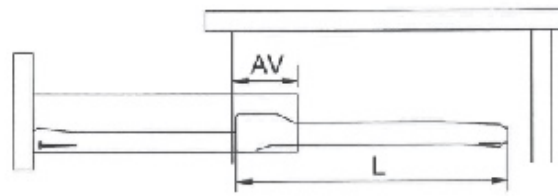
# DRAWER SLIDES

ROLLER SLIDES

## ► Mounting Positions

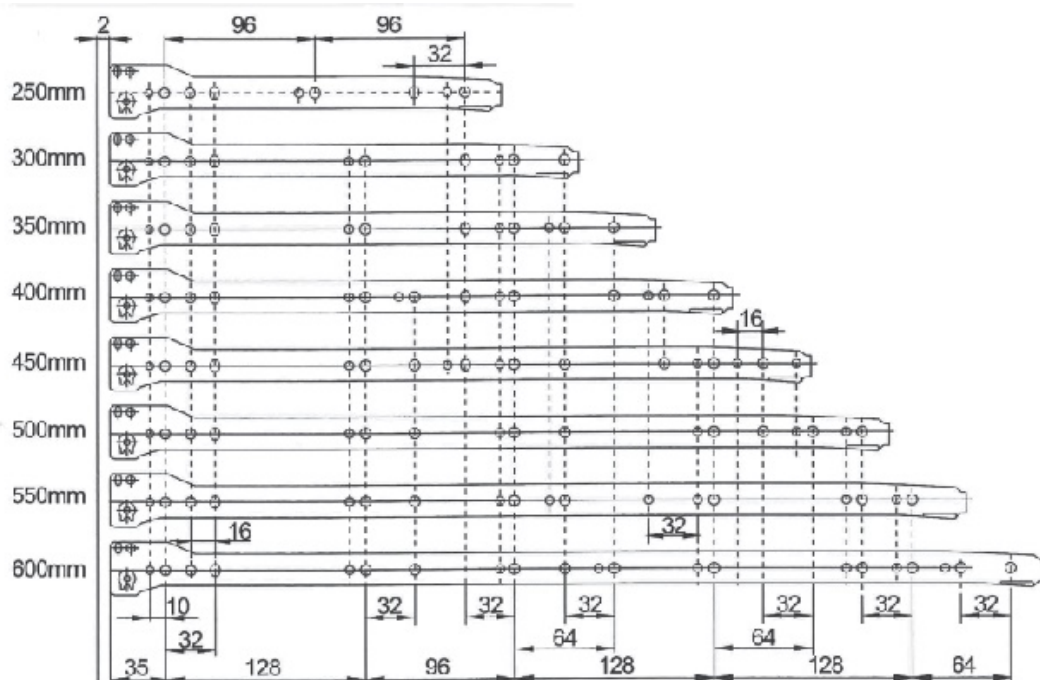


## ► Extension Loss



L	250	300	350	400	450	500	550	600
AV	87	87	87	97	97	97	117	117

## ► Dimensions



# DRAWER SLIDES

## TOPAZ CONCEALED UNDERMOUNT DRAWER SLIDES

### ► TUM Adjustable Soft-Close

## Features & Benefits for Peace of Mind



#### Value for money

- Three piece full extension soft-close drawer slide
- Designed for concealed undermount installation, perfect for wooden drawers
- Synchronised for wide drawer installations
- Click-on front fixing device for fast & simple removal of the drawer
- 3D fine adjustment to align drawer fronts using easily accessible wheels

#### Adjustable soft-close

- Damped soft-close feature, with adjustable opening and closing strength
- Can be increased by +25% for heavy drawers

#### Reliable quality

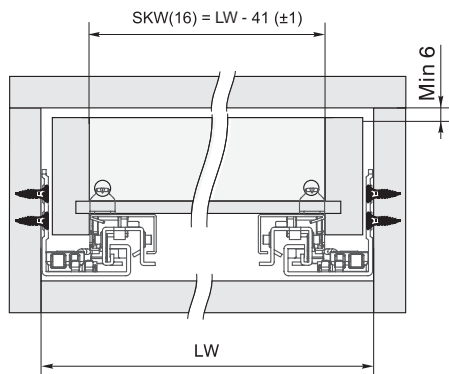
- 50,000 open/close cycle durability test
- 30kg load rating

CODE	DESCRIPTION	PACKAGING
<b>TUM.SC300.ZC</b>	Concealed undermount soft-close, NL300	10 sets / carton
<b>TUM.SC350.ZC</b>	Concealed undermount soft-close, NL350	10 sets / carton
<b>TUM.SC400.ZC</b>	Concealed undermount soft-close, NL400	10 sets / carton
<b>TUM.SC450.ZC</b>	Concealed undermount soft-close, NL450	10 sets / carton
<b>TUM.SC500.ZC</b>	Concealed undermount soft-close, NL500	10 sets / carton
<b>TUM.SC550.ZC</b>	Concealed undermount soft-close, NL550	10 sets / carton

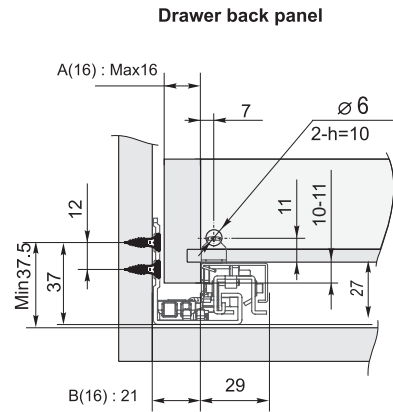
# DRAWER SLIDES

## TOPAZ CONCEALED UNDERMOUNT DRAWER SLIDES

### Installation Dimensions



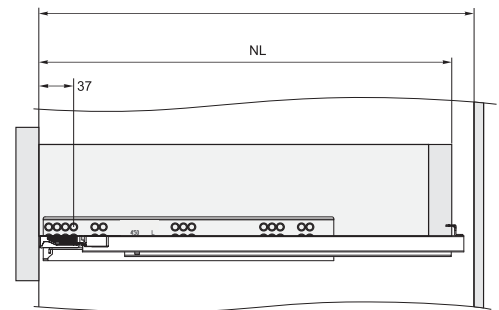
**LW** - Cabinet inner width  
**SKW(16)** - Drawer inner width (≤16mm drawer side panel thickness)



**A(16)** - Max drawer side panel thickness 16mm  
**B(16)**

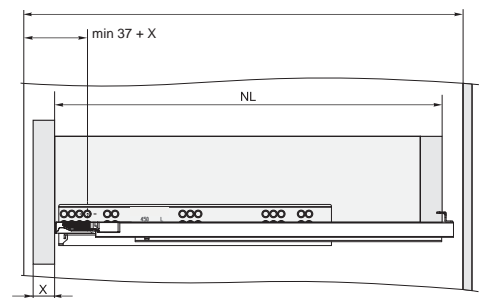
### Standard drawer

$$LT_{min} = NL + 13$$

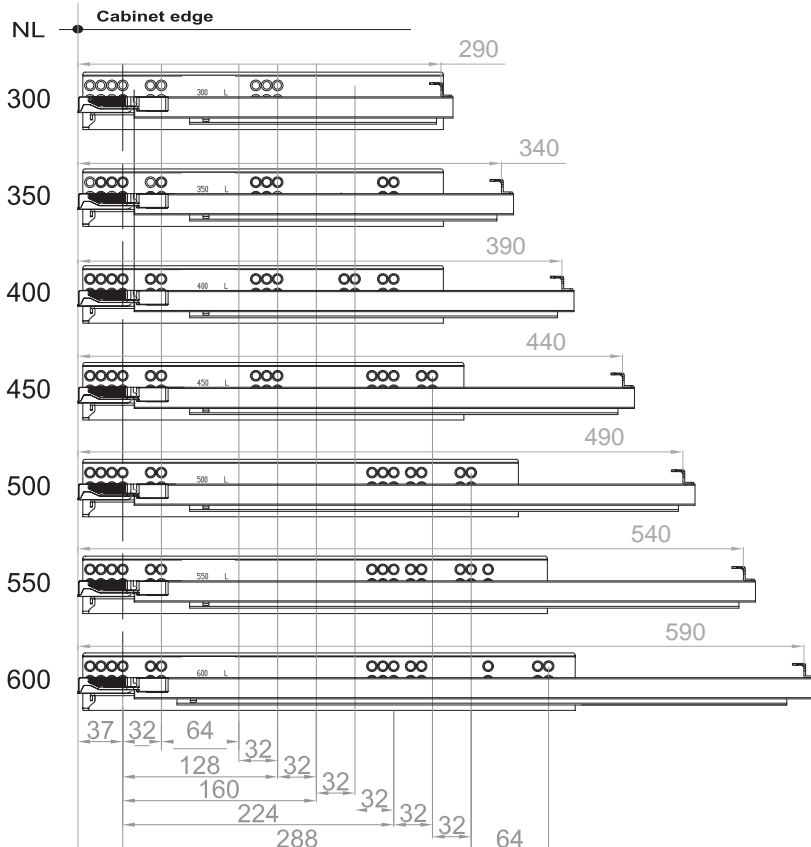


### Built-in / inner drawer

$$LT_{min} = NL + X + 13$$



**LT** - Cabinet inner depth  
**NL** - Nominal slide length



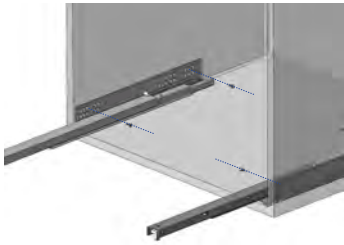
All dimensions in millimeters

# DRAWER SLIDES

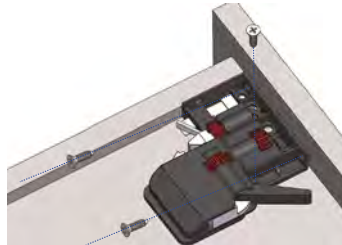
## TOPAZ CONCEALED UNDERMOUNT DRAWER SLIDES

### ► Installation Guide

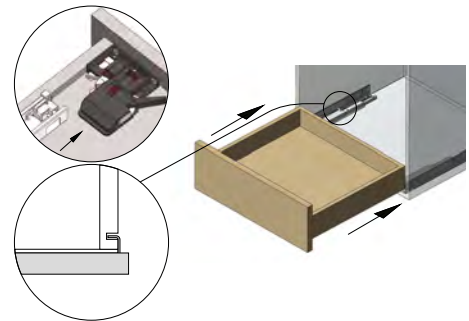
1. Install the slides in the cabinet



2. Install left/ right clips to the front of the drawer (underneath)

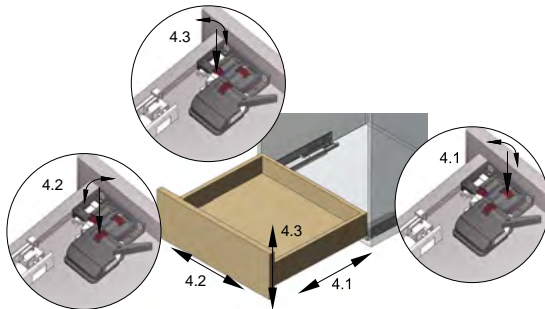


3. Mount the drawer on the slides - the slides hook into the pre-drilled holes on the drawer back panel



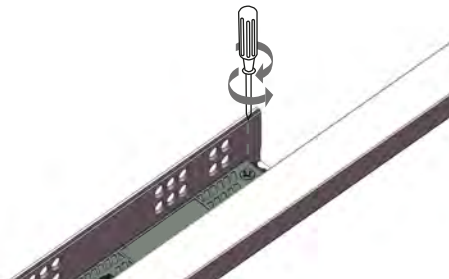
4. Adjust the drawer front alignment with the wheels on the clips

- 4.1 Front and back adjustment  $\pm 2$ mm.
- 4.2 Left and right adjustment  $\pm 2$ mm.
- 4.3 Up and down adjustment +3mm.

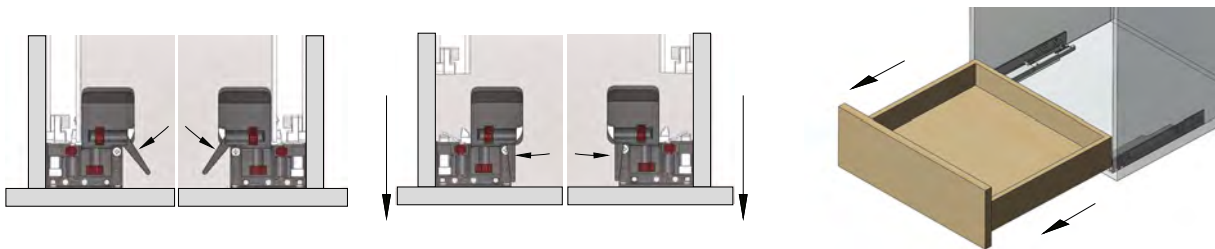


5. Adjust the opening and closing mechanism (as needed):

For drawer loads of more than 20kg, and to ensure a smooth movement, the opening and closing strength can be increased by +25% by adjusting the the eccentric screw on the damper .



6. To remove the drawer, push the lever on the clip to unlock the drawer from the slide.



All dimensions in millimeters

# DRAWER SLIDES

INDEX PART NUMBERS

Part Number	Page
54A8201250 .....	16
54A8201300 .....	16
54A8201350 .....	16
54A8201400 .....	16
54A8201450 .....	16
54A8201500 .....	16
54A8201550 .....	16
54A8201600 .....	16
54A8203250 .....	16
54A8203300 .....	16
54A8203350 .....	16
54A8203400 .....	16
54A8203450 .....	16
54A8203500 .....	16
4560X300ZP-1 .....	6
4560X350ZP-1 .....	6
4560X400ZP-1 .....	6
4560X450ZP-1 .....	6
4560X500ZP-1 .....	6
4560X550ZP-1 .....	6
4561X350BLK-2 .....	8
4561X400BLK-2 .....	8
4561X500ZP-1 .....	8
A270X300ZP-1 .....	2
A270X350ZP-1 .....	2
A270X400ZP-1 .....	2
A270X450BLK-2 .....	2
A270X450ZP-1 .....	2
A270X500ZP-1 .....	2
A270X550ZP-1 .....	2
A270X600ZP-1 .....	2
A270X700ZP-1 .....	2
A271X350ZP-1 .....	4
A271X400ZP-1 .....	4
A271X450ZP-1 .....	4
A271X500ZP-1 .....	4
A271X550ZP-1 .....	4
TUM.SC300.ZC .....	18
TUM.SC350.ZC .....	18
TUM.SC400.ZC .....	18
TUM.SC450.ZC .....	18
TUM.SC500.ZC .....	18
TUM.SC550.ZC .....	18
ZFE.BM400.ZC .....	15
ZFE.BM450.ZC .....	15
ZFE.BM500.ZC .....	15
ZFE.SM250.ZC .....	12
ZFE.SM300.ZC .....	12
ZFE.SM350.BL .....	13
ZFE.SM400.BL .....	13
ZFE.SM400.ZC .....	12
ZFE.SM450.BL .....	13
ZFE.SM450.ZC .....	12
ZFE.SM500.BL .....	13
ZFE.SM500.ZC .....	12
ZFE.SM550.ZC .....	12
ZSC.SM250.ZC .....	11
ZSC.SM300.ZC .....	11
ZSC.SM350.ZC .....	11
ZSC.SM400.ZC .....	11
ZSC.SM450.ZC .....	11
ZSC.SM500.ZC .....	11
ZSC.SM550.ZC .....	11



**CABINET HARDWARE SYSTEMS**

## **DRAWER SLIDES**

# Version 2.0

### **Australia**

**1800 008 591** □ [www.artia.com.au](http://www.artia.com.au)

**VICTORIA:**

235 Settlement Road,  
Thomastown VIC 3074

**NEW SOUTH WALES:**

Unit 1/429 Victoria Street,  
Wetherill Park NSW 2164

**QUEENSLAND:**

Building 2/660 MacArthur  
Avenue, Pinkenba QLD 4008

**SOUTH AUSTRALIA:**

13 Rosberg Road,  
Wingfield SA 5013

**WESTERN AUSTRALIA:**

Unit 1B/15 Hector Street,  
Osborne Park WA 6017

### **New Zealand**

**0800 267 625** □ [www.artia.co.nz](http://www.artia.co.nz)

**AUCKLAND:**

11 Bruce Roderick Drive,  
East Tamaki, Auckland 2013

**CHRISTCHURCH:**

117 Wrights Road,  
Addington, Christchurch 8024