



# CABINET HARDWARE SYSTEMS

## TOILET PARTITION HARDWARE

# #TPH

### Australia

1800 008 591 ■ [www.artia.com.au](http://www.artia.com.au)

**VICTORIA:**

235 Settlement Road,  
Thomastown VIC 3074

**NEW SOUTH WALES:**

6 Nello Place  
Wetherill Park NSW 2164

**QUEENSLAND:**

Building 2/660 MacArthur  
Avenue, Pinkenba QLD 4008

**SOUTH AUSTRALIA:**

13 Rosberg Road,  
Wingfield SA 5013

**WESTERN AUSTRALIA:**

Unit 5/1 Dellamarta Road,  
Wangara WA 6065

### New Zealand

0800 267 625 ■ [www.artia.co.nz](http://www.artia.co.nz)

**AUCKLAND:**

11 Bruce Roderick Drive,  
East Tamaki, Auckland 2013

**CHRISTCHURCH:**

117 Wrights Road,  
Addington, Christchurch 8024

# TOILET PARTITION HARDWARE

## CONTENTS

▪ <b>Metlam TOILET PARTITION KITS</b> .....	<b>03</b>
▪ "MODA" – Satin Chrome-Plated .....	03
▪ "MODA" – Designer Black .....	03
▪ "106" – Satin Chrome-Plated .....	04
▪ Spring Hinge "MODA" .....	04
▪ <b>Metlam TOILET PARTITION HINGES</b> .....	<b>05</b>
▪ Stainless Steel Spring Hinge .....	05
▪ Gravity Hinge "106" .....	05
▪ <b>Metlam TOILET PARTITION LOCKS</b> .....	<b>06</b>
▪ Toilet Partition Lock "MODA" .....	06
▪ Toilet Partition Lock "EASY FIT" .....	06
▪ Toilet Partition Lock "200" .....	07
▪ "Z" Lift-Off Staple .....	07
▪ <b>Metlam TOILET PARTITION BUMPERS</b> .....	<b>07</b>
▪ Toilet Partition Bumper "MODA" .....	07
▪ Toilet Partition Bumper "107" .....	07
▪ <b>Metlam TOILET ROLL HOLDER</b> .....	<b>08</b>
▪ Toilet Roll Holder "113" .....	08
▪ <b>Metlam TOILET PARTITION HOOKS</b> .....	<b>08</b>
▪ Hat & Coat Hook "MODA" .....	08
▪ Hat & Coat Hook "202" .....	08
▪ <b>Metlam TOILET PARTITION LEGS</b> .....	<b>09</b>
▪ Toilet Partition Leg "112" .....	09
▪ Toilet Partition Leg Bracket "122" .....	09
▪ Toilet Partition Leg "110" .....	09
▪ Toilet Partition Leg "120" .....	10
▪ <b>Metlam CHANNELS &amp; INSERTS</b> .....	<b>10</b>
▪ Toilet Partition Channels & Inserts – 18mm Board .....	10
▪ Toilet Partition Channels & Inserts – 13mm Compact Laminate Board .....	10
▪ Toilet Partition Channels & Inserts – Designer Black .....	11
▪ <b>Metlam INSTALLATION ACCESSORIES</b> .....	<b>11</b>
▪ Assembly Fittings – Acorn / D-nuts .....	11
▪ Assembly Fittings – Allthreads .....	11
▪ <b>Metlam INSTALLATION ACCESSORIES</b> .....	<b>12</b>
▪ Gravity Hinge Faceplates .....	12
▪ Corner Bracket .....	12
▪ Stainless Steel Hinge Faceplates .....	12
▪ <b>Metlam AMBULANT COMPLIANCE</b> .....	<b>12</b>
▪ Signage .....	12
▪ Grab rail .....	13
▪ Grab rail fixing plates .....	13
▪ D-Handle .....	13

# TOILET PARTITION HARDWARE

METLAM TOILET PARTITION KITS



## ▶ "MODA" – Satin Chrome-Plated

- Premium toilet partition hardware for a design edge in the wash-room
  - Complete kit
  - Perfectly matching hardware components
  - Concealed screw-fix – no visible fixings
  - Suitable for a range of material thickness
- Supplied with "Moda" Spring Hinges
  - Handed, please select according to requirements
  - Reversible on-site for 'hold open' or 'hold closed'
  - Spring tension adjustable from 'no tension' to 'fully tensioned' (six steps)
  - Surface mounted screw-fix (fixings not supplied)
  - For optimum performance allow 15kg door weight per hinge
    - Two hinges for doors <30kg
    - For doors >30kg allow 15kg per hinge
    - Additional hinges available to order (776\_MODAHINGE) refer Page 4
- The "Moda" kit includes:
  - 1 x pair "Moda" spring hinges
  - 1 x "Moda" door bumper
  - 1 x "Moda" lock set (incl. slide bolt, lift-off staple, square indicator)
  - 1 x "Moda" coat hook
- Satin chrome-plated finish



Code	Handing
<b>776_MODAKIT_A_SCP</b>	iLH/oRH - LH viewed from the inside, RH viewed from the outside
<b>776_MODAKIT_B_SCP</b>	iRH/oLH - RH viewed from the inside, LH viewed from the outside

## ▶ "MODA" – Designer Black



- Premium toilet partition hardware for a design edge in the washroom
  - Complete kit
  - Perfectly matching hardware components
  - Concealed screw-fix – no visible fixings
  - Suitable for a range of material thickness
- Supplied with "Moda" Spring Hinges
  - Handed, please select according to requirements
  - Reversible on-site for 'hold open' or 'hold closed'
  - Spring tension adjustable from 'no tension' to 'fully tensioned' (six steps)
  - Surface mounted screw-fix (fixings not supplied)
  - For optimum performance allow 15kg door weight per hinge
    - Two hinges for doors <30kg
    - For doors >30kg allow 15kg per hinge
    - Additional hinges available to order (776\_MODAHINGE) Refer page 4
- The "Moda" kit includes:
  - 1 x pair "Moda" spring hinges
  - 1 x "Moda" door bumper
  - 1 x "Moda" lock set (incl. slide bolt, lift-off staple, square indicator)
  - 1 x "Moda" coat hook
- Designer black



Code	Handing
<b>776_MODAKIT_A_BLK</b>	iLH/oRH - LH viewed from the inside, RH viewed from the outside
<b>776_MODAKIT_B_BLK</b>	iRH/oLH - RH viewed from the inside, LH viewed from the outside

# TOILET PARTITION HARDWARE

## METLAM TOILET PARTITION KITS

### ► "106" – Satin Chrome-Plated



- Economy toilet partition hardware
  - Complete kit, ideal for renovations
  - Suitable for a range of material thickness
- Supplied with Gravity Hinges
  - Please select acc. to requirements
    - Handing
    - 'Hold open' or 'hold closed'
  - Supplied as screw-fix for ease of installation (fixings not included)
  - Convertible for bolt-through with optional Allthread and D-nuts (order separately)
  - For optimum performance allow 15kg door weight per hinge
    - Two hinges for doors <30kg
    - For doors >30kg allow 15kg per hinge
    - Additional hinges available to order (776037\_1 / 776038\_1 / 776039\_1 / 776040\_1)
- Set includes:
  - 1 x pair "106" gravity hinges
  - 1 x door bumper
  - 1 x EasyFit lock (incl. turndial, lift-off staple, round indicator)
  - 1 x coat hook
- Satin chrome-plated finish



Code	Handing	Hold
776245_1	iRH/oLH - RH viewed from the inside, LH viewed from the outside	open
776250_1	iLH/oRH - LH viewed from the inside, RH viewed from the outside	open
776255_1 ^	iRH/oLH - RH viewed from the inside, LH viewed from the outside	closed
776260_1 ^	iLH/oRH - LH viewed from the inside, RH viewed from the outside	closed

**GRAVITY HINGES** have no mechanical components and therefore assist the door to move to Hold Open or Hold Closed Position. Hinge speed cannot be adjusted.

^ not stocked, available as special buy-in (longer lead times may apply)

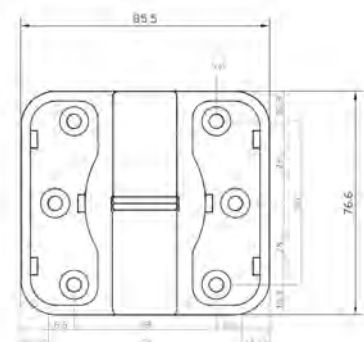
### ► Spring Hinge "MODA"



- Supplied as single hinge ("each")
- Please select handing acc. to requirements
- Reversible on-site for 'hold open' or 'hold closed'
- Spring tension adjustable from 'no tension' to 'fully tensioned' (six steps)
- Surface mounted concealed screw-fix (fixings not supplied)
- For optimum performance allow 15kg door weight per hinge
  - Two hinges for doors <30kg
  - For doors >30kg allow 15kg per hinge



Code	Handing	Finish
776_MODAHINGE_A_SCP	iLH/oRH - LH viewed from the inside, RH viewed from the outside	Satin chrome-plated
776_MODAHINGE_B_SCP	iRH/oLH - RH viewed from the inside, LH viewed from the outside	Satin chrome-plated
776_MODAHINGE_A_BLK	iLH/oRH - LH viewed from the inside, RH viewed from the outside	Designer black
776_MODAHINGE_B_BLK	iRH/oLH - RH viewed from the inside, LH viewed from the outside	Designer black



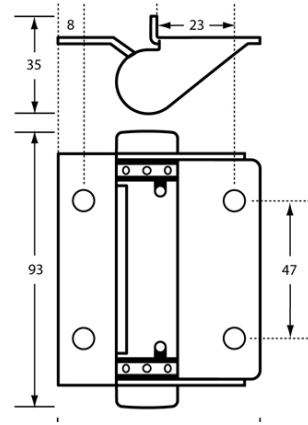
# TOILET PARTITION HARDWARE

## METLAM TOILET PARTITION HINGES

### ▶ Stainless Steel Spring Hinge



- Heavy duty hinge for heavy doors
- Please select
  - 'Hold open' or 'hold closed' acc. to requirements
- Spring assisted, adjustable
- Supplied as single hinge ("each")
- Suitable for
  - Screw-fix (fixings not supplied, Metlam recommend 10 gauge / 4.8mm x 13mm or 19mm, dep. on material)
  - Bolt-through (order Allthread and D-nuts as required)
- For optimum performance allow 20kg door weight per hinge
  - Two hinges for doors <40kg
  - For doors >40kg allow 40kg per hinge
- Screw recommendation

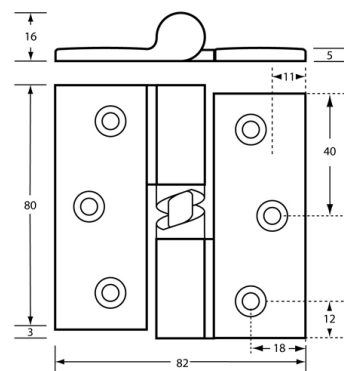


Code	Handing	Hold	Supplied
776305_1	iRH/oLH - RH viewed from the inside, LH viewed from the outside	open	each
776310_1	iLH/oRH - LH viewed from the inside, RH viewed from the outside	open	each

### ▶ Gravity Hinge "106"



- Supplied as
  - Individual hinge ("each")
  - Screw-fix for ease of installation (fixings not included, Metlam recommend 10 gauge / 4.8mm x 13mm or 19mm, dep. on material)
- Convertible for bolt-through with optional Allthread and D-nuts (use own fixings, 776x Allthreads not suitable)
- For optimum performance allow 15kg door weight per hinge
- Please select acc. to requirements
  - Handing
  - 'Hold open' or 'hold closed'



Code	Handing	Hold
776037_1	iLH/oRH - LH viewed from the inside, RH viewed from the outside	open
776038_1	iRH/oLH - RH viewed from the inside, LH viewed from the outside	open
776039_1	iLH/oRH - LH viewed from the inside, RH viewed from the outside	closed
776040_1	iRH/oLH - RH viewed from the inside, LH viewed from the outside	closed

# TOILET PARTITION HARDWARE

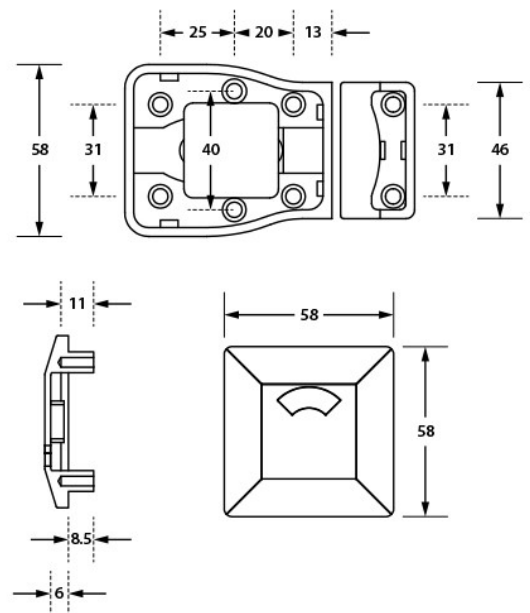
## METLAM TOILET PARTITION LOCKS

### ► Toilet Partition Lock "MODA"



- Set consisting of
  - Easy-glide slide lock, to support use with restricted hand mobility or limb loss. Improved hygiene protection.
  - Matching lift-off staple
  - Square indicator with large eyelet
- Surface mounted with concealed screw-fix
  - "No backing plate" design for on-door adjustment to ensure smooth fit
- "Emergency release" version available as special order
  - For easier emergency access from the outside without needing to lift off the door

Code	Type	Finish
<b>776_MODALOCK_SCP</b>	Standard	Satin chrome-plated
<b>776_MODALOCK_BLK</b>	Standard	Designer black
<b>776_MODALOCK_ER_SCP</b> ^	Emergency release	Satin chrome-plated
<b>776_MODALOCK_ER_BLK</b> ^	Emergency release	Designer black



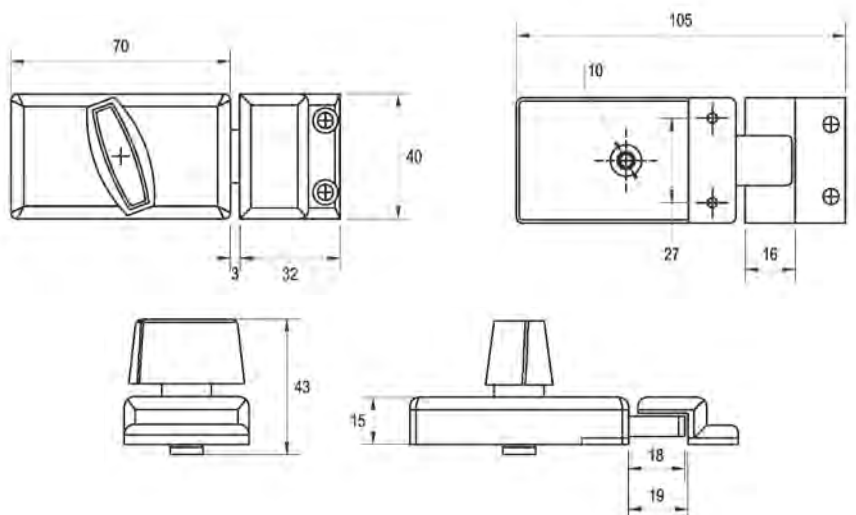
^ not stocked, available as special buy-in (longer lead times may apply)

### ► Toilet Partition Lock "EASY FIT"



- Contemporary design with simple lock installation
- Can be installed to door with and without channel edging
- Set consisting of
  - Turn bolt on rectangular plate
  - Matching lift-off staple
  - Round indicator with large eyelet
- Partially concealed screw-fix

Code	Finish
<b>776_EASYFITLOCK_SCP</b>	Satin chrome-plated



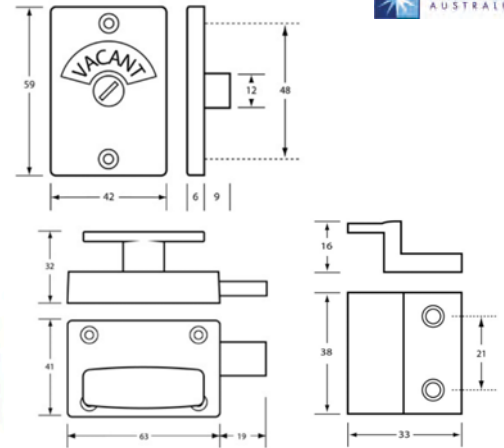
# TOILET PARTITION HARDWARE

## METLAM TOILET PARTITION LOCKS

### ► Toilet Partition Lock "200"

- Set consisting of
  - Turn bolt on rectangular plate
  - Lift-off staple
  - Rectangular indicator with clear text
- Screw-fix (exposed)

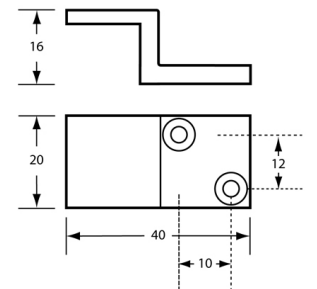
Code	Finish
776052_1	Satin chrome-plated



### ► "Z" Lift-Off Staple

- For safety compliance, to update existing toilet partitions to lift-off doors
  - Works in conjunction with gravity hinges
- Screw-fix
- Satin chrome-plated

Code	Width	Height	Finish
776049 ^	40	20	Satin chrome-plated



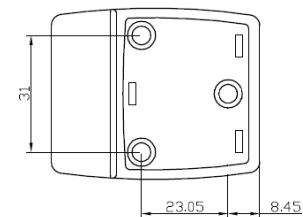
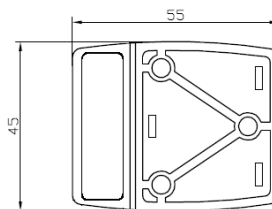
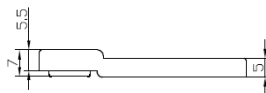
^ not stocked, available as special buy-in (longer lead times may apply)

## METLAM TOILET PARTITION BUMPERS

### ► Toilet Partition Bumper "MODA"

- Perfectly matching "MODA" toilet partition hardware
- Rubber insert to cushion door
- Concealed screw-fix

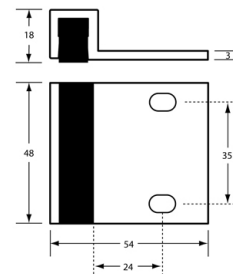
Code	Finish
776_MODABUMPER_SCP	Satin chrome-plated
776_MODABUMPER_BLK	Designer black



### ► Toilet Partition Bumper "107"

- Rubber insert to cushion door
- Exposed screw-fix

Code	Finish
776059_SF	Satin chrome-plated



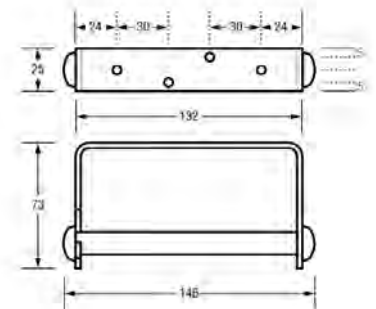
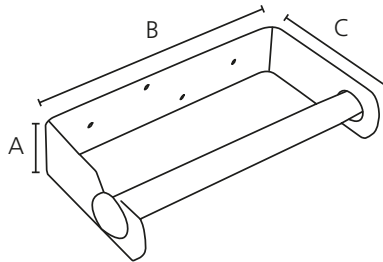
# TOILET PARTITION HARDWARE

## METLAM TOILET ROLL HOLDER

### ► Toilet Roll Holder "113"

- 304-grade stainless steel
- Economical, simple design
- Brushed stainless steel finish
- Screw-fix

Code	A	B	C
<b>776069</b>	25	135	70

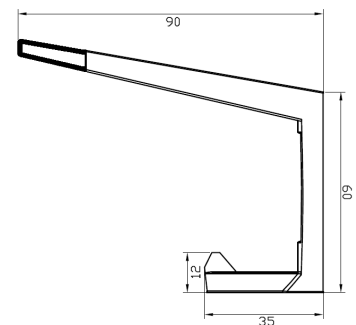
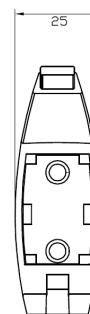


## METLAM TOILET PARTITION HOOKS

### ► Hat & Coat Hook "MODA"

- Concealed screw-fix (supplied without fixings)
- Load capacity 8kg
- Recommended clearance to other fixtures 150mm
- Rubber bumper to protects walls or partition surfaces from being damaged
- Suitable for installations in ambulant bathrooms

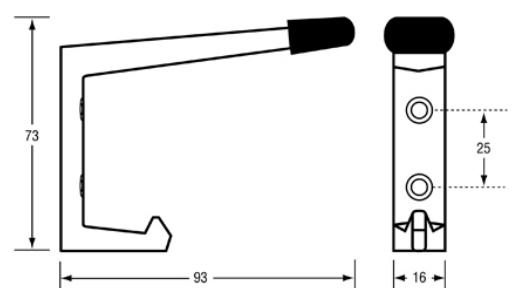
Code	Finish
<b>776_MODAHOOK_SCP</b>	Satin chrome-plated
<b>776_MODAHOOK_BLK</b>	Designer black



### ► Hat & Coat Hook "202"

- Screw-fix (supplied without fixings)
- Load capacity 8kg
- Recommended clearance to other fixtures 150mm
- Rubber bumper to protects walls or partition surfaces from being damaged
- Suitable for installations in ambulant bathrooms

Code	Finish
<b>776043</b>	Satin chrome-plated





# TOILET PARTITION HARDWARE

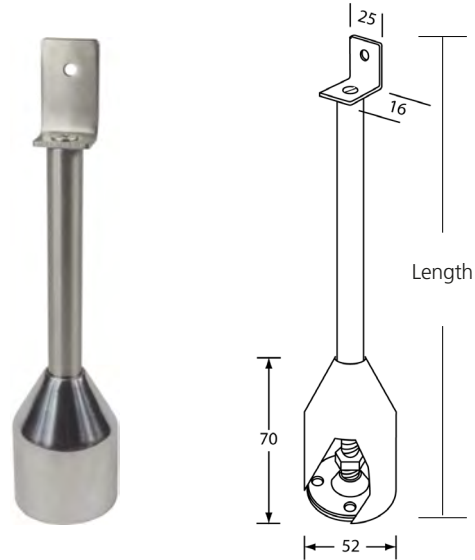
## METLAM TOILET PARTITION LEGS

### ▶ Toilet Partition Leg "112"



- To create off-floor toilet partitions
- Angle support bracket
- Designed for 18mm board
- 200mm long with 35mm adjustment
- 304-grade stainless steel

Code	Length	Adjustment
<b>776136</b>	200mm	50mm (175-225mm)

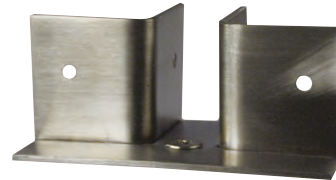


### ▶ Toilet Partition Leg Bracket "122"



- T-piece foot bracket
- For use with 776136, to join centre partitions (replacing standard bracket)
- 304-grade stainless steel
- Designed for 18mm board

Code	Finish	Adjustment
<b>776103</b>	Stainless steel	35mm

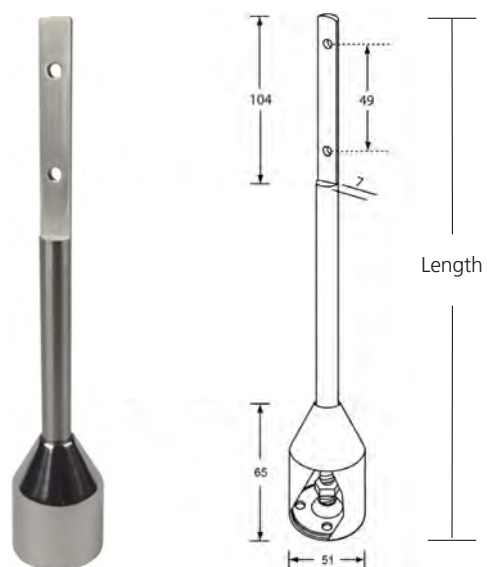


### ▶ Toilet Partition Leg "110"



- To create off-floor toilet partitions
- Rebated shaft
- 200mm long with 35mm adjustment
- Suitable for 18mm board or 13mm compact laminate
- 304-grade stainless steel
- For screw-fix or bolt-through (fixings not supplied)

Code	Length	Adjustment
<b>776138</b>	200mm	35mm (182-217mm)



# TOILET PARTITION HARDWARE

## METLAM TOILET PARTITION LEGS

### ▶ Toilet Partition Leg "120"

- Heavy-duty full aluminium
- To create off-floor toilet partitions
- Rebated shaft
- 200mm long with 39mm adjustment (min 186mm, max 225mm)
- Suitable for 18mm board or 13mm compact laminate (screw fixings included)
- Natural anodised finish

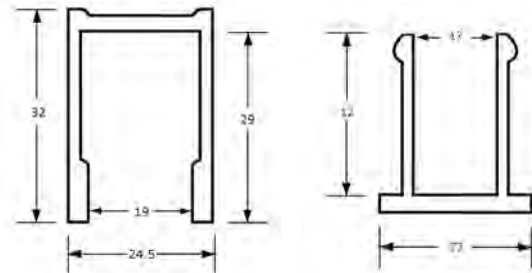
Code	Length	Adjustment
<b>776_120_200_ALU</b>	200mm	39mm (186-225mm)
<b>776_120_200_BLK</b>	200mm	39mm (186-225mm)



## METLAM CHANNELS & INSERTS

### ▶ Toilet Partition Channels & Inserts – 18mm Board

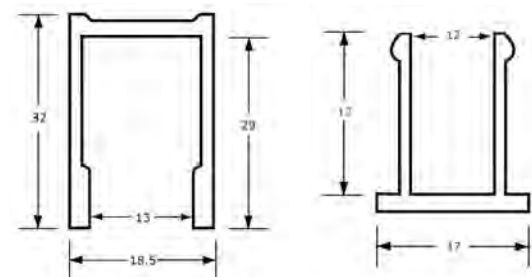
- Anodised aluminium sections for panel ends
- For 18mm board
- Channel
  - U-shape to join panel sections
  - Available in two lengths (1,800mm and 3,600mm)
- Insert
  - To finish off exposed channel above a door
- Satin aluminium finish



Code	Type	Width	Length	Finish
<b>776_WACH18_18</b>	Channel	18mm	1,800mm	Aluminium anodised
<b>776_WACH18_36</b>	Channel	18mm	3,600mm	Aluminium anodised
<b>776_WAINS18_27</b>	Insert	18mm	2,700mm	Aluminium anodised

### ▶ Toilet Partition Channels & Inserts – 13mm Compact Laminate Board

- Anodised aluminium sections for panel ends
- For 13mm compact laminate board
- Channel
  - U-shape to join panel sections
  - Available in two lengths (1,800mm and 3,600mm)
- Insert
  - To finish off exposed channel above a door
- Satin aluminium finish



Code	Type	Width	Length	Finish
<b>776_WACH13_18</b>	Channel	13mm	1,800mm	Aluminium anodised
<b>776_WACH13_36</b>	Channel	13mm	3,600mm	Aluminium anodised
<b>776_WAINS13_27</b>	Insert	13mm	2,700mm	Aluminium anodised

# TOILET PARTITION HARDWARE

METLAM CHANNELS & INSERTS

## ► Toilet Partition Channels & Inserts – Designer Black



- Black aluminium sections for panel ends
- For both 18mm standard and 13mm compact laminate board
- Channel
  - U-shape to join panel sections
  - Available in two lengths (1,800mm and 3,600mm)
- Insert
  - To finish off exposed channel above a door
  - Available for 18mm standard board or 18mm compact laminate board
- Designer black

Code	Type	Width	Length	Finish
<b>776_UNICH_36_BLK</b>	Channel	13mm & 18mm	1,800mm	Designer black
<b>776_WAINS13_27_BLK</b>	Insert	13mm	2,700mm	Designer black
<b>776_WAINS18_27_BLK</b>	Insert	18mm	2,700mm	Designer black



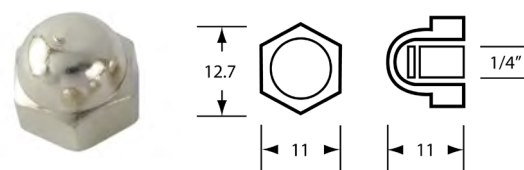
METLAM INSTALLATION ACCESSORIES

## ► Assembly Fittings – Acorn / D-nuts



- 1/4" BSW thread
- For use with Allthreads and stainless steel face plates for bolt-through fixings
- Satin chrome finish
- Supplied as pack of 20

Code	A	B	Pack Size
<b>776108_20</b>	60	45	20

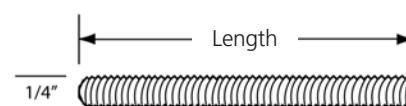


## ► Assembly Fittings – Allthreads



- Allthreads – 1/4" thread
- For use with acorn d-nuts and stainless steel face plates for bolt-through fixings
- Available in three sizes ex stock to suit different applications
  - 35mm suits 18mm board
  - 38mm suits 18mm with gravity hinges
  - 50mm suits 33mm board
- Supplied as pack of 10

Code	Thread	Length	Pack Size
<b>776110_10</b>	1/4"	35mm	10
<b>776111_10</b>	1/4"	38mm	10
<b>776112_10</b> ^	1/4"	45mm	10
<b>776113_10</b> ^	1/4"	50mm	10



^ not stocked, available as special buy-in (longer lead times may apply)

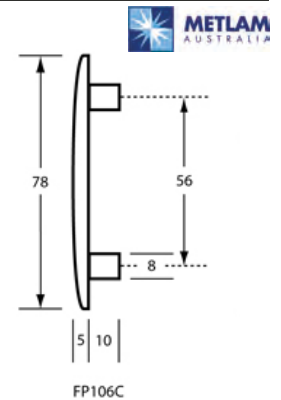
# TOILET PARTITION HARDWARE

## METLAM INSTALLATION ACCESSORIES

### ► Gravity Hinge Faceplates

- M5 threaded holes, for use with Allthread
- For bolt-through fixing one of "106" gravity hinge
- 304 grade stainless steel, satin finish
- Supplied as set of two for one hinge

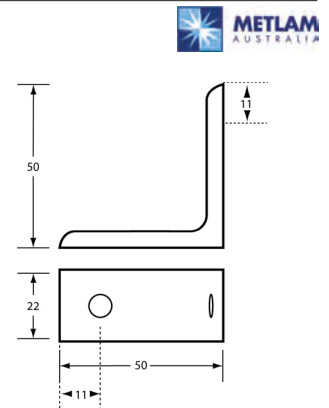
Code	Finish	Packaging
<b>776_FACEPLATE_106C_SCP</b>	Satin chrome-plated	Set of two for one hinge



### ► Corner Bracket

- Heavy duty, provides additional strength to corners
- Aluminium anodised

Code	A	B	C
<b>776066-AL</b>	50mm	50mm	22mm



### ► Stainless Steel Hinge Faceplates

- M5 threaded holes, for use with Allthread
- For bolt-through fixing of "106" gravity or "209" stainless steel spring hinges
- 304-grade stainless steel, satin finish
- Supplied as set of four for two hinges

Code	Finish	Packaging
<b>776_FACEPLATE_SS</b>	Stainless Steel	Set of four for two hinges



## METLAM AMBULANT COMPLIANCE

### ► Signage

- ABS plastic signs for toilet partition doors
- White infill on blue background for maximum visibility and contrast
- Braille indentation for the vision impaired
- Helps with compliance to AUS standard AS1428.1 for ambulant toilets
  - To provide people with disabilities access to sanitary facilities
- Available as BUYIN with extended lead times



Code	Description	Width	Height	Finish
<b>776_ML96246_BLU ^</b>	"Male Ambulant Toilet"	180mm	180mm	Blue with white infill
<b>776_ML96266_BLU ^</b>	"Female Ambulant Toilet"	180mm	180mm	Blue with white infill
<b>776_ML96304_BLU ^</b>	"Unisex Ambulant Toilet"	210mm	180mm	Blue with white infill

^ not stocked, available as special buy-in (longer lead times may apply)

# TOILET PARTITION HARDWARE

METLAM AMBULANT COMPLIANCE

## Grab rail

- Satin stainless-steel grab rail
- 304-grade stainless steel
- Suitable for right-hand or left-hand side installation, 90° bend
- Concealed fix = 78mm diameter twist lock flange covers
- Optional partition fixing plate 776\_MLRBT\_FXPLATE for bolt-through installation
- Helps with compliance to AUS standard AS1428.1 for ambulant / accessible toilets
  - To provide people with disabilities access to sanitary facilities

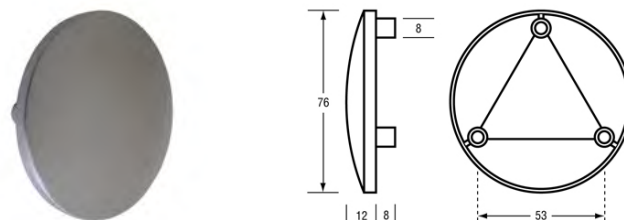


Code	Angle	A	B	Finish
776_MLR112 ^	90°	450mm	450mm	Satin stainless-steel

^ not stocked, available as special buy-in (longer lead times may apply)

## Grab rail fixing plates

- Stainless steel partition fixing plate to suit 776\_MLR112
  - Designed for bolt-through installation with M5 threaded bolts
- Concealed fix
- 76mm diameter
- Helps with compliance to AUS standard AS1428.1 for ambulant / accessible toilets
  - To provide people with disabilities access to sanitary facilities
- Supplied as each – two required per grab rail

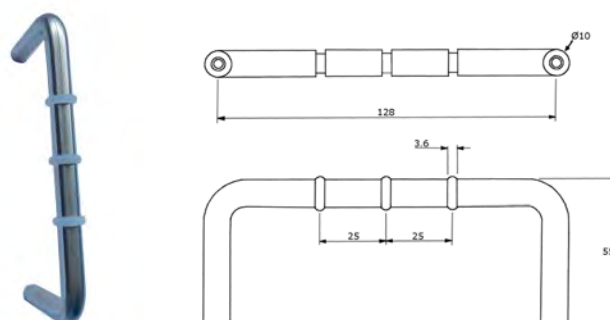


Code	Dia.	Finish
776_MLRBT_FXPLATE ^	76mm	Satin stainless-steel

^ not stocked, available as special buy-in (longer lead times may apply)

## D-Handle

- 304-grade stainless steel D-shaped handle with clear rubber stoppers
  - Rubber stoppers protect walls or partition surfaces from being damaged.
- Surface mount, visible screw-fix from rear
- 55mm protrusion, 45mm inner standoff
- Helps with compliance to AUS standard AS1428.1 for ambulant / accessible toilets
  - To provide people with disabilities access to sanitary facilities



Code	C/C	Length	Finish
776_ML315R ^	128mm	137mm	Satin stainless-steel

^ not stocked, available as special buy-in (longer lead times may apply)

# TOILET PARTITION HARDWARE

## INDEX PART NUMBERS

Part Number.....	Page
776_120_200_ALU.....	10
776_120_200_BLK.....	10
776_EASYFITLOCK_SCP.....	06
776_FACEPLATE_106C_SCP.....	12
776_FACEPLATE_SS.....	12
776_ML315R ^.....	13
776_ML96246_BLU ^.....	12
776_ML96266_BLU ^.....	12
776_ML96304_BLU ^.....	12
776_MLR112 ^.....	13
776_MLRBT_FXPLATE ^.....	13
776_MODABUMPER_BLK.....	07
776_MODABUMPER_SCP.....	07
776_MODALHINGE_A_BLK.....	04
776_MODALHINGE_A_SCP.....	04
776_MODALHINGE_B_BLK.....	04
776_MODALHINGE_B_SCP.....	04
776_MODALHOOK_BLK.....	08
776_MODALHOOK_SCP.....	08
776_MODALKIT_A_BLK.....	03
776_MODALKIT_A_SCP.....	03
776_MODALKIT_B_BLK.....	03
776_MODALKIT_B_SCP.....	03
776_MODALOCK_BLK.....	06
776_MODALOCK_ER_BLK ^.....	06
776_MODALOCK_ER_SCP ^.....	06
776_MODALOCK_SCP.....	06
776_UNICH_36_BLK.....	11
776_WACH13_18.....	10
776_WACH13_36.....	10
776_WACH18_18.....	10
776_WACH18_36.....	10
776_WAINS13_27.....	10, 11
776_WAINS18_27.....	10, 11
776037_1.....	04, 05
776038_1.....	04, 05
776039_1.....	04, 05
776040_1.....	04, 05

# TOILET PARTITION HARDWARE

## INDEX PART NUMBERS

Part Number.....	Page
776043.....	08
776049 ^.....	07
776052_1.....	07
776059_SF.....	07
776066-AL.....	12
776069.....	08
776103.....	09
776110_10.....	11
776111_10.....	11
776112_10 ^.....	11
776113_10 ^.....	11
776136.....	09
776138.....	09
776245_1.....	04
776250_1.....	04
776255_1 ^.....	04
776260_1 ^.....	04
776305_1.....	05
776310_1.....	05



**CABINET HARDWARE SYSTEMS**

## **TOILET PARTITION HARDWARE**

# Version 1.1

### **Australia**

**1800 008 591 ■ [www.artia.com.au](http://www.artia.com.au)**

**VICTORIA:**

235 Settlement Road,  
Thomastown VIC 3074

**NEW SOUTH WALES:**

6 Nello Pl, Wetherill Park  
New South Wales 2164

**QUEENSLAND:**

Building 2/660 MacArthur  
Avenue, Pinkenba QLD 4008

**SOUTH AUSTRALIA:**

13 Rosberg Road,  
Wingfield SA 5013

**WESTERN AUSTRALIA:**

5/1 Dellamarta Rd, Wangara  
Western Australia 6065

### **New Zealand**

**0800 267 625 ■ [www.artia.co.nz](http://www.artia.co.nz)**

**AUCKLAND:**

11 Bruce Roderick Drive,  
East Tamaki, Auckland 2013

**CHRISTCHURCH:**

117 Wrights Road,  
Addington, Christchurch 8024