



# CABINET HARDWARE SYSTEMS

## TOPAZ SLIMLINE DRAWER SYSTEM

# #DSY-TSL

### Australia

1800 008 591 | [www.artia.com.au](http://www.artia.com.au)

**VICTORIA:**

235 Settlement Road,  
Thomastown VIC 3074

**NEW SOUTH WALES:**

6 Nello Place,  
Wetherill Park NSW 2164

**QUEENSLAND:**

Building 2/660 MacArthur  
Avenue, Pinkenba QLD 4008

**SOUTH AUSTRALIA:**

13 Rosberg Road,  
Wingfield SA 5013

**WESTERN AUSTRALIA:**

Unit 5/1 Dellamarta Road,  
Wangara WA 6065

### New Zealand

0800 267 625 | [www.artia.co.nz](http://www.artia.co.nz)

**AUCKLAND:**

11 Bruce Roderick Drive,  
East Tamaki, Auckland 2013

**CHRISTCHURCH:**

117 Wrights Road,  
Addington, Christchurch 8024



# TOPAZ SLIMLINE DRAWER SYSTEM

## CONTENTS

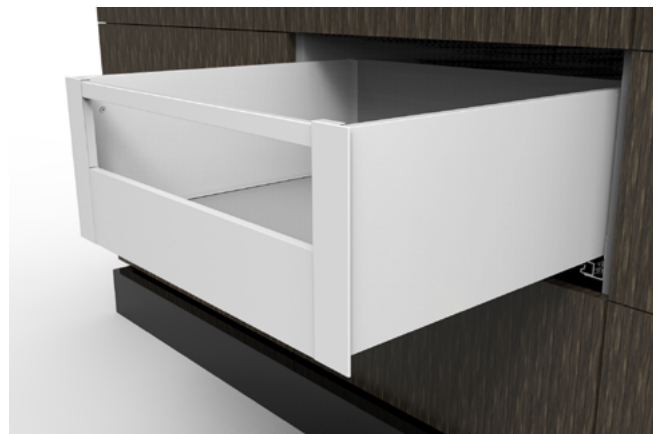
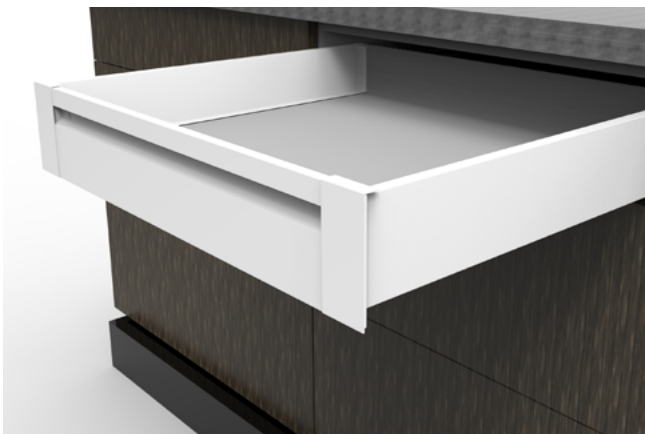
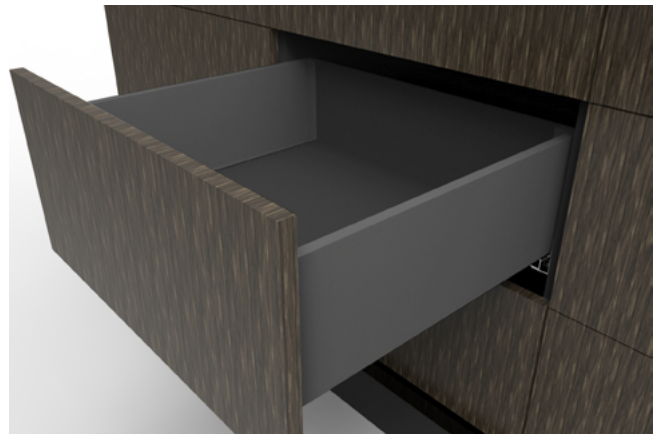
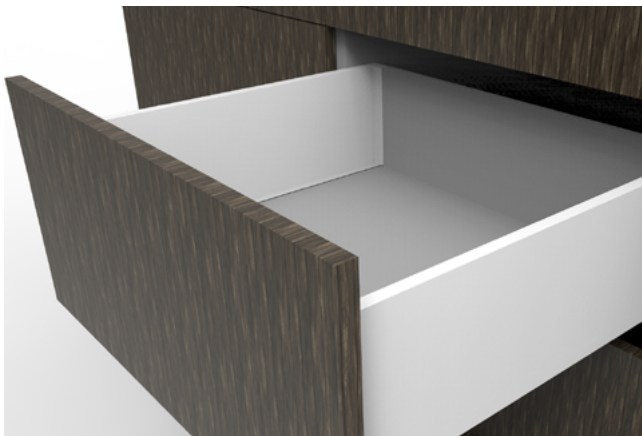
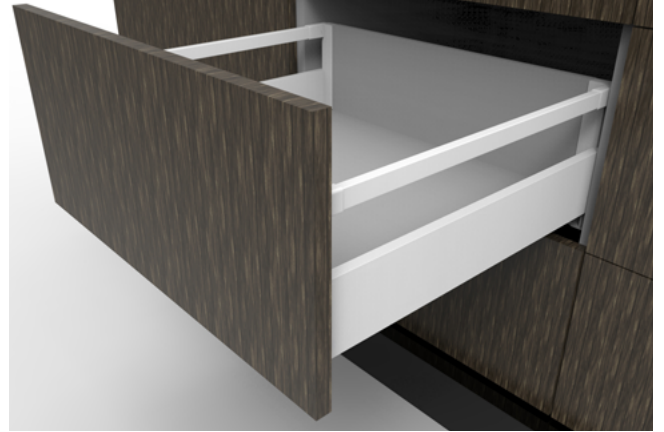
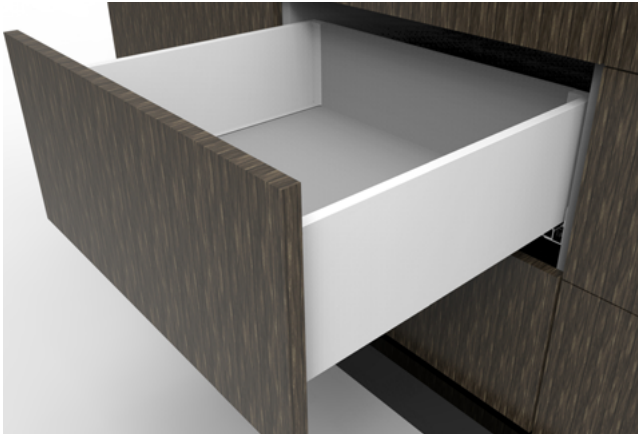
<b>TOPAZ SLIMLINE DRAWER H86</b> .....	8
H86 Standard, 86mm high .....	8
H86 Drawer Configuration .....	8
H86 Technical Information .....	9
<b>TOPAZ SLIMLINE DRAWER H118</b> .....	10
H118 Maxi drawer, 118mm high .....	10
H118 Drawer Configuration .....	10
H118 Technical Information .....	11
<b>TOPAZ SLIMLINE DRAWER H167</b> .....	12
H167 Mid-height drawer, 167mm high .....	12
H167 Drawer Configuration .....	12
H167 Technical Information .....	13
<b>TOPAZ SLIMLINE DRAWER H199</b> .....	14
H199 Tall drawer, 199mm high .....	14
H199 Drawer Configuration .....	14
H199 Technical Information .....	15
<b>TOPAZ SLIMLINE INNER DRAWER H86</b> .....	16
H86 Inner Drawer, 86mm high .....	16
H86 Inner Drawer Configuration .....	16
H86 Inner Drawer Technical Information .....	17
<b>TOPAZ SLIMLINE INNER DRAWER H118</b> .....	18
H118 Inner Drawer, 118mm high .....	18
H118 Inner Drawer Configuration .....	18
H118 Inner Drawer Technical Information .....	19
<b>TOPAZ SLIMLINE INNER DRAWER H167</b> .....	20
H167 Inner Drawer, 167mm high .....	20
H167 Inner Drawer Configuration .....	20
H167 Inner Drawer Technical Information .....	21
<b>TOPAZ SLIMLINE INNER DRAWER H199</b> .....	22
H199 Inner Drawer, 199mm high .....	22
H199 Inner Drawer Configuration .....	22
H199 Inner Drawer Technical Information .....	23
<b>TOPAZ SLIMLINE RAILING DRAWER</b> .....	24
Railing Drawer .....	24
Railing Drawer Configuration .....	24
<b>TOPAZ SLIMLINE RAILING DRAWER</b> .....	25
H167 Railing Drawer Technical Information .....	25
<b>PART NUMBER INDEX</b> .....	26

# TOPAZ SLIMLINE DRAWER SYSTEM

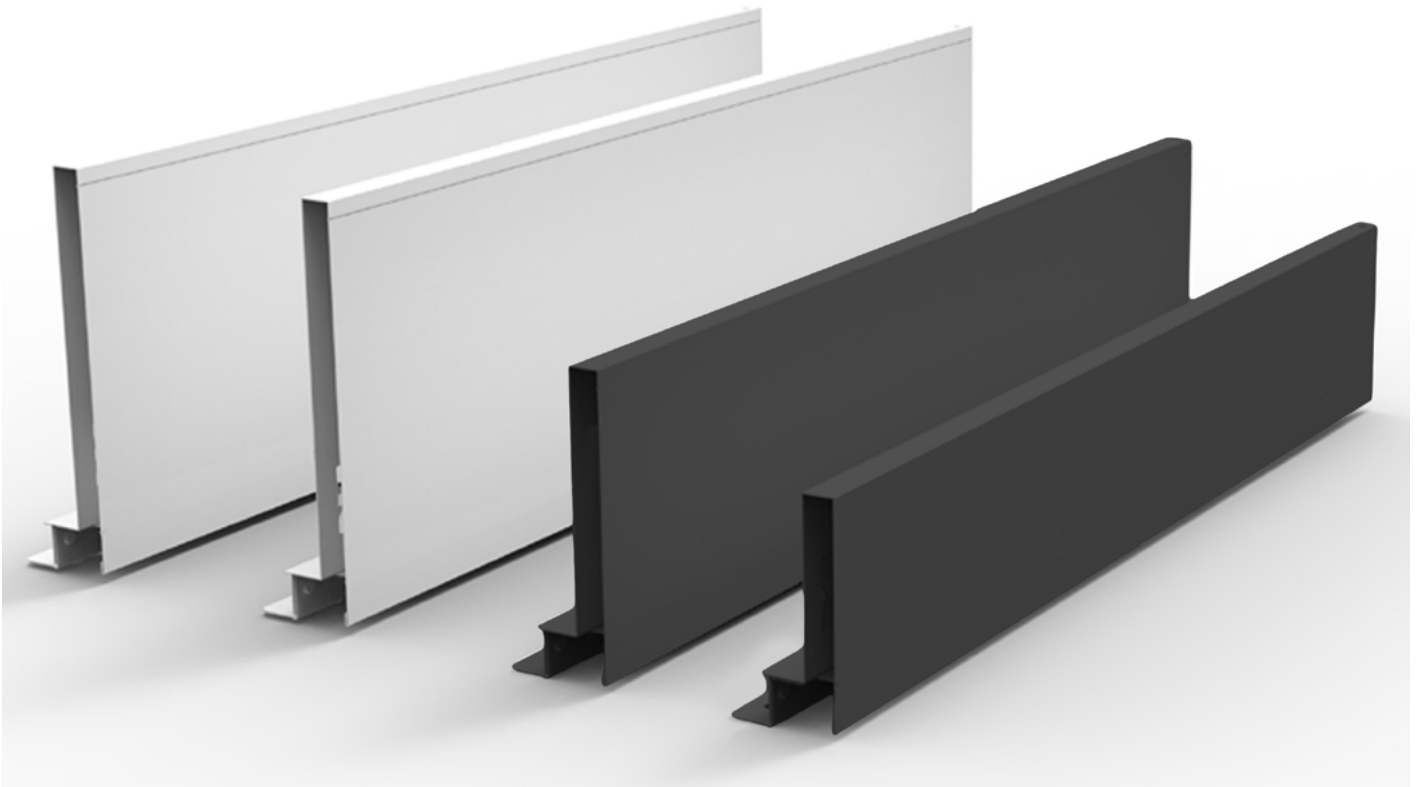


**TOPAZ**  
Slimline Drawer System

# TOPAZ SLIMLINE DRAWER SYSTEM



# TOPAZ SLIMLINE DRAWER SYSTEM



## **ELEGANT FUNCTIONALITY**

12.9mm slim sidewalls add a touch of light elegance to your cabinetry. Tall sidewalls ensure that nothing gets lost.

## **OPTIMUM SPACE UTILISATION**

With right angles inside and out, the slimline profile maximises internal drawer space.

## **ALL BASES COVERED**

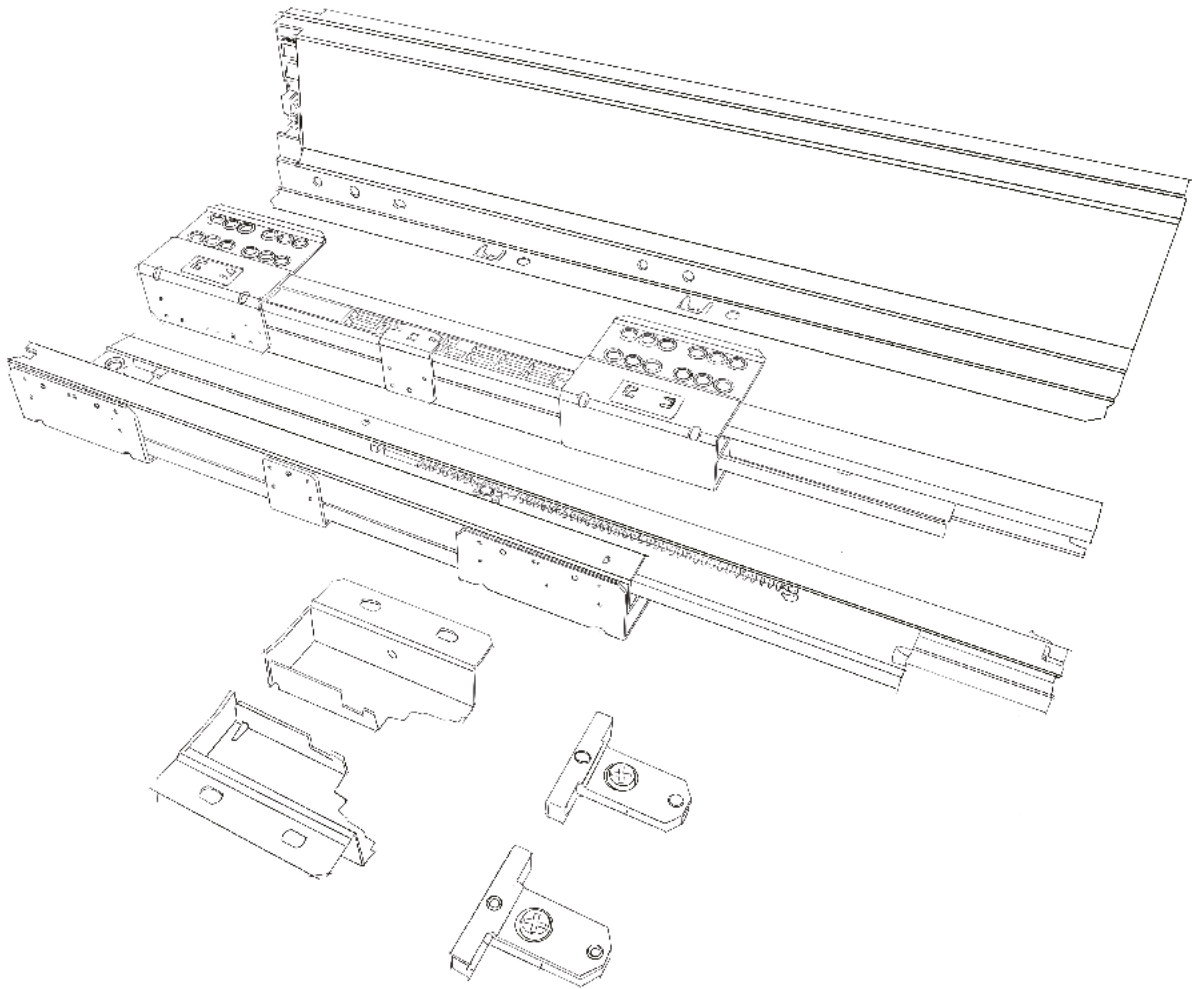
Four different heights H86, H118, H167 and H199.

Six drawer lengths NL270 to NL550.

Available in white or dark grey (select lengths and heights) to suit a wide range of cabinet styles.

Inner drawer options and gallery rails for a truly universally useful drawer system.

# TOPAZ SLIMLINE DRAWER SYSTEM



## **SMOOTH**

Synchronised runners ensure that even wide drawers run without hiccup. The soft-close feature adds the finishing touch.

## **STRONG**

The 40kg load capacity ensures that the TOPAZ Slimline Drawer System is up to the job, all day everyday.

## **TRIED AND TESTED**

Quality as proven with 80,000 opening and closing cycles.

## **PLANNING FLEXIBILITY**

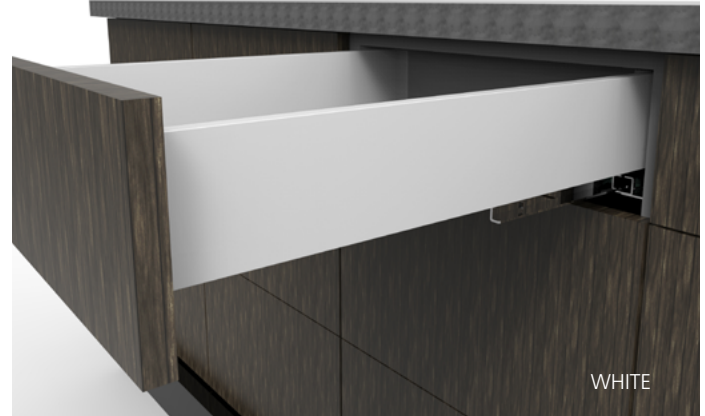
Modular system for optimum stock planning and ability to react to short-term specification changes.

# TOPAZ SLIMLINE DRAWER SYSTEM

## TOPAZ SLIMLINE DRAWER H86

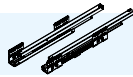
### ▶ H86 Standard, 86mm high

- Standard height 86mm, perfect for a bank of five standard drawers
- Synchronised soft-closing slide runners
- 40 kg load capacity
- Full range of drawer lengths NL270 to NL550mm
- 3D drawer front adjustment, up & down  $\pm 1.5$ mm, left & right  $\pm 1.5$ mm
- Choice of screw-fix or expanding dowel front brackets
- Available in white (full range) and dark grey (select drawers)



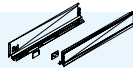
### ▶ H86 Drawer Configuration

#### A TSL1 Soft-closing drawer slides (pair)



LENGTH	CODE
<b>NL270</b>	TSL1.NL270.SC
<b>NL350</b>	TSL1.NL350.SC
<b>NL400</b>	TSL1.NL400.SC
<b>NL450</b>	TSL1.NL450.SC
<b>NL500</b>	TSL1.NL500.SC
<b>NL550</b>	TSL1.NL550.SC

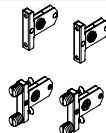
#### B TSL2 H86 Drawer sides, 86mm high (pair)



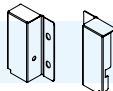
LENGTH	WHITE	DARK GREY
<b>NL270</b>	TSL2.H86.270.W	#
<b>NL350</b>	TSL2.H86.350.W	#
<b>NL400</b>	TSL2.H86.400.W	TSL2.H86.400.DG
<b>NL450</b>	TSL2.H86.450.W	#
<b>NL500</b>	TSL2.H86.500.W	TSL2.H86.500.DG
<b>NL550</b>	TSL2.H86.550.W	#

#### C TSL3 H86 Front connector brackets for H86 drawers (pair)

TYPE	CODE
<b>SCREW-FIX H86</b>	TSL3.FB86.S
<b>EXPANDING DOWEL H86</b>	TSL3.FB86.D

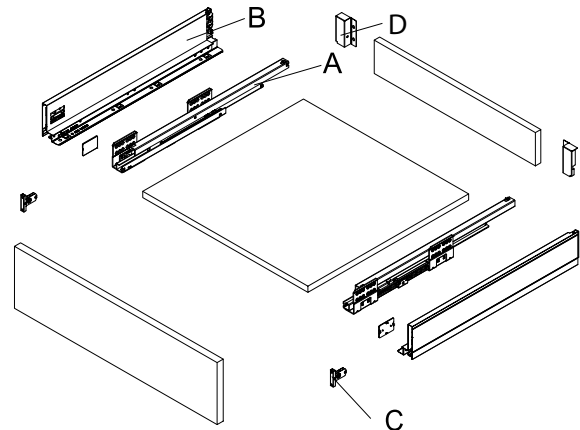


#### D TSL4 Rear brackets for H86 drawers (pair)



TYPE	WHITE	DARK GREY
<b>H86</b>	TSL4.RB86.W	TSL4.RB86.DG

Component View



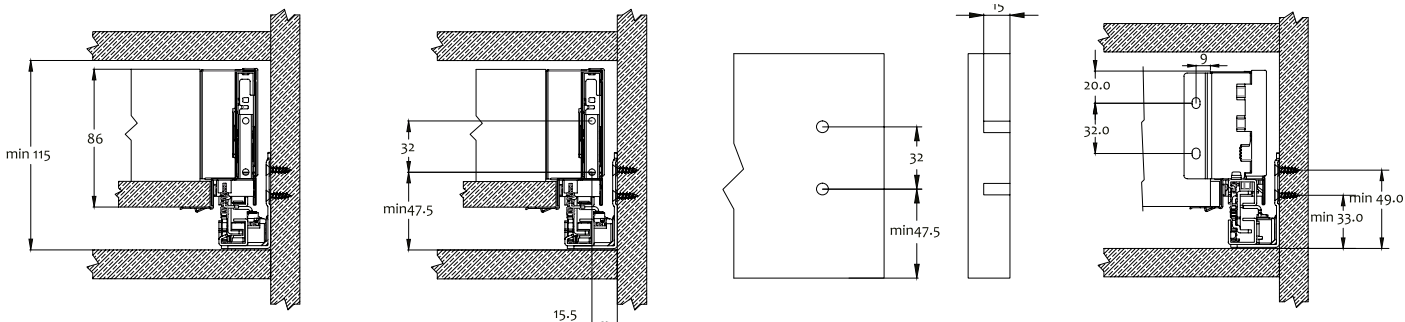
#Available as special order with extended lead times and minimum quantity commitments of 200 per SKU



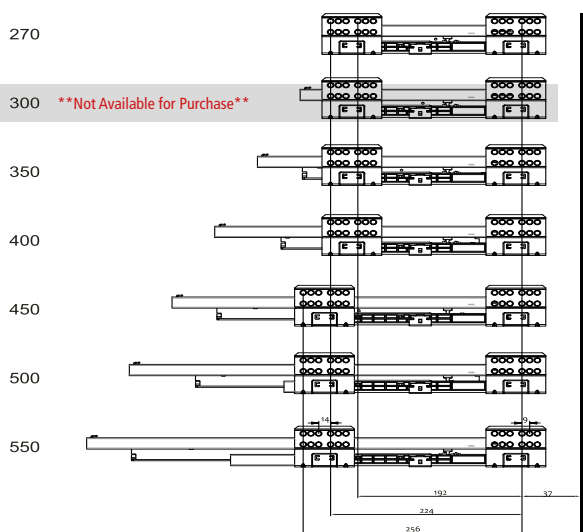
# TOPAZ SLIMLINE DRAWER SYSTEM

TOPAZ SLIMLINE DRAWER H86

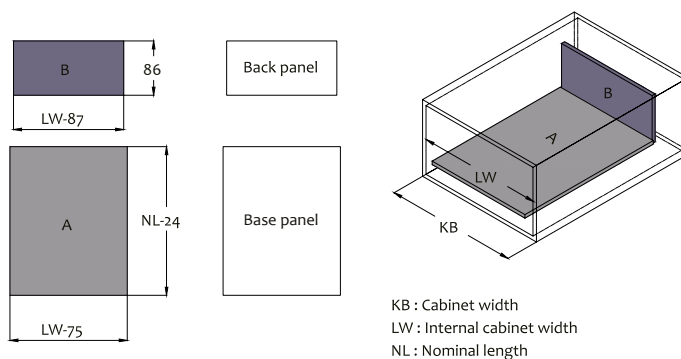
## ► H86 Technical Information



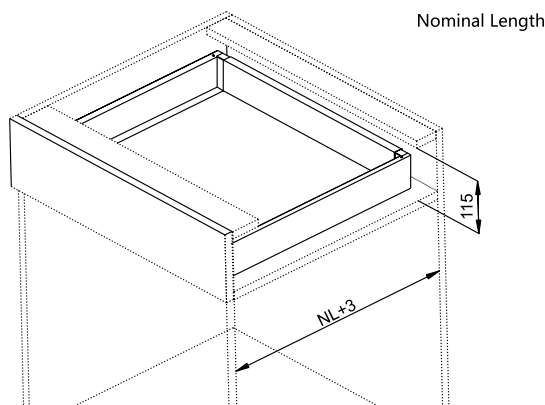
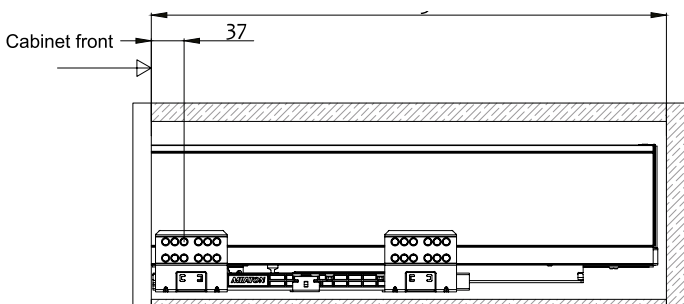
## DRAWER SLIDE DIMENSIONS



## CUTTING DIMENSIONS



## SPACE REQUIREMENTS

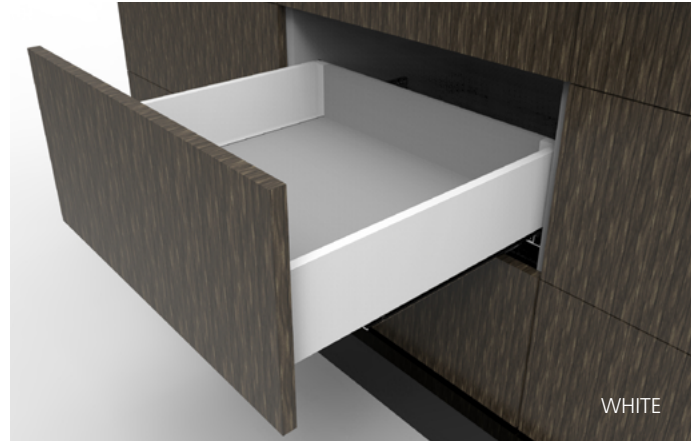


# TOPAZ SLIMLINE DRAWER SYSTEM

## TOPAZ SLIMLINE DRAWER H118

### ▶ H118 Maxi drawer, 118mm high

- Maxi height 118mm, ideal for a bank of four added height standard drawers
- Synchronised soft-closing slide runners
- 40 kg load capacity
- Wide range of drawer lengths NL350 to NL550mm
- 3D drawer front adjustment, up & down  $\pm 1.5$ mm, left & right  $\pm 1.5$ mm
- Choice of screw-fix or expanding dowel front brackets
- Available in white (core range) and dark grey (select drawers)



### ▶ H118 Drawer Configuration

#### A TSL1 Soft-closing drawer slides (pair)



LENGTH	CODE
NL270	TSL1.NL270.SC
NL350	TSL1.NL350.SC
NL400	TSL1.NL400.SC
NL450	TSL1.NL450.SC
NL500	TSL1.NL500.SC
NL550	TSL1.NL550.SC

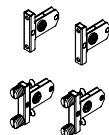
#### B TSL2 Drawer sides, 118mm high (pair)



LENGTH	WHITE	DARK GREY
NL270	#	#
NL350	TSL2.H118.350.W	#
NL400	TSL2.H118.400.W	#
NL450	TSL2.H118.450.W	#
NL500	TSL2.H118.500.W	TSL2.H118.500.DG
NL550	TSL2.H118.550.W	#

#### C TSL3 Front connector brackets for H118 drawers (pair)

TYPE	CODE
SCREW-FIX H118	TSL3.FB118.S
EXPANDING DOWEL H118	TSL3.FB118.D

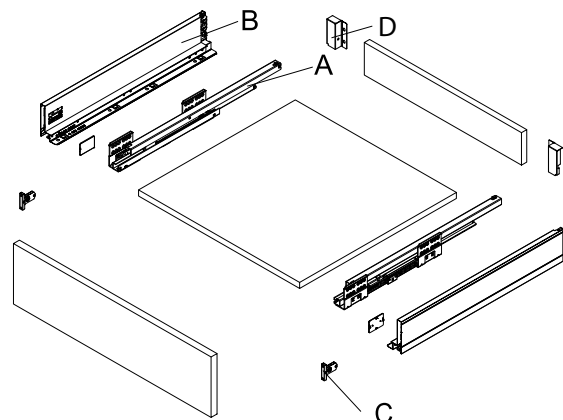


#### D TSL5 Rear brackets for H118 drawers (pair)

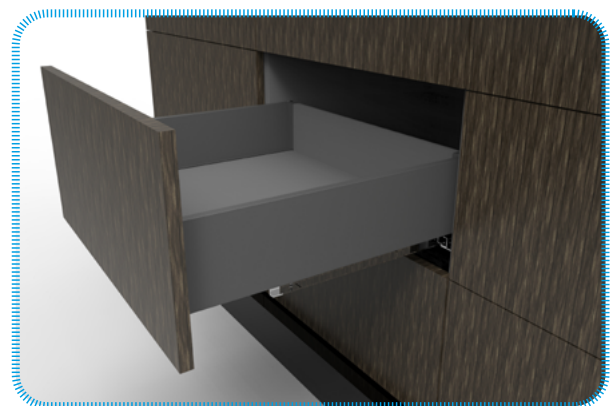


TYPE	WHITE	DARK GREY
H118	TSL4.RB118.W	TSL4.RB118.DG

Component View



DARK GREY



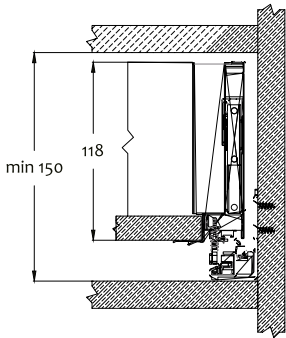
#Available as special order with extended lead times and minimum quantity commitments of 200 per SKU

# TOPAZ SLIMLINE DRAWER SYSTEM

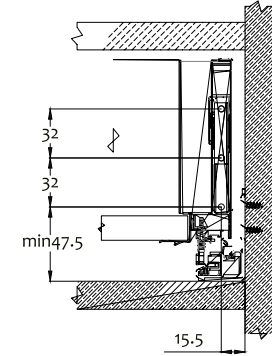
TOPAZ SLIMLINE DRAWER H118

## ► H118 Technical Information

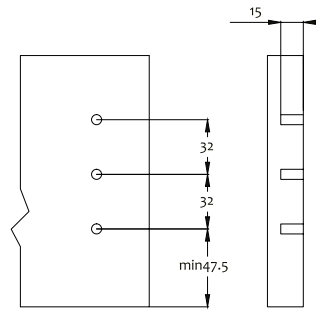
Cabinet space requirement



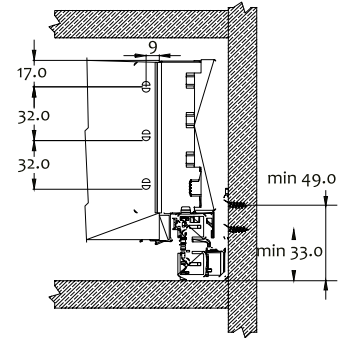
Mounting dimensions Front brackets



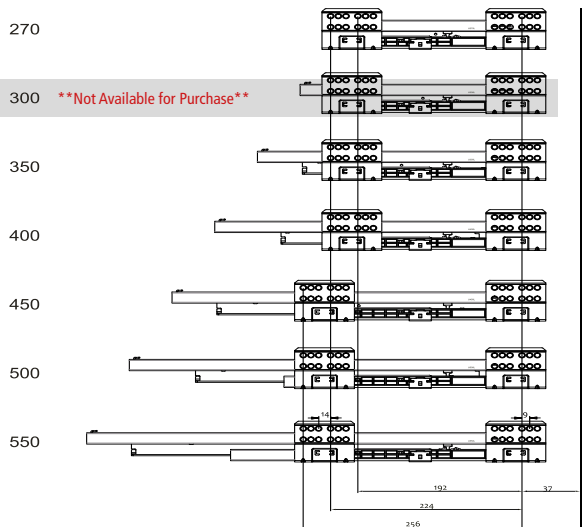
Drilling dimensions Front panel



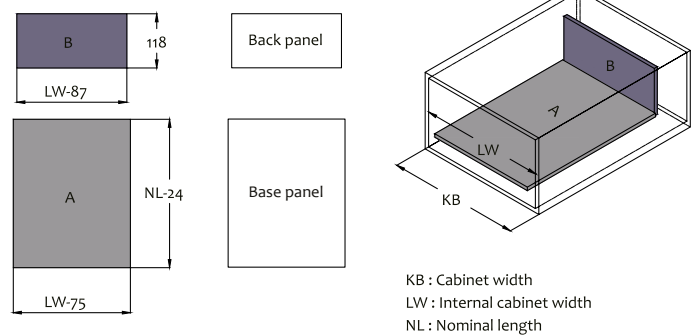
Mounting dimensions Back panel



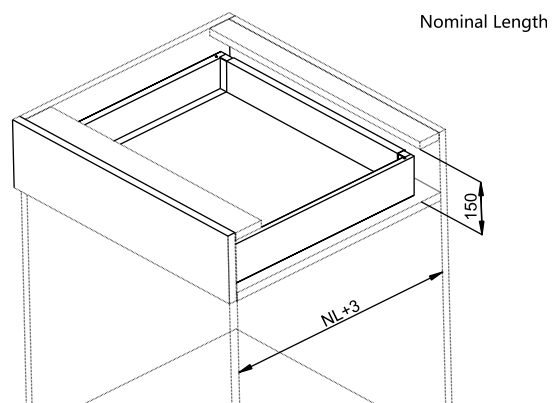
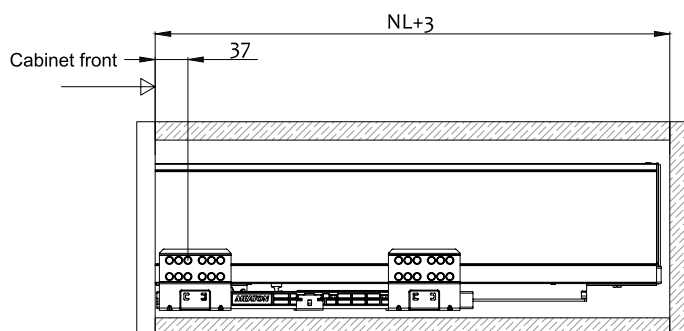
## DRAWER SLIDE DIMENSIONS



## CUTTING DIMENSIONS



## SPACE REQUIREMENTS

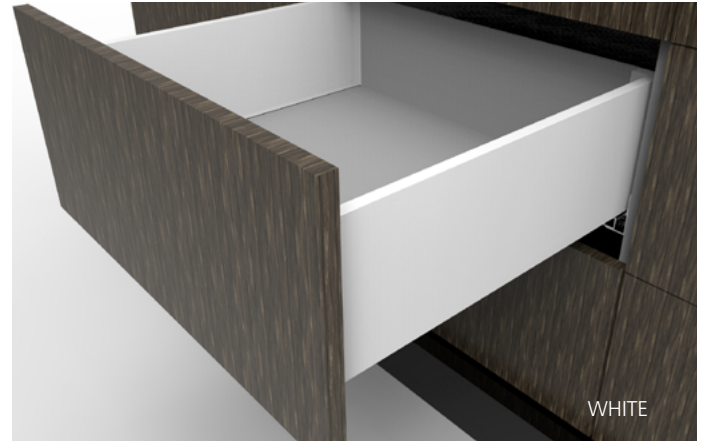


# TOPAZ SLIMLINE DRAWER SYSTEM

## TOPAZ SLIMLINE DRAWER H167

### ▶ H167 Mid-height drawer, 167mm high

- Mid-height 167mm, perfect for wardrobes
- Synchronised soft-closing slide runners
- 40 kg load capacity
- Full range of drawer lengths NL270 to NL550mm
- 3D drawer front adjustment, up & down  $\pm 1.5$ mm, left & right  $\pm 1.5$ mm
- Choice of screw-fix or expanding dowel front brackets
- Available in white (full-range) and dark grey (select drawers)



### ▶ H167 Drawer Configuration

#### A TSL1 Soft-closing drawer slides (pair)



LENGTH	CODE
<b>NL270</b>	TSL1.NL270.SC
<b>NL350</b>	TSL1.NL350.SC
<b>NL400</b>	TSL1.NL400.SC
<b>NL450</b>	TSL1.NL450.SC
<b>NL500</b>	TSL1.NL500.SC
<b>NL550</b>	TSL1.NL550.SC

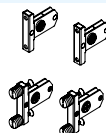
#### B TSL2 Drawer sides, 167mm high (pair)



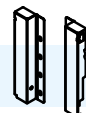
LENGTH	WHITE	DARK GREY
<b>NL270</b>	TSL2.H167.270.W	#
<b>NL350</b>	TSL2.H167.350.W	#
<b>NL400</b>	TSL2.H167.400.W	TSL2.H167.400.DG
<b>NL450</b>	TSL2.H167.450.W	#
<b>NL500</b>	TSL2.H167.500.W	TSL2.H167.500.DG
<b>NL550</b>	TSL2.H167.550.W	#

#### C TSL3 Front connector brackets for H167 drawers (pair)

TYPE	CODE
<b>SCREW-FIX H167/199</b>	TSL3.FB167.199.S
<b>EXPANDING DOWEL H167/199</b>	TSL3.FB167.199.D

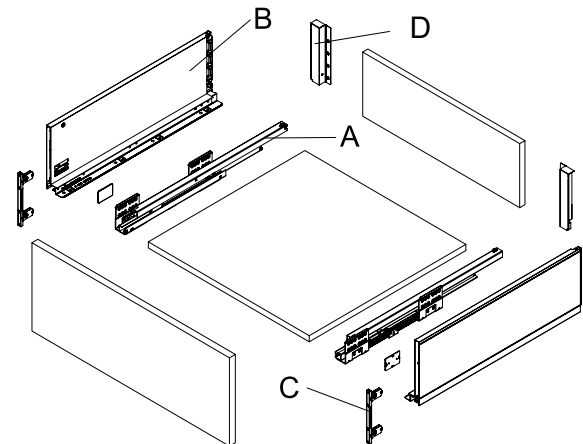


#### D TSL4 Rear brackets for H167 drawers

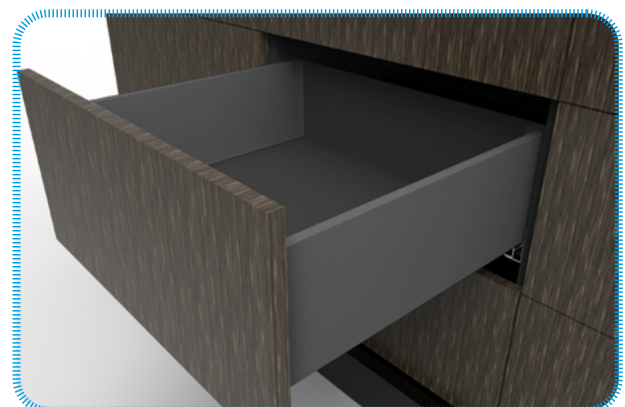


TYPE	WHITE	DARK GREY
<b>H167</b>	TSL4.RB167.W	TSL4.RB167.DG

Component View



**DARKGREY**



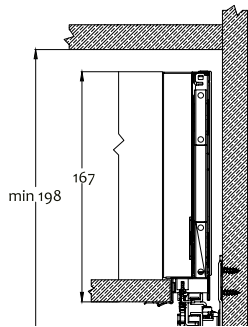
#Available as special order with extended lead times and minimum quantity commitments of 200 per SKU

# TOPAZ SLIMLINE DRAWER SYSTEM

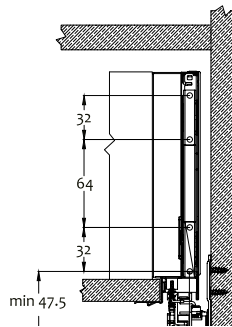
TOPAZ SLIMLINE DRAWER H167

## ► H167 Technical Information

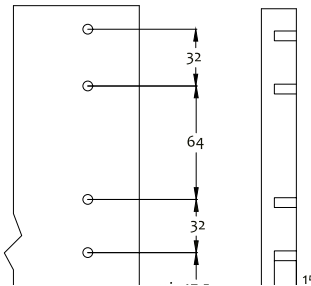
Cabinet space requirement



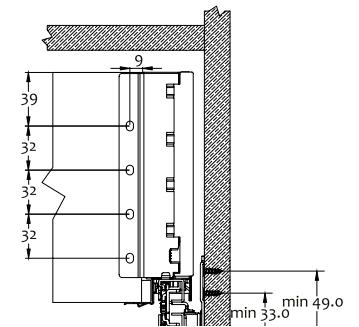
Mounting dimensions  
Front brackets



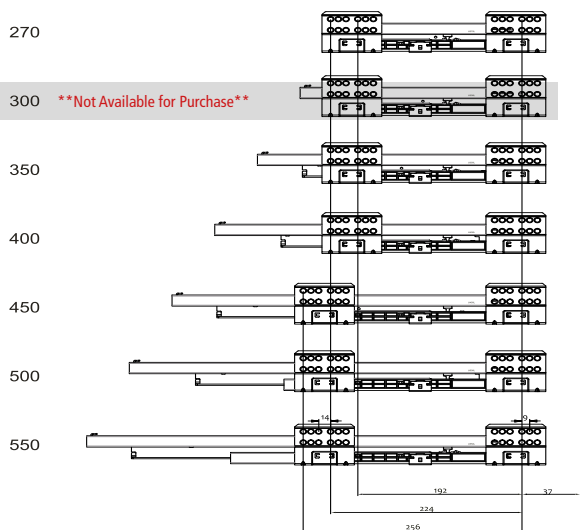
Drilling dimensions  
Front panel



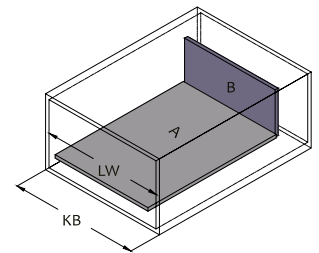
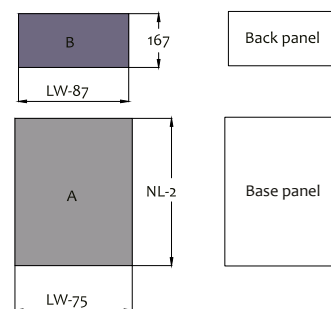
Mounting dimensions  
Back panel



## DRAWER SLIDE DIMENSIONS

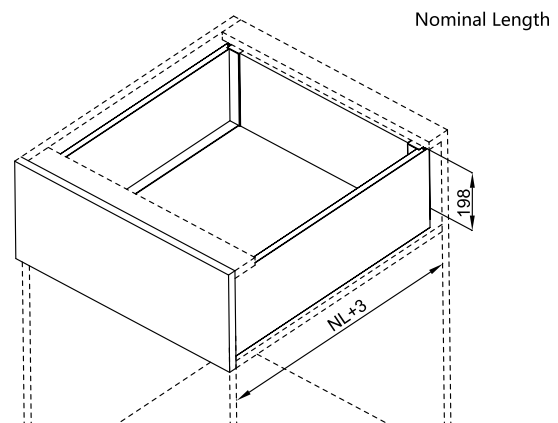
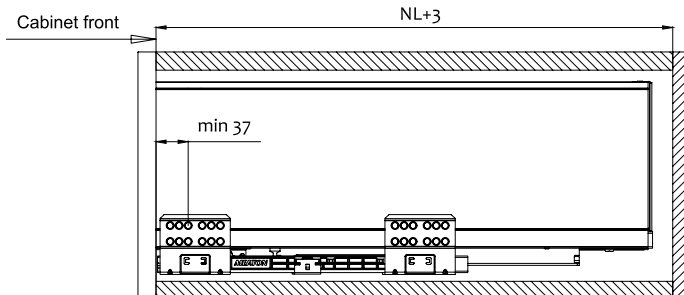


## CUTTING DIMENSIONS



KB : Cabinet width  
LW : Internal cabinet width  
NL : Nominal length

## SPACE REQUIREMENTS

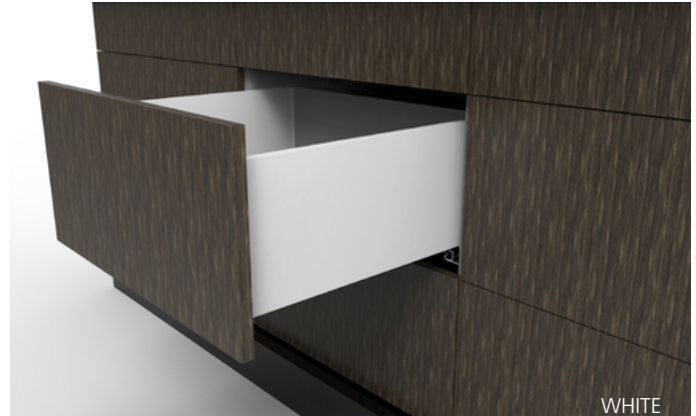


# TOPAZ SLIMLINE DRAWER SYSTEM

## TOPAZ SLIMLINE DRAWER H199

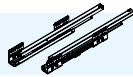
### ▶ H199 Tall drawer, 199mm high

- Tall 199mm, ideal for pot drawers or as deep drawers in wardrobes
- Synchronised soft-closing slide runners
- 40 kg load capacity
- Wide range of drawer lengths NL350 to NL550mm
- 3D drawer front adjustment, up & down  $\pm 1.5$ mm, left & right  $\pm 1.5$ mm
- Choice of screw-fix or expanding dowel front brackets
- Available in white (core range) and dark grey (select drawers)



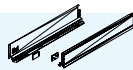
### ▶ H199 Drawer Configuration

#### A TSL1 Soft-closing drawer slides (pair)



LENGTH	CODE
NL270	TSL1.NL270.SC
NL350	TSL1.NL350.SC
NL400	TSL1.NL400.SC
NL450	TSL1.NL450.SC
NL500	TSL1.NL500.SC
NL550	TSL1.NL550.SC

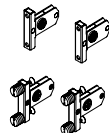
#### B TSL2 Drawer sides, 199mm high (pair)



LENGTH	WHITE	DARK GREY
NL270	#	#
NL350	TSL2.H199.350.W	#
NL400	TSL2.H199.400.W	#
NL450	TSL2.H199.450.W	#
NL500	TSL2.H199.500.W	TSL2.H199.500.DG
NL550	TSL2.H199.550.W	#

#### C TSL3 Front connector brackets for H199 drawers (pair)

TYPE	CODE
SCREW-FIX H167/99	TSL3.FB167.199.S
EXPANDING DOWEL H167/199	TSL3.FB167.199.D

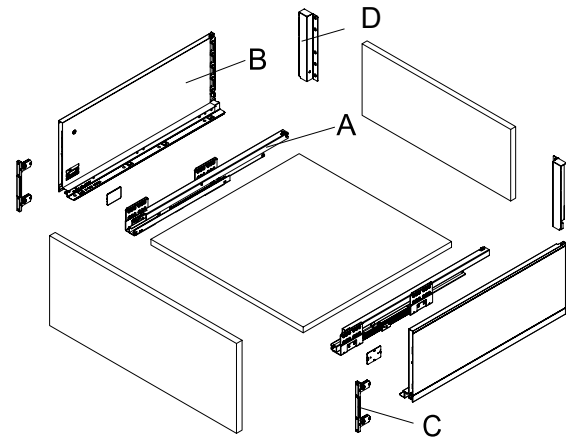


#### D TSL4 Rear brackets for H199 drawers

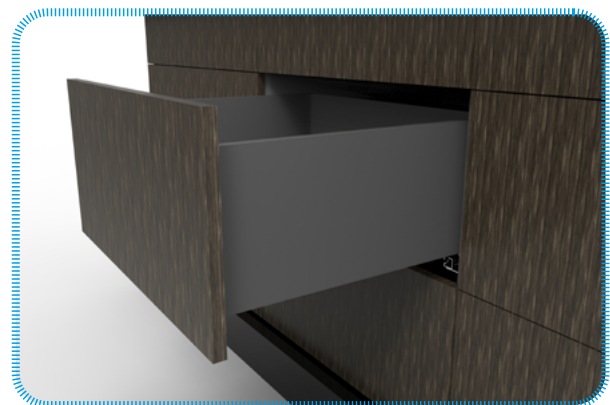


TYPE	WHITE	DARK GREY
H199	TSL4.RB199.W	TSL4.RB199.DG

Component View



DARK GREY



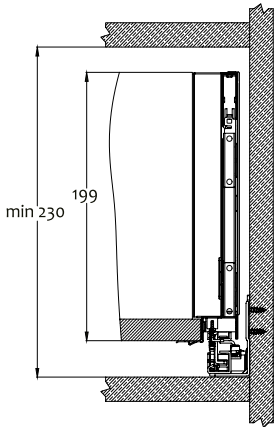
#Available as special order with extended lead times and minimum quantity commitments of 200 per SKU

# TOPAZ SLIMLINE DRAWER SYSTEM

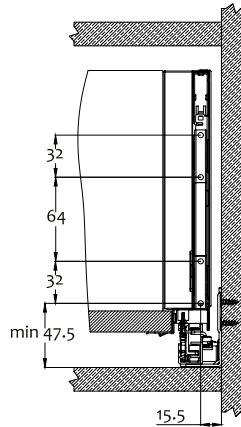
TOPAZ SLIMLINE DRAWER H199

## ► H199 Technical Information

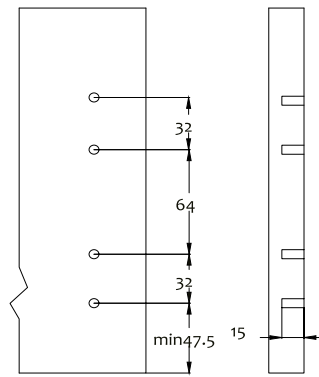
Cabinet space requirement



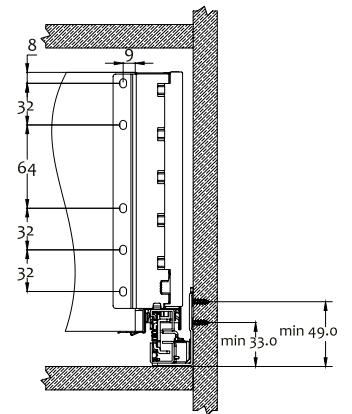
Mounting dimensions Front brackets



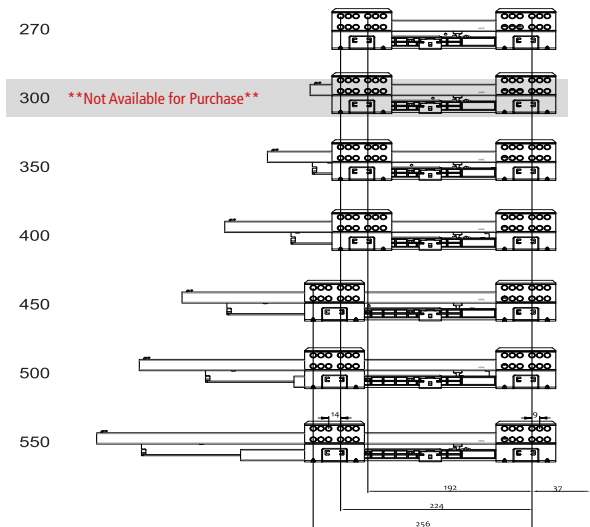
Drilling dimensions Front panel



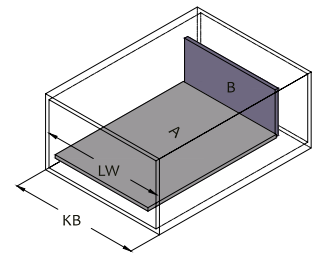
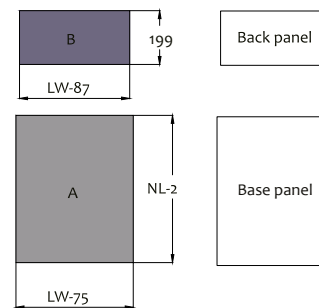
Mounting dimensions Back panel



## DRAWER SLIDE DIMENSIONS

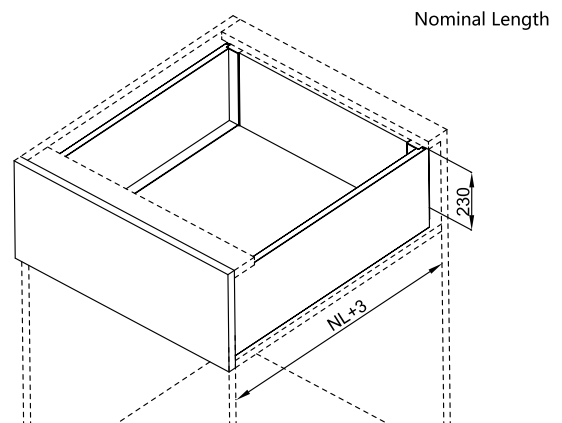
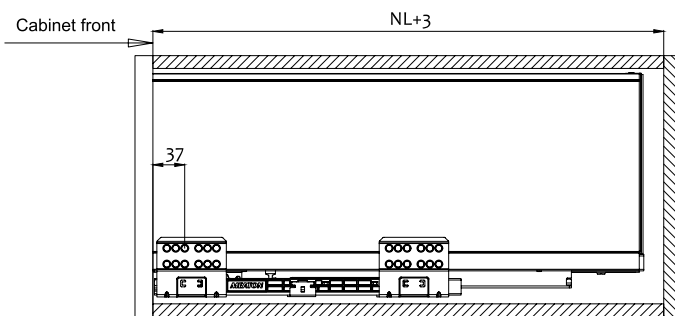


## CUTTING DIMENSIONS



KB : Cabinet width  
LW : Internal cabinet width  
NL : Nominal length

## SPACE REQUIREMENTS

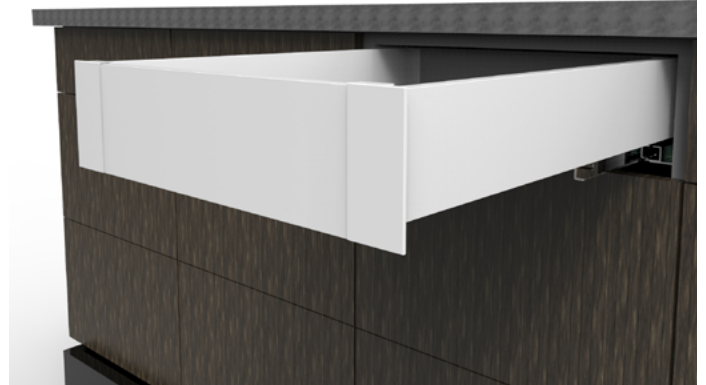


# TOPAZ SLIMLINE DRAWER SYSTEM

## TOPAZ SLIMLINE INNER DRAWER H86

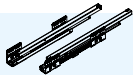
### ▶ H86 Inner Drawer, 86mm high

- Standard height 86mm
- Synchronised soft-closing slide runners
- 40 kg load capacity
- Full range of drawer lengths NL270 to NL550mm
- 3D drawer front adjustment, up & down  $\pm 1.5$ mm, left & right  $\pm 1.5$ mm
- Available in white
- Choice of solid front or grooved / with integrated handle



### ▶ H86 Inner Drawer Configuration

#### A TSL1 Soft-closing drawer slides (pair)



LENGTH	CODE
NL270	TSL1.NL270.SC
NL350	TSL1.NL350.SC
NL400	TSL1.NL400.SC
NL450	TSL1.NL450.SC
NL500	TSL1.NL500.SC
NL550	TSL1.NL550.SC

#### B TSL2 H86 Drawer sides, 86mm high (pair)



LENGTH	WHITE
NL270	TSL2.H86.270.W
NL350	TSL2.H86.350.W
NL400	TSL2.H86.400.W
NL450	TSL2.H86.450.W
NL500	TSL2.H86.500.W
NL550	TSL2.H86.550.W

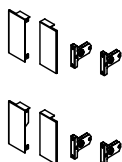
#### C TSL3 Rear brackets for H86 drawers (pair)



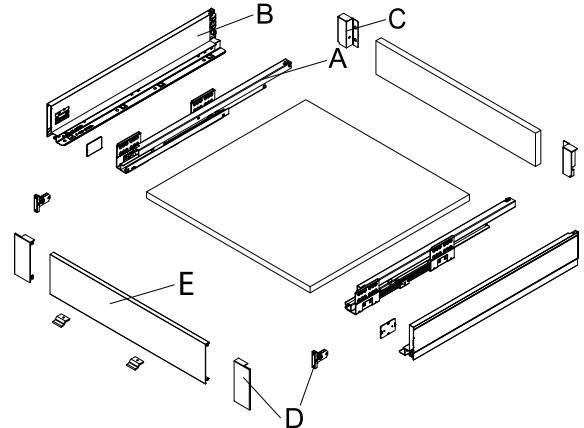
TYPE	WHITE
H86	TSL4.RB86.W

#### D TSL5 Inner drawer front connector brackets for H86 drawers (pair)

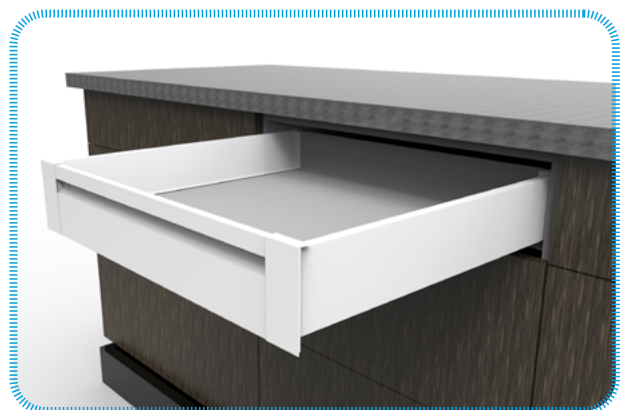
TYPE	WHITE
FOR FLAT PANEL, H86	TSL5.IFCF.H86.W
FOR GROOVED PANEL (INTEGRATED HANDLE), H86	TSL5.IFCG.H86.W



#### Component View

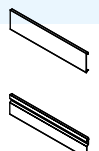


#### GROOVED FRONT WITH INTEGRATED HANDLE



#### E TSL5 Inner drawer front panel, 1200mm wide, incl. two front bottom connector brackets

TYPE	WHITE
FLAT PANEL	TSL5.IFPF.1200.W
GROOVED PANEL (INTEGRATED HANDLE)	TSL5.IFPG.1200.W



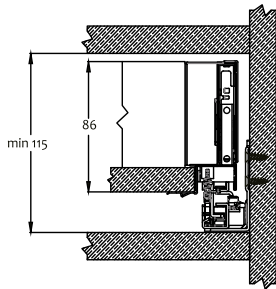


# TOPAZ SLIMLINE DRAWER SYSTEM

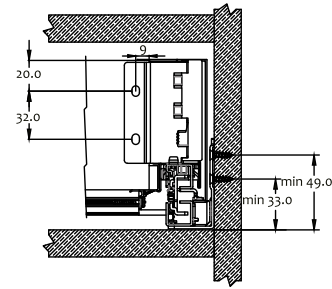
## TOPAZ SLIMLINE INNER DRAWER

### ► H86 Inner Drawer Technical Information

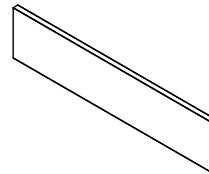
Cabinet space requirement



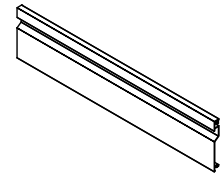
Back panel installation dimensions



Flat panel

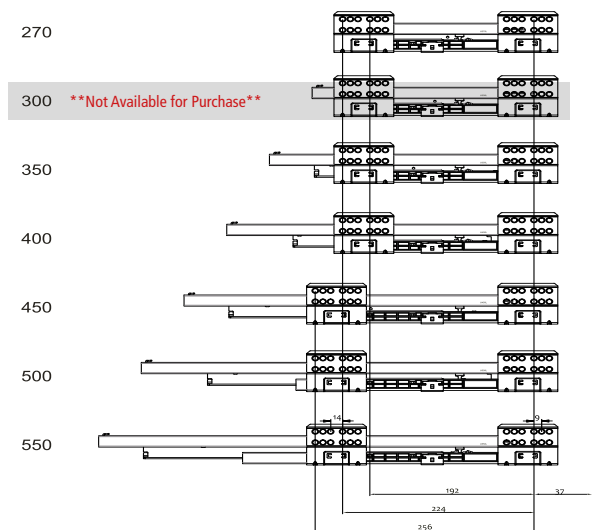


Groove (integrated handle)

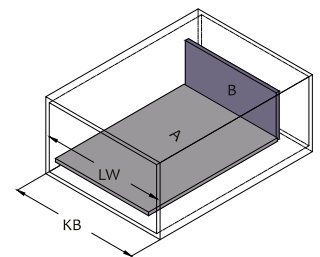
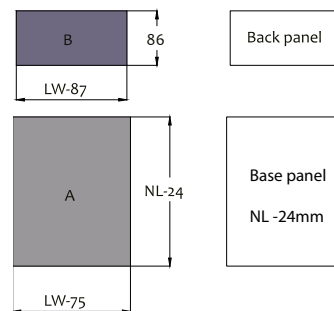


1,200mm long, to be cut LW-98mm

### DRAWER SLIDE DIMENSIONS

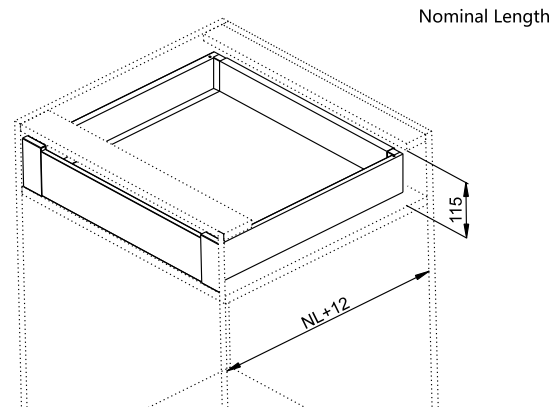
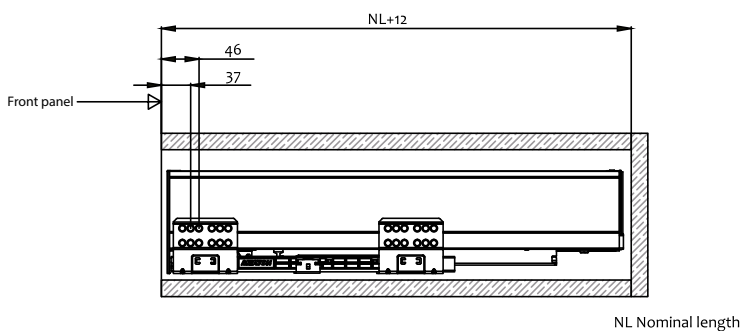


### CUTTING DIMENSIONS



KB : Cabinet width  
LW : Internal cabinet width  
NL : Nominal length

### SPACE REQUIREMENTS

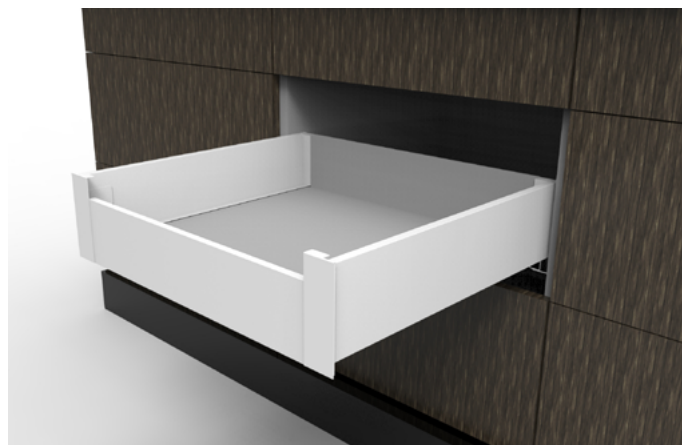


# TOPAZ SLIMLINE DRAWER SYSTEM

## TOPAZ SLIMLINE INNER DRAWER H118

### ▶ H118 Inner Drawer, 118mm high

- Maxi height 118mm
- Synchronised soft-closing slide runners
- 40 kg load capacity
- Wide range of drawer lengths NL350 to NL550mm
- 3D drawer front adjustment, up & down  $\pm 1.5$ mm, left & right  $\pm 1.5$ mm
- Available in white
- Choice of solid front or grooved (with integrated handle)



### ▶ H118 Inner Drawer Configuration

#### A TSL1 Soft-closing drawer slides (pair)



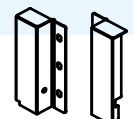
LENGTH	CODE
NL270	TSL1.NL270.SC
NL350	TSL1.NL350.SC
NL400	TSL1.NL400.SC
NL450	TSL1.NL450.SC
NL500	TSL1.NL500.SC
NL550	TSL1.NL550.SC

#### B TSL2 Drawer sides, 118mm high (pair)



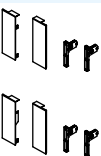
LENGTH	WHITE
NL270	#
NL350	TSL2.H118.350.W
NL400	TSL2.H118.400.W
NL450	TSL2.H118.450.W
NL500	TSL2.H118.500.W
NL550	TSL2.H118.550.W

#### C TSL4 Rear brackets for H118 drawers (pair)



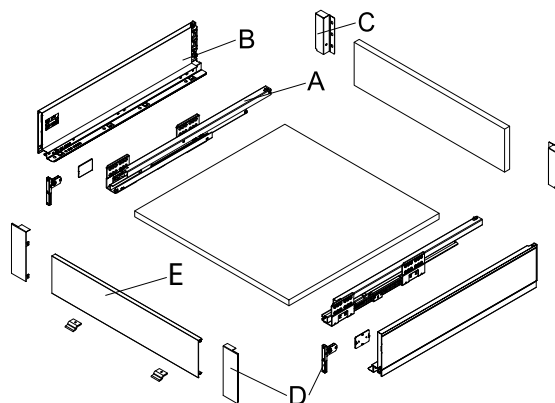
TYPE	WHITE
H118	TSL4.RB118.W

#### D TSL5 Inner drawer front connector brackets for H118 drawers (pair)

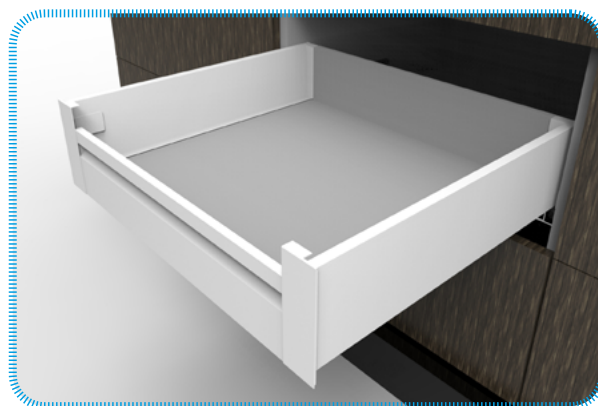


TYPE	WHITE
FOR FLAT PANEL, H118	TSL5.IFCF.H118.W
FOR GROOVED PANEL (INTEGRATED HANDLE), H118	TSL5.IFCG.H118.W

#### Component View



#### GROOVED FRONT WITH INTEGRATED HANDLE



#### E TSL5 Inner drawer front panel, 1200mm wide, incl. two front bottom connector brackets

TYPE	WHITE
FLAT PANEL	TSL5.IFPF.1200.W
GROOVED PANEL (INTEGRATED HANDLE)	TSL5.IFPG.1200.W

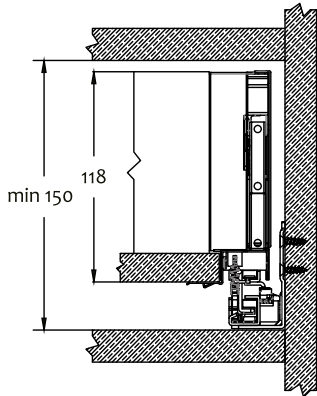


# TOPAZ SLIMLINE DRAWER SYSTEM

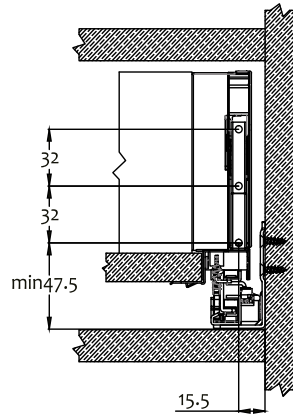
## TOPAZ SLIMLINE INNER DRAWER

### ► H118 Inner Drawer Technical Information

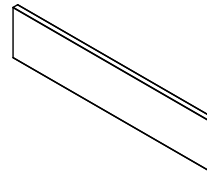
Cabinet space requirement



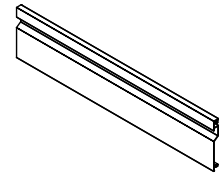
Back panel installation dimensions



Flat panel

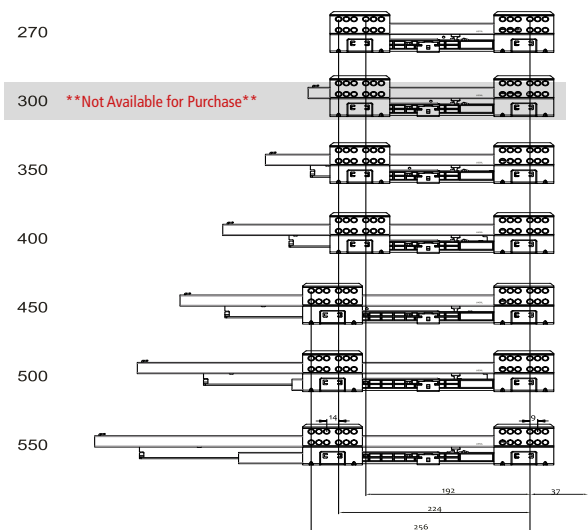


Groove (integrated handle)

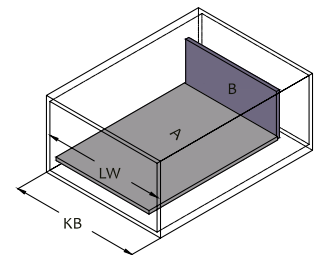
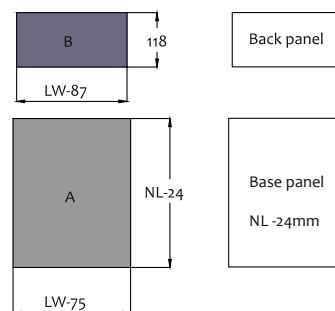


1,200mm long, to be cut LW-98mm

### DRAWER SLIDE DIMENSIONS

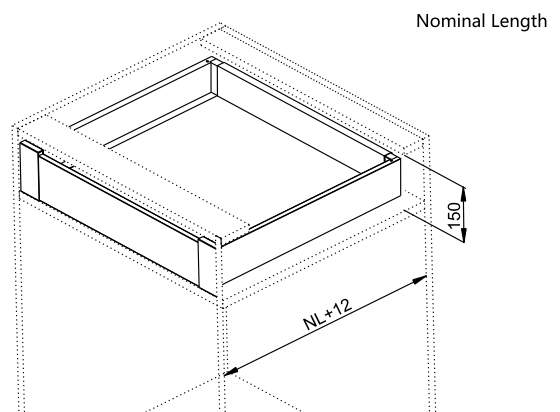
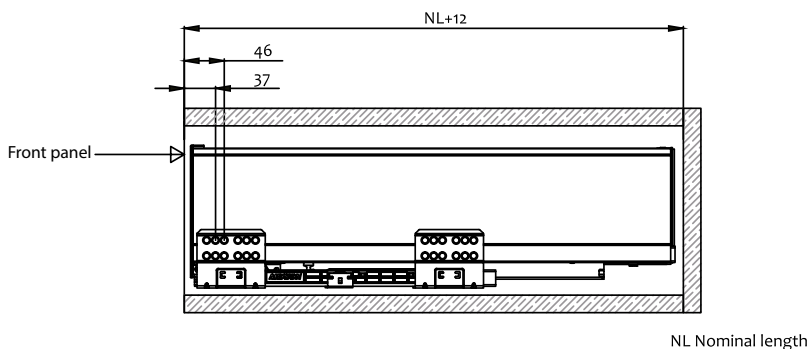


### CUTTING DIMENSIONS



KB : Cabinet width  
LW : Internal cabinet width  
NL : Nominal length

### SPACE REQUIREMENTS

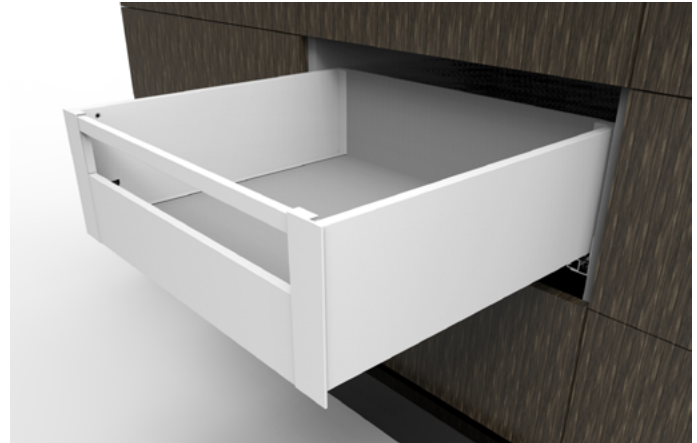


# TOPAZ SLIMLINE DRAWER SYSTEM

## TOPAZ SLIMLINE INNER DRAWER H167

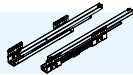
### ▶ H167 Inner Drawer, 167mm high

- Mid-height 167mm
- Synchronised soft-closing slide runners
- 40 kg load capacity
- Full range of drawer lengths NL270 to NL550mm
- 3D drawer front adjustment, up & down  $\pm 1.5$ mm, left & right  $\pm 1.5$ mm
- Available in white



### ▶ H167 Inner Drawer Configuration

#### A TSL1 Soft-closing drawer slides (pair)



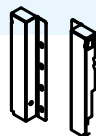
LENGTH	CODE
NL270	TSL1.NL270.SC
NL350	TSL1.NL350.SC
NL400	TSL1.NL400.SC
NL450	TSL1.NL450.SC
NL500	TSL1.NL500.SC
NL550	TSL1.NL550.SC

#### B TSL2 Drawer sides, 167mm high (pair)



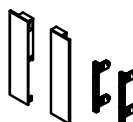
LENGTH	WHITE
NL270	TSL2.H167.270.W
NL350	TSL2.H167.350.W
NL400	TSL2.H167.400.W
NL450	TSL2.H167.450.W
NL500	TSL2.H167.500.W
NL550	TSL2.H167.550.W

#### C TSL4 Rear brackets for H167 drawers (pair)



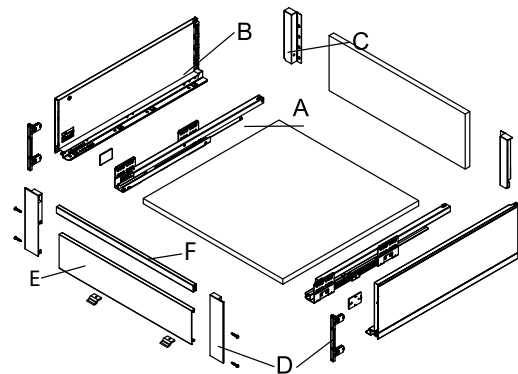
TYPE	WHITE
H167	TSL4.RB167.W

#### D TSL5 Inner drawer front connector brackets for H167 drawers (pair)



TYPE	WHITE
FOR FLAT PANEL, H167	TSL5.IFCF.H167.W

Component View



#### E TSL5 Inner drawer front panel, 1200mm wide, incl. two front bottom connector brackets

TYPE	WHITE
FLAT PANEL	TSL5.IFPF.1200.W



#### F TSL5 Inner drawer front railing, 1200mm wide

TYPE	WHITE
RECTANGULAR RAILING	TSL5.IFRR.1200.W

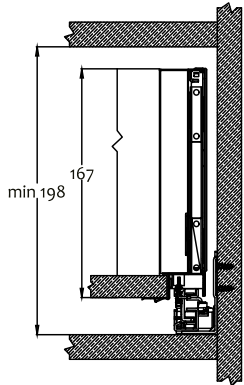


# TOPAZ SLIMLINE DRAWER SYSTEM

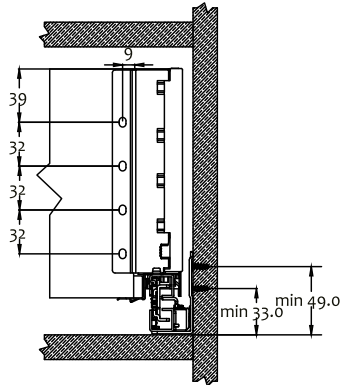
## TOPAZ SLIMLINE INNER DRAWER

### ► H167 Inner Drawer Technical Information

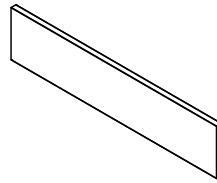
Cabinet space requirement



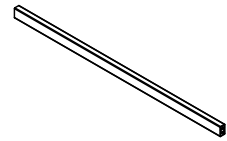
Back panel installation dimensions



Flat panel



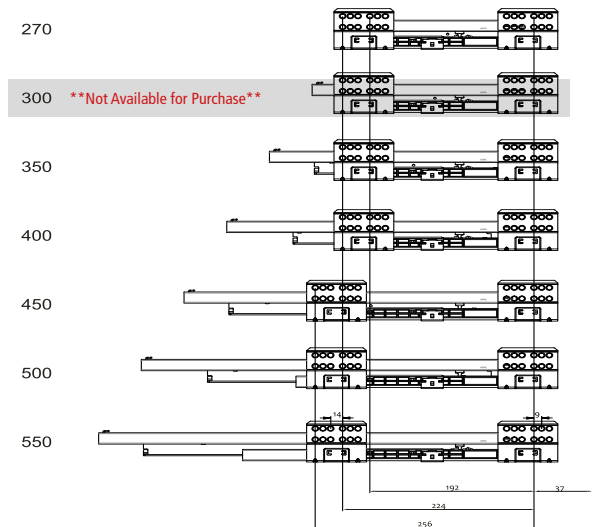
Inner drawing front railing



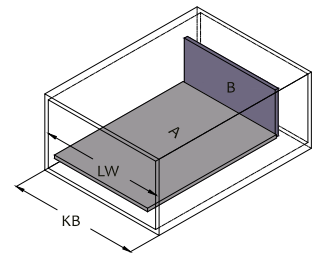
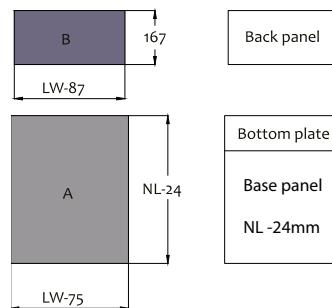
1,200mm long, to be cut LW -98mm

1,200mm long, to be cut LW -85mm

### DRAWER SLIDE DIMENSIONS

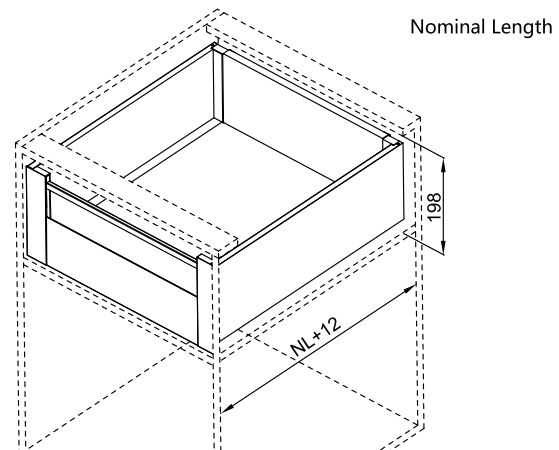
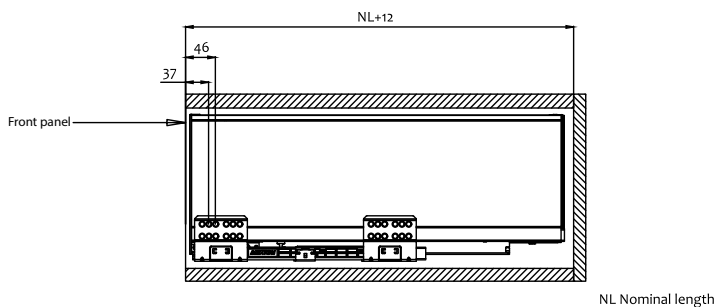


### CUTTING DIMENSIONS



KB : Cabinet width  
LW : Internal cabinet width  
NL : Nominal length

### SPACE REQUIREMENTS



# TOPAZ SLIMLINE DRAWER SYSTEM

## TOPAZ SLIMLINE INNER DRAWER H199

### ▶ H199 Inner Drawer, 199mm high

- 199mm tall drawer
- 40 kg load capacity
- Wide range of drawer lengths NL350 to NL550mm
- 3D drawer front adjustment, up & down  $\pm 1.5$ mm, left & right  $\pm 1.5$ mm
- Available in white



### ▶ H199 Inner Drawer Configuration

#### A TSL1 Soft-closing drawer slides (pair)



LENGTH	CODE
NL270	#
NL350	TSL1.NL350.SC
NL400	TSL1.NL400.SC
NL450	TSL1.NL450.SC
NL500	TSL1.NL500.SC
NL550	TSL1.NL550.SC

#### B TSL2 Drawer sides, 199mm high (pair)



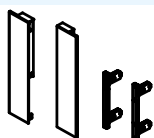
LENGTH	WHITE
NL270	#
NL350	TSL2.H199.350.W
NL400	TSL2.H199.400.W
NL450	TSL2.H199.450.W
NL500	TSL2.H199.500.W
NL550	TSL2.H199.550.W

#### C TSL3 Rear brackets for H199 drawers (pair)



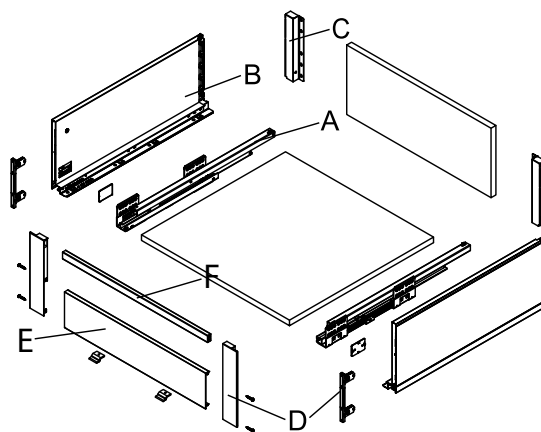
TYPE	WHITE
H199	TSL4.RB199.W

#### D TSL5 Inner drawer front connector brackets for H199 drawers (pair)

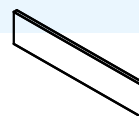


TYPE	WHITE
FOR FLAT PANEL, H199	TSL5.IFCF.H199.W

Component View



#### E TSL5 Inner drawer front panel, 1200mm wide, incl. two front bottom connector brackets



TYPE	WHITE
FLAT PANEL	TSL5.IFPF.1200.W

#### F TSL5 Inner drawer front railing, 1200mm wide



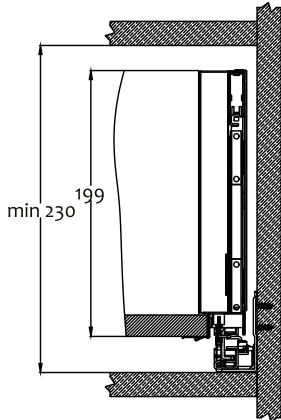
TYPE	WHITE
RECTANGULAR RAILING	TSL5.IFRR.1200.W

# TOPAZ SLIMLINE DRAWER SYSTEM

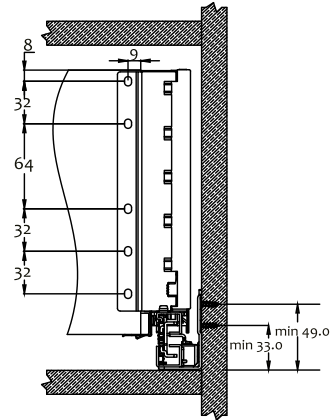
## TOPAZ SLIMLINE INNER DRAWER

### ► H199 Inner Drawer Technical Information

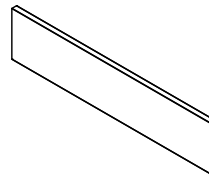
Cabinet space requirement



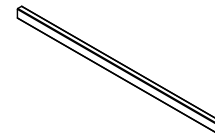
Back panel installation dimensions



Flat panel



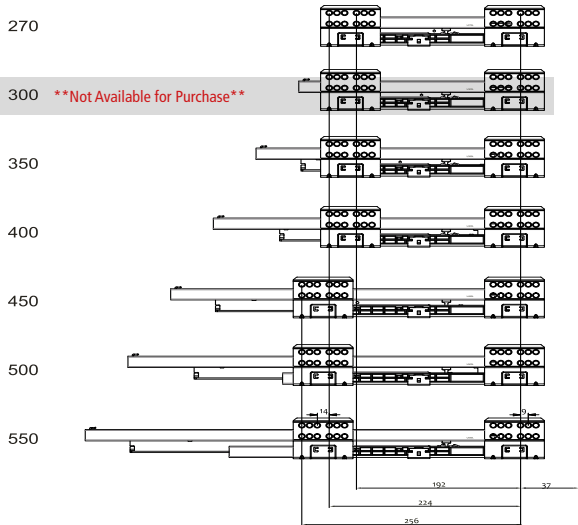
Inner drawing front railing



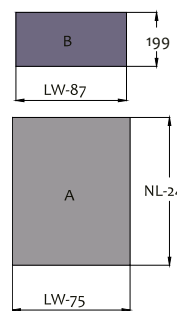
1,200mm long, to be cut LW -98mm

1,200mm long, to be cut LW -85mm

### DRAWER SLIDE DIMENSIONS

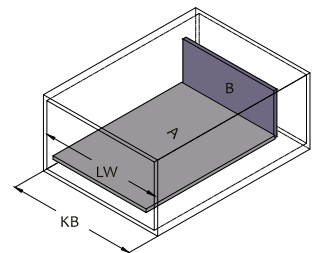


### CUTTING DIMENSIONS



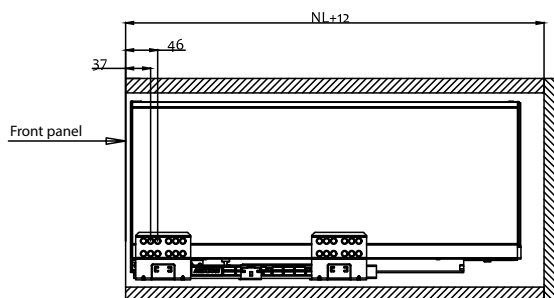
Back panel

Base panel  
NL -24mm

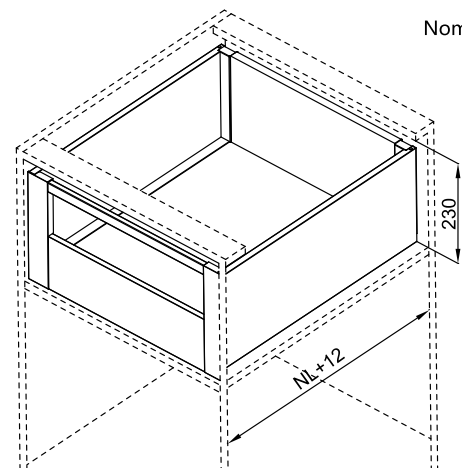


KB : Cabinet width  
LW : Internal cabinet width  
NL : Nominal length

### SPACE REQUIREMENTS



NL Nominal length



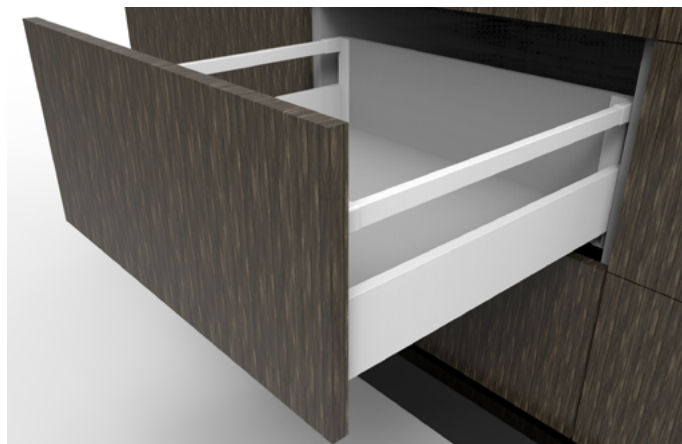
Nominal Length

# TOPAZ SLIMLINE DRAWER SYSTEM

## TOPAZ SLIMLINE RAILING DRAWER

### Railing Drawer

- Tall drawer with side railings
- Can be installed as 167mm or 199mm tall drawer using H86 sides with H167 or H199 rear brackets and side rails
- Alternative installation at any height using choice of side panel height with the respective rear brackets plus floating rear connector clips for the rails
- Synchronised soft-closing slide runners
- 40 kg load capacity
- Wide range of drawer lengths NL400 to NL550mm
- 3D drawer front adjustment, up & down  $\pm 1.5$ mm, left & right  $\pm 1.5$ mm
- Available in white



### Railing Drawer Configuration

#### A TSL1 Soft-closing drawer slides (pair)



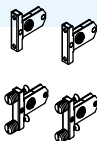
LENGTH	CODE
NL400	TSL1.NL400.SC
NL450	TSL1.NL450.SC
NL500	TSL1.NL500.SC
NL550	TSL1.NL550.SC

#### B TSL2 Drawer sides, 86mm high (pair)



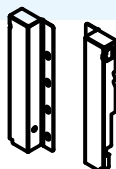
LENGTH	WHITE
NL400	TSL2.H86.400.W
NL450	TSL2.H86.450.W
NL500	TSL2.H86.500.W
NL550	TSL2.H86.550.W

#### C TSL3 Front connector brackets for H86 drawers (pair)



TYPE	WHITE
SCREW-FIX H86	TSL3.FB86.S
EXPANDING DOWEL H86	TSL3.FB86.D

#### D TSL4 Rear brackets for railing drawers (pair)



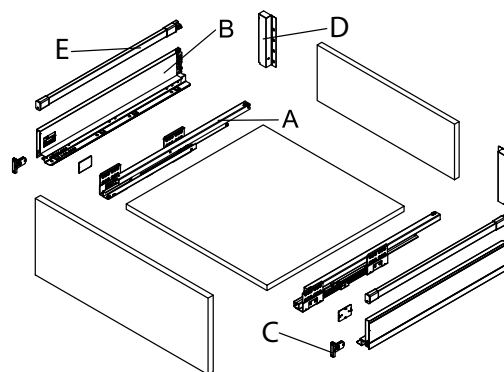
TYPE	WHITE
H167 DRAWER	TSL4.RB167.W
H199 DRAWER	TSL4.RB199.W
ANY HEIGHT	TSL4.RB86.W WITH TSL6.FGRC.W

#### E TSL6 Gallery rails with screw-fix front brackets (pair)

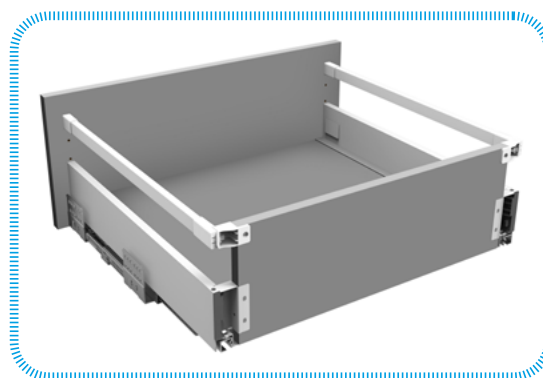
TYPE	WHITE
NL400	TSL6.GR400.W
NL450	TSL6.GR450.W
NL500	TSL6.GR500.W
NL550	TSL6.GR550.W



#### Component View

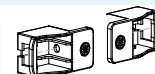


#### FLOATING GALLERY RAIL



#### TSL6 Gallery rail rear connector clips for floating installation, pair (see above inset picture)

TYPE	WHITE
CLIP SET	TSL6.FGRC.W



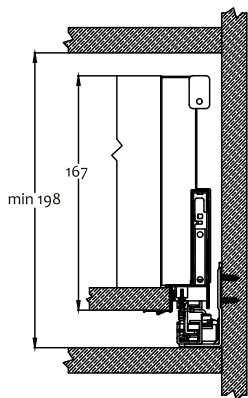


# TOPAZ SLIMLINE DRAWER SYSTEM

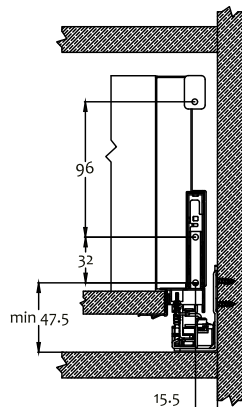
## TOPAZ SLIMLINE RAILING DRAWER

### ► H167 Railing Drawer Technical Information

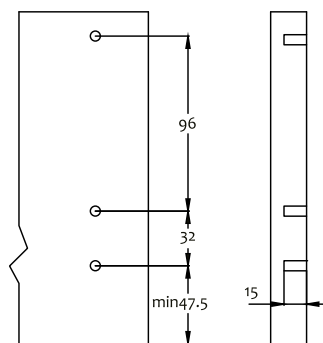
Cabinet space requirement H167



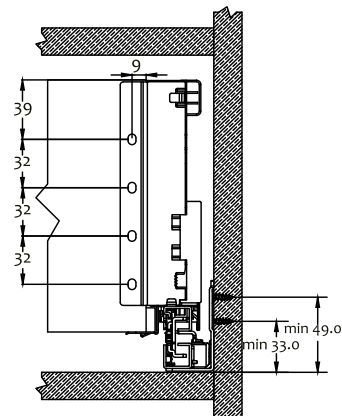
Mounting dimensions Front brackets, H167



Drilling dimensions Front panel, H167

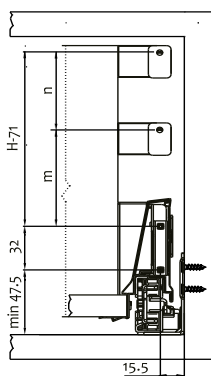


Mounting dimensions Back panel, H167

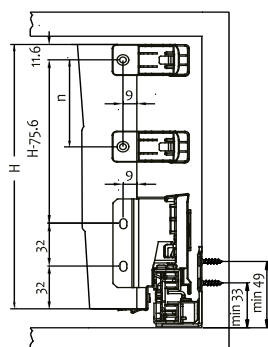


### FLOATING GALLERY RAIL DRAWER DIMENSIONS (EXAMPLE)

Front connector panel installation dimensions

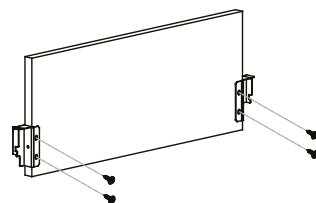
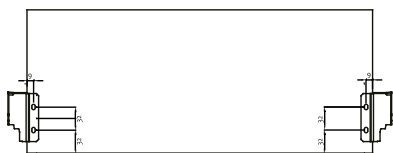


Back panel installation dimensions



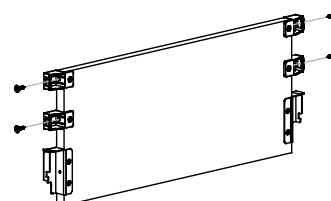
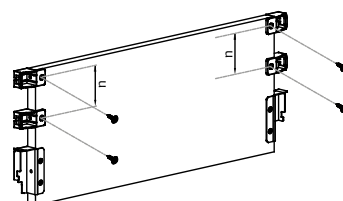
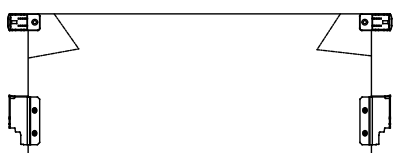
### FLOATING GALLERY RAIL DRAWER INSTALLATION

#### 1. H86 back bracket installation



#### 2. Floating gallery rail connector clip installation

#### Two step fixing



# TOPAZ SLIMLINE DRAWER SYSTEM

## PART NUMBER INDEX

TSL1.NL270.SC .....	8.10.12.14.16.20
TSL1.NL350.SC .....	8.10.12.14.16.18.20.22
TSL1.NL400.SC .....	8.10.12.14.16.18.20.22.24
TSL1.NL450.SC .....	8.10.12.14.16.18.20.22.24
TSL1.NL500.SC .....	8.10.12.14.16.18.20.22.24
TSL1.NL550.SC .....	8.10.12.14.16.18.20.22.24
TSL2.H86.270.W.....	8.16
TSL2.H86.350.W.....	8.16
TSL2.H86.400.DG.....	8
TSL2.H86.400.W.....	8.16.24
TSL2.H86.450.W.....	8.16.24
TSL2.H86.500.DG.....	8
TSL2.H86.500.W.....	8.16.24
TSL2.H86.550.W.....	8.16.24
TSL2.H118.350.W.....	10.18
TSL2.H118.400.W.....	10.18
TSL2.H118.450.W.....	10.18
TSL2.H118.500.DG.....	10.18
TSL2.H118.550.W.....	10.18
TSL2.H167.270.W.....	12.20
TSL2.H167.350.W.....	12.20
TSL2.H167.400.DG.....	12
TSL2.H167.400.W.....	12.20
TSL2.H167.450.W.....	12.20
TSL2.H167.500.DG.....	12
TSL2.H167.500.W.....	12.20
TSL2.H167.550.W.....	12.20
TSL2.H199.350.W.....	14.22
TSL2.H199.400.W.....	14.22
TSL2.H199.450.W.....	14.22
TSL2.H199.500.DG.....	14
TSL2.H199.500.W.....	14.22
TSL2.H199.550.W.....	14.22
TSL3.FB86.D .....	8.24
TSL3.FB86.S .....	8.24
TSL3.FB118.D .....	10
TSL3.FB118.S .....	10
TSL3.FB167.199.D .....	12.14
TSL3.FB167.199.S .....	12.14
TSL4.RB86.DG .....	8
TSL4.RB86.W .....	8.16
TSL4.RB86.W WITH TSL6.FGRC.W .....	24
TSL4.RB118.DG .....	10
TSL4.RB118.W .....	10.18
TSL4.RB167.DG .....	12
TSL4.RB167.W .....	12.20.24
TSL4.RB199.DG .....	14
TSL4.RB199.W .....	14.22.24
TSL5.IFCF.H86.W.....	16
TSL5.IFCF.H118.W.....	18
TSL5.IFCF.H167.W.....	20
TSL5.IFCF.H199.W.....	22
TSL5.IFCG.H118.W.....	18
TSL5.IFPF.1200.W.....	16.18.20.22
TSL5.IFPG.1200.W.....	16.18
TSL5.IFRR.1200.W.....	20.22
TSL6.FGRC.W .....	24
TSL6.GR400.W .....	24
TSL6.GR450.W .....	24
TSL6.GR500.W .....	24
TSL6.GR550.W .....	24





**CABINET HARDWARE SYSTEMS**

# TOPAZ SLIMLINE DRAWER SYSTEM

# #DSY-TSL 3.0

## Australia

1800 008 591 | [www.artia.com.au](http://www.artia.com.au)

**VICTORIA:**

235 Settlement Road,  
Thomastown VIC 3074

**NEW SOUTH WALES:**

6 Nello Place,  
Wetherill Park NSW 2164

**QUEENSLAND:**

Building 2/660 MacArthur  
Avenue, Pinkenba QLD 4008

**SOUTH AUSTRALIA:**

13 Rosberg Road,  
Wingfield SA 5013

**WESTERN AUSTRALIA:**

Unit 5/1 Dellamarta Road,  
Wangara WA 6065

## New Zealand

0800 267 625 | [www.artia.co.nz](http://www.artia.co.nz)

**AUCKLAND:**

11 Bruce Roderick Drive,  
East Tamaki, Auckland 2013

**CHRISTCHURCH:**

117 Wrights Road,  
Addington, Christchurch 8024